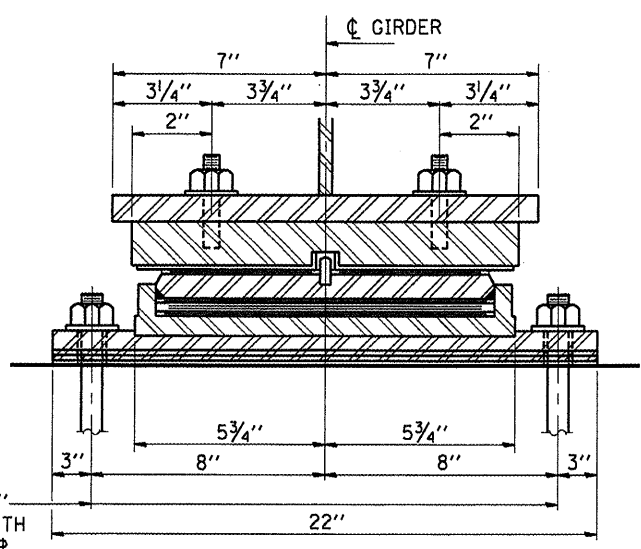
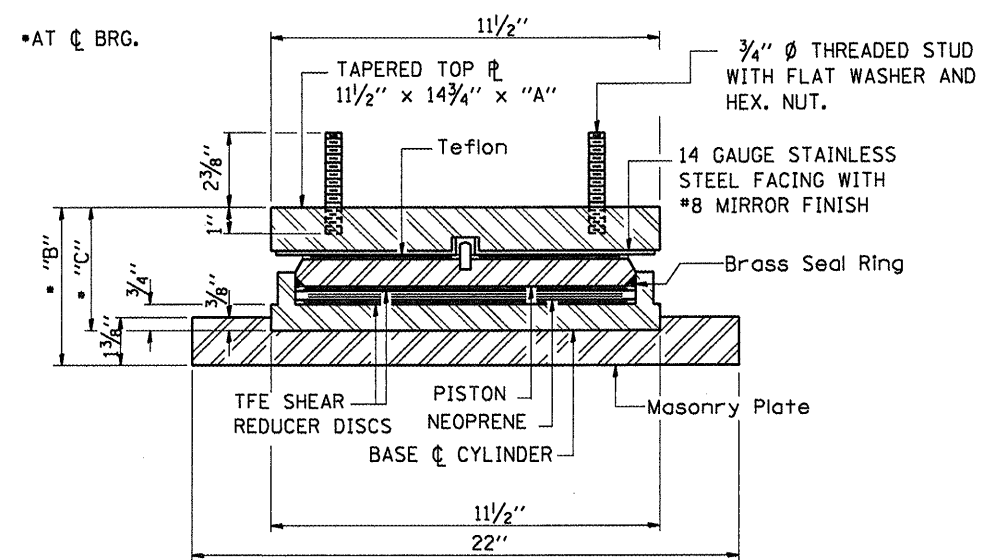


**ELEVATION AT PIER 6 (SPAN 7)
PIER 9 (SPANS 9 & 10) AND PIER 12 (SPAN 1)**



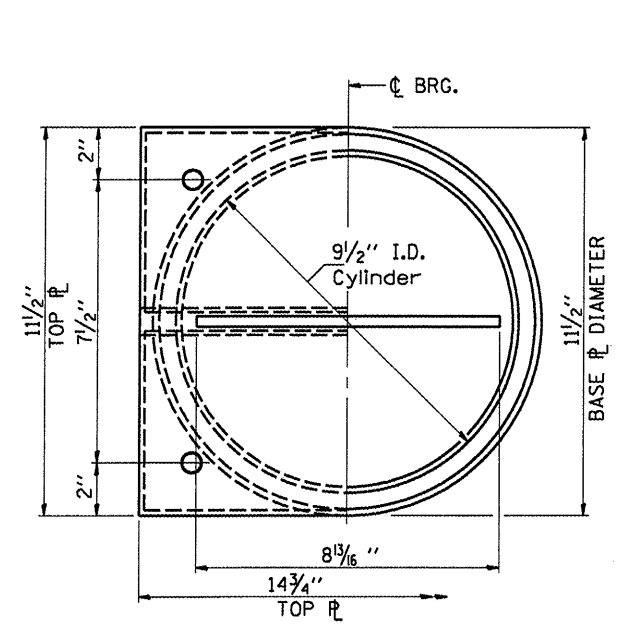
SECTION A-A



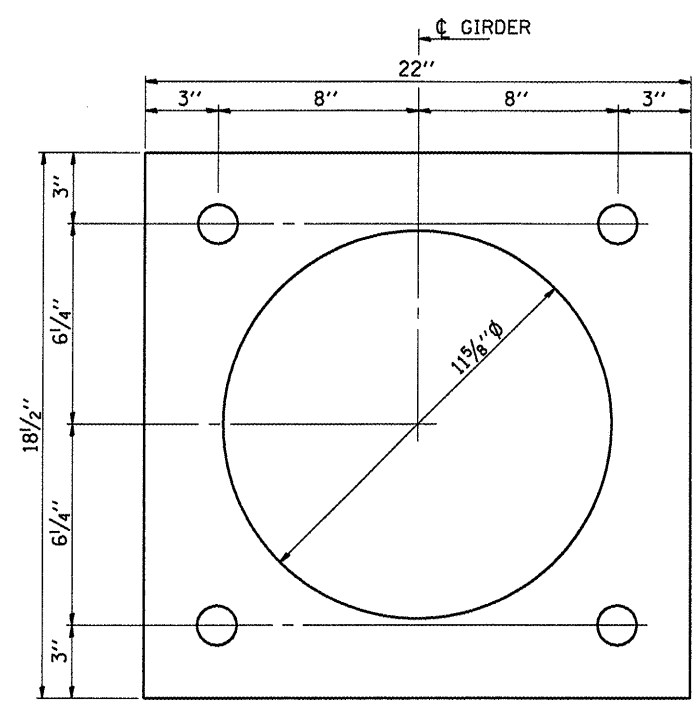
BEARING ASSEMBLY

REQUIRED SHIM PLATE
1/8" x 18 1/2" x 22"
FOR ALL GIRDERS
@ PIER 9 (SPAN 9) ONLY.
1/2" x 21" ANCHOR BOLTS WITH
3" x 3" x 5/16" PLATE
WASHER UNDER NUT.

EXPANSION FLOATING BEARING



**CUT-AWAY PLAN
(HALF OF TOP PLATE SHOWN)**



MASONRY PLATE DETAIL

DIMENSIONS "A", "B", "C" & "D"

Location	"A"	"B"	"C"	"D"
Pier 6 (Span 7)	2 5/16"	5 5/8"	4 5/8"	1/8"
Pier 9 (Spans 9 & 10)	2 7/16"	5 1/16"	4 11/16"	1/8"
Pier 12 (Span 12)	2 7/16"	5 11/16"	4 11/16"	1/8"

**BEARING DETAILS
PIER 6 - SPAN 7
PIER 9 SPANS 9 & 10
PIER 12 - SPAN 12
FAP RTE 46 SEC (1-BD)BP
LASALLE COUNTY
STA 204+67.75
SN 050-0079**