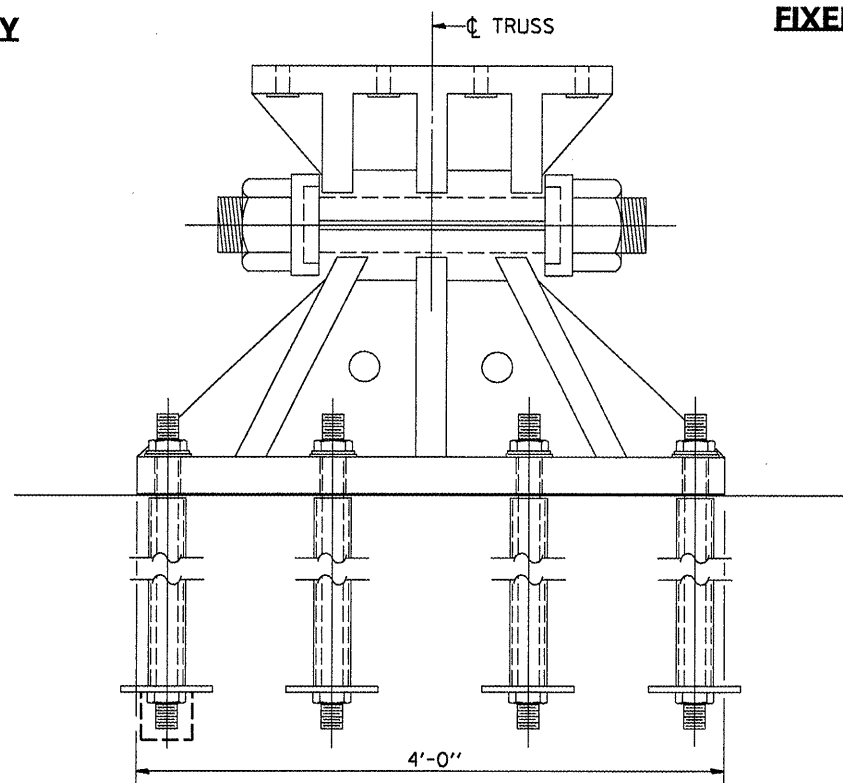


**FIXED SHOE ASSEMBLY
(AT PIER 4)**

**FIXED SHOE ASSEMBLY
(AT PIER 5)**



VIEW A-A

**BEARING DETAILS
FIXED BEARINGS AT PIERS 4 & 5
FAP RTE 46 SEC (1-BD)BP
LASALLE COUNTY
STA 204+67.75
SN 050-0079**

FILE NAME =	USER NAME = woodshankr1	DESIGNED = RON WOODSHANK	REVISED =
c:\pwork\pwork\WOODSHANKR1\dms29370	d366854-shr-details.dgn	DRAWN = RON WOODSHANK	REVISED =
	PLOT SCALE = 100.0000 / IN.	CHECKED =	REVISED =
	PLOT DATE = Oct 15, 2008 - 07:08:14 AM	DATE =	REVISED =

**STATE OF ILLINOIS
DEPARTMENT OF TRANSPORTATION**

FOR INFORMATION ONLY

SCALE: SHEET NO. 30 OF 30 SHEETS STA. 193+08.08 TO STA. 216+13.82

F.A.P. RTE.	SECTION	COUNTY	TOTAL SHEETS	SHEET NO.
46	(1-BD)BP	LASALLE	38	38
FED. ROAD DIST. NO. ILLINOIS FED. AID PROJECT			CONTRACT NO. 66854	