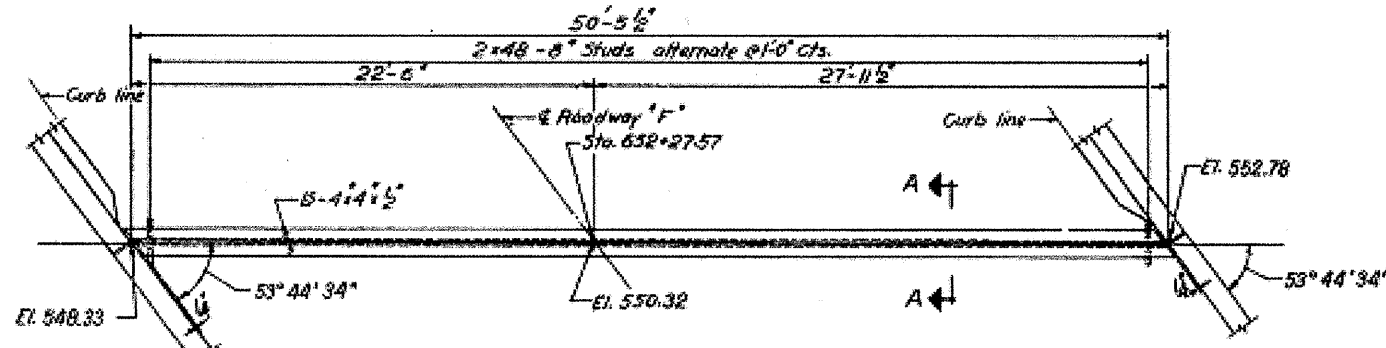
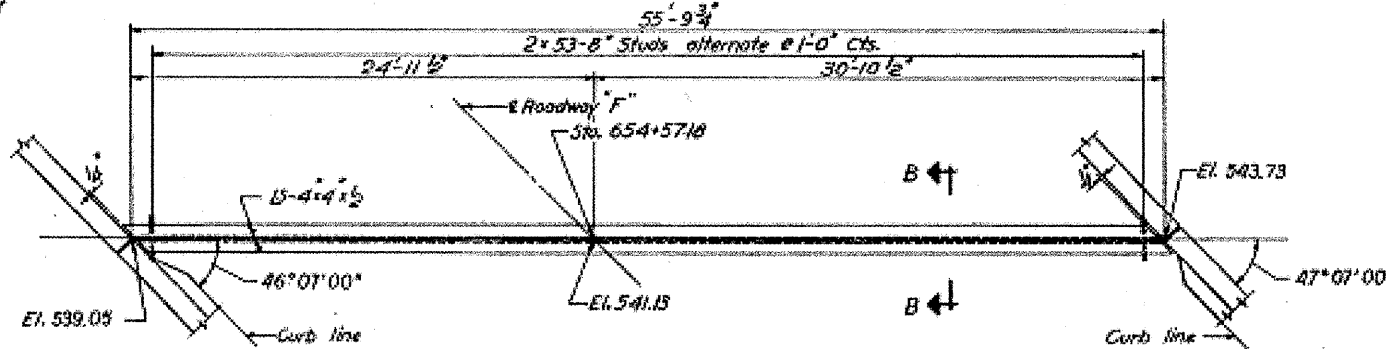


ROUTE NO.	SECTION	COUNTY	TOTAL SHEETS	SHEET NO.
F. A. I. - 180	06-2HB-4	BUREAU	103	16
FED. ROAD DIST. NO. 4		ILLINOIS	PROJECT	

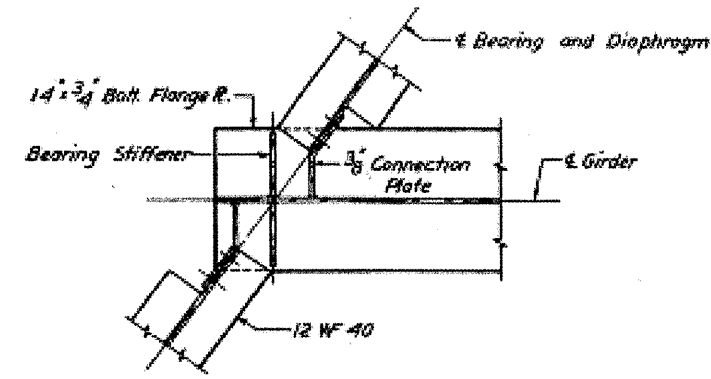


PLAN WEST ABUT.

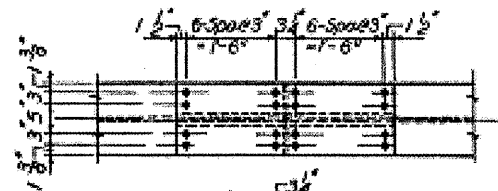


PLAN EAST ABUT.

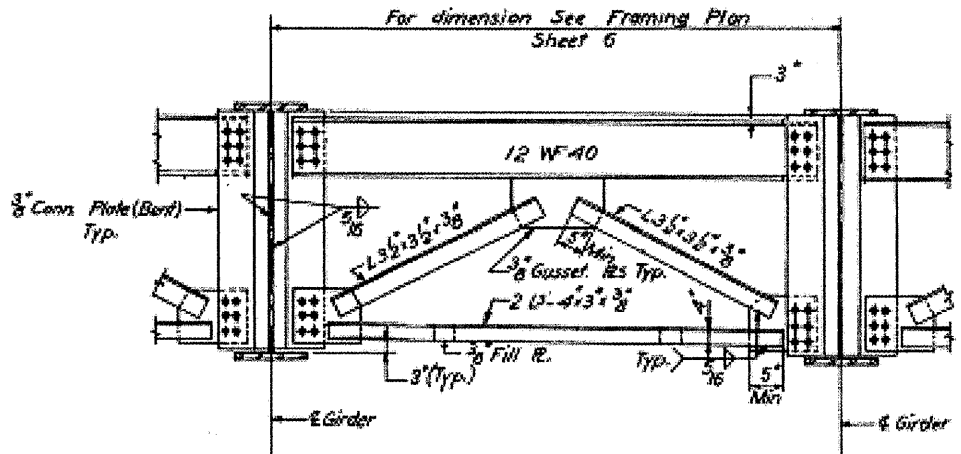
EXPANSION DEVICES



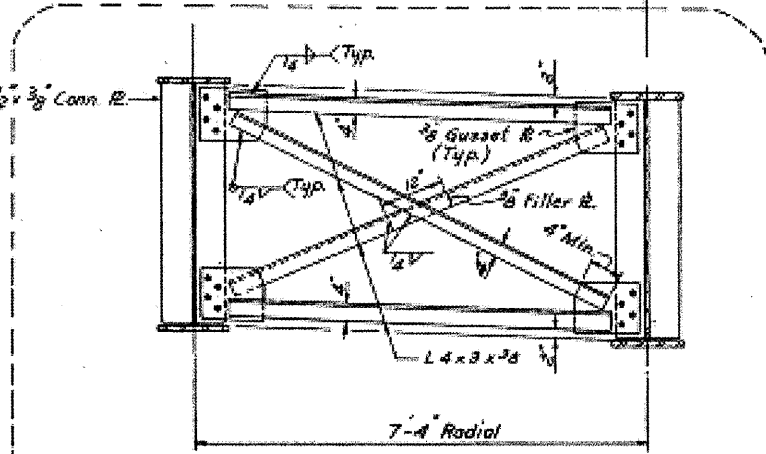
DETAIL AT END DIAPHRAGM



FIELD SPICE DETAIL



END DIAPHRAGM 'D'



INTERMEDIATE DIAPHRAGM 'DI'

Note:
Rivet Spacing in Flange Splices to be increased as required where stiffener occurs
3/4" R.S. Bolts in all web splices.
7/8" R.S. Bolts in all Flange splices.
For Sections A-A & B-B see Sheet 4

BRIDGE NO. 8
STATE OF ILLINOIS
DEPARTMENT OF PUBLIC WORKS & BLDGS.
DIVISION OF HIGHWAYS
STEEL DETAILS
ROADWAY "F" OVER ROADWAY "G"
STATION 653+47.92
F. A. I. RT. 180 BUREAU COUNTY SECTION 06-2HB-4
E. W. LOCKNER, INC.
ENGINEERS
CHICAGO, ILLINOIS

FOR INFORMATION ONLY

DESIGNED BY: R.X.
DRAWN BY: R.A.
CHECKED BY: R.B.
APPROVED BY: R.A.

Revision 11-2-67 A.J.C.