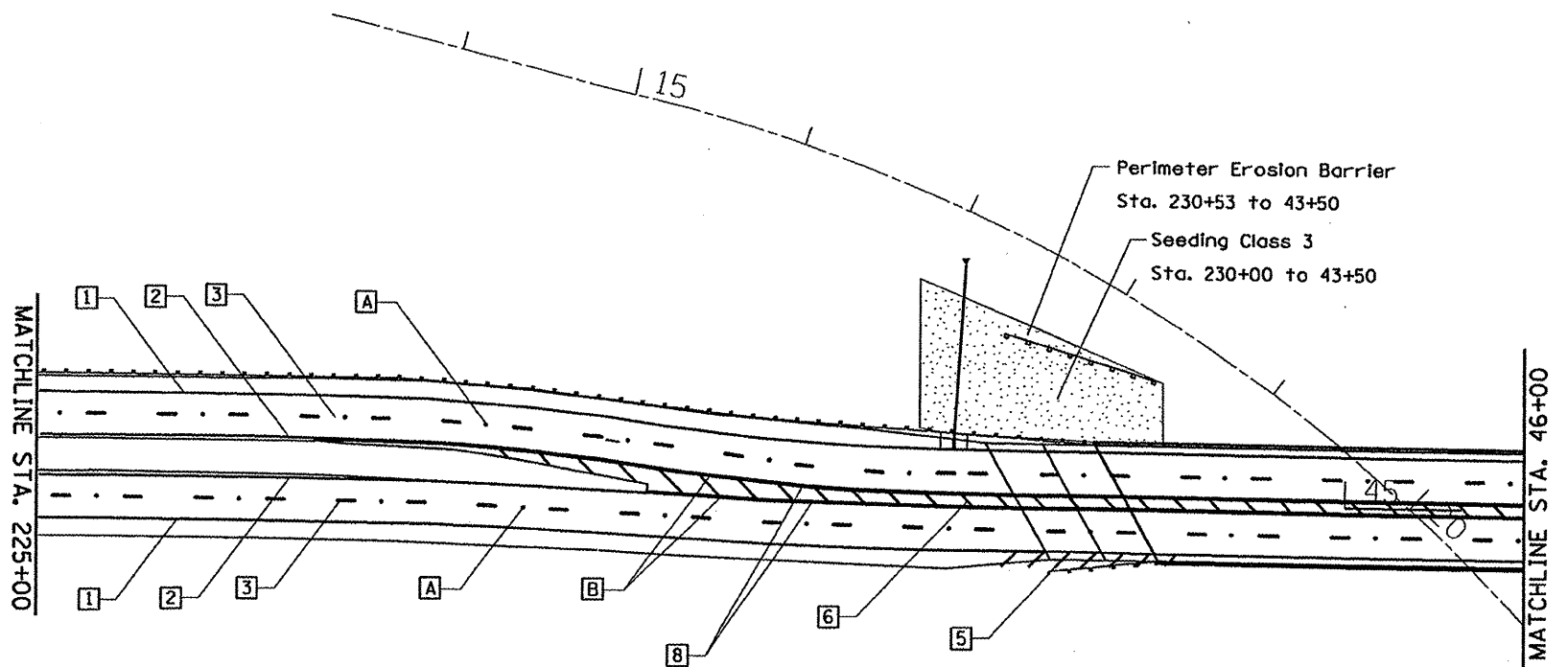


PAVEMENT MARKINGS LEGEND	
1	4" SOLID (WHITE)
2	4" SOLID (YELLOW)
3	6" SKIP DASH (WHITE) TAPE
4	8" SOLID (WHITE)
5	12" SOLID (WHITE)
6	12" SOLID (YELLOW)
7	24" SOLID (WHITE)
8	4" DOUBLE SOLID (YELLOW)
9	LETTERS & SYMBOLS (WHITE)
A	1-WAY CRYSTAL
B	1-WAY AMBER
C	2-WAY AMBER



	Perimeter Erosion Barrier
	Temporary Ditch Check
	Seeding Class 3
	Temporary Erosion Control Seeding

FILE NAME =	USER NAME = everscl	DESIGNED -	REVISED -
C:\Documents and Settings\everscl\Desktop\Harmon Highway/misc.dgn		DRAWN -	REVISED -
Revised 11/2008	PLOT SCALE = 100.0000' / IN.	CHECKED -	REVISED -
	PLOT DATE = 11/17/2008	DATE -	REVISED -

**STATE OF ILLINOIS
DEPARTMENT OF TRANSPORTATION**

**Temporary Erosion Control,
Landscaping & Pavement Markings**

F.A.U. RTE.	SECTION	COUNTY	TOTAL SHEETS	SHEET NO.
6758	(I-RI),(I-VC)BR	PEORIA	142	42
FED. ROAD DIST. NO. ILLINOIS FED. AID PROJECT			CONTRACT NO. 68092	

SCALE: SHEET NO. OF SHEETS STA. TO STA.