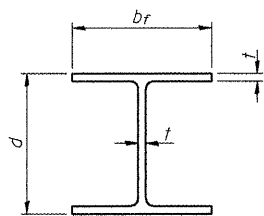
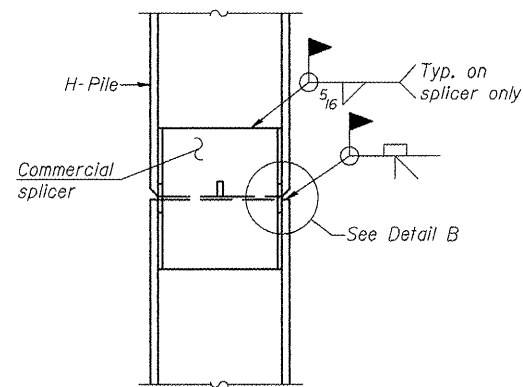


STATE OF ILLINOIS  
DEPARTMENT OF TRANSPORTATION

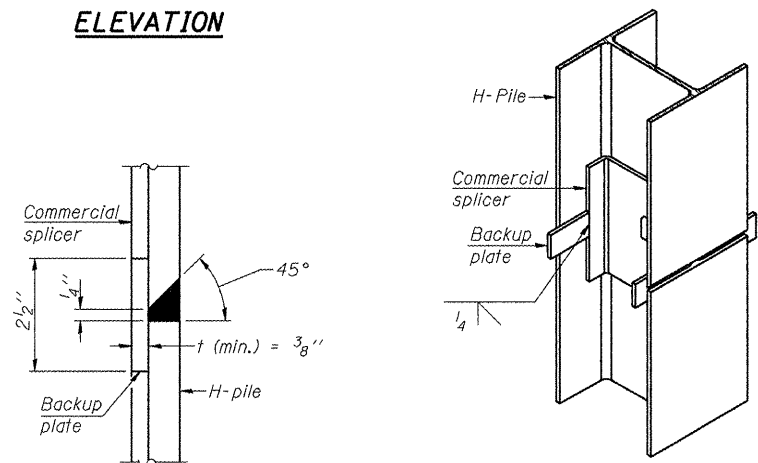


STEEL PILE TABLE

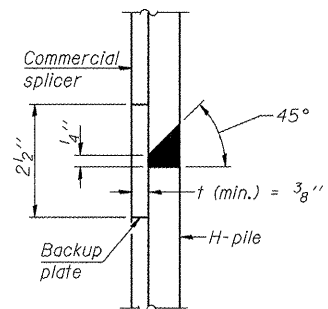
Designation	Depth d	Flange width bf	Web and Flange thickness t	Encasement diameter A
HP 14x117	14 1/4"	14 7/8"	13/16"	30"
x102	14"	14 3/4"	1/16"	30"
x89	13 7/8"	14 3/4"	5/8"	30"
x73	13 5/8"	14 5/8"	1/2"	30"
HP 12x84	12 1/4"	12 1/4"	1/16"	24"
x74	12 1/8"	12 1/4"	5/8"	24"
x63	12"	12 1/8"	1/2"	24"
x53	11 3/4"	12"	7/16"	24"
HP 10x57	10"	10 1/4"	9/16"	24"
x42	9 3/4"	10 1/8"	7/16"	24"
HP 8x36	8"	8 1/8"	7/16"	18"



ELEVATION

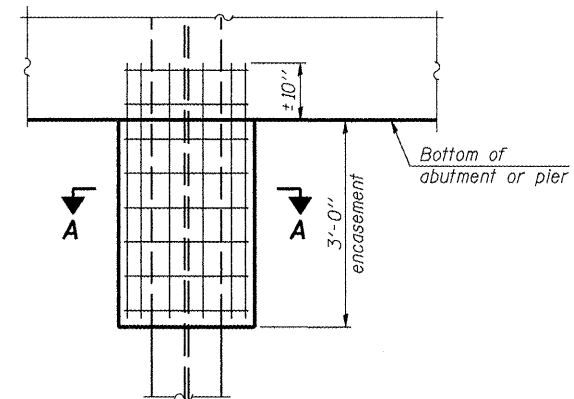


ISOMETRIC VIEW



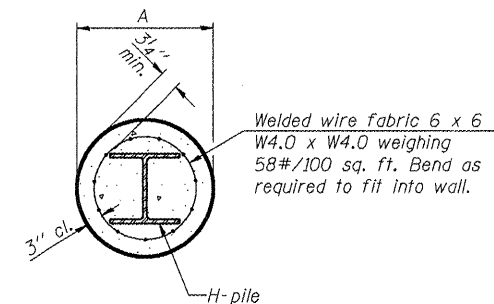
DETAIL "B"

WELDED COMMERCIAL SPLICE



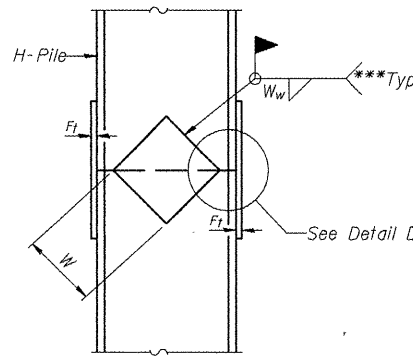
ELEVATION

PILE ENCASEMENT

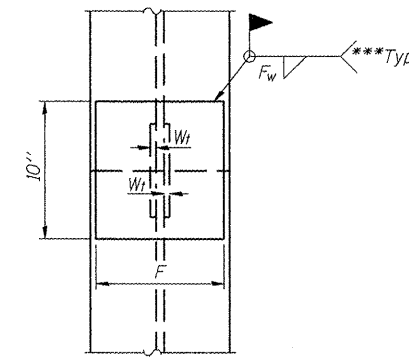


SECTION A-A

Note: Forms for encasement may be omitted when soil conditions permit.



ELEVATION

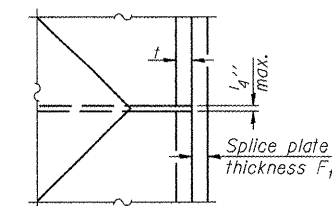


END VIEW

Designation	F	F <sub>t</sub>	F <sub>w</sub>	W	W <sub>t</sub>	W <sub>w</sub>
HP 14x117	12 1/2"	1"	7/8"	7 3/4"	5 1/2"	1/2"
x102	12 1/2"	7/8"	3/4"	7 3/4"	5 1/2"	1/2"
x89	12 1/2"	3/4"	1/16"	7 3/4"	5 1/2"	1/2"
x73	12 1/2"	5/8"	9/16"	7 3/4"	5 1/2"	1/2"
HP 12x84	10"	7/8"	1/16"	6 1/2"	5 1/2"	1/2"
x74	10"	7/8"	1/16"	6 1/2"	5 1/2"	1/2"
x63	10"	5/8"	1/2"	6 1/2"	1/2"	3/8"
x53	10"	5/8"	1/2"	6 1/2"	1/2"	3/8"
HP 10x57	8"	3/4"	9/16"	5 1/4"	1/2"	3/8"
x42	8"	5/8"	9/16"	5 1/4"	1/2"	3/8"
HP 8x36	7"	5/8"	7/16"	4 1/4"	1/2"	3/8"

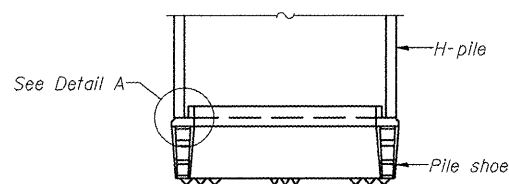
WELDED PLATE FIELD SPLICE

Note: The steel H-piles shall be according to AASHTO M270 Grade 50.

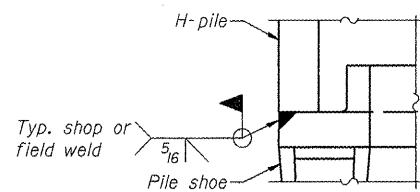


DETAIL D

PILE DETAILS  
AIRPORT ROAD OVER U.P.R.R.  
AND KICKAPOO CREEK TRIBUTARY  
STATION 45+42.00

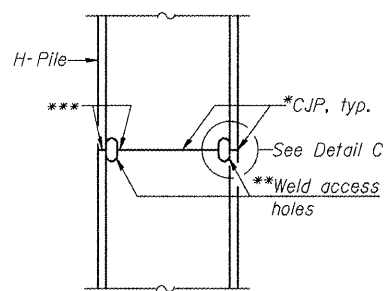


ELEVATION



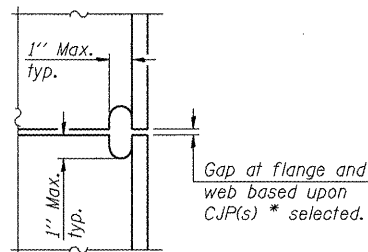
DETAIL A

H-PILE SHOE ATTACHMENT



ELEVATION

COMPLETE PENETRATION WELD SPLICE



DETAIL C

\*Use joint conforming to Figure 3.4 in AWS D1.1, Structure Welding Code-Steel.  
\*\*Preparation per Fig. 5.2 in AWS D1.1, Structure Welding Code-Steel.  
\*\*\*Interrupt welds 1/4" from end of each pile.

DESIGNED P.J.L.
CHECKED LLV
DRAWN MGM
CHECKED P.J.L.

<b>STS   AECOM</b> 111 NE Jefferson Avenue Peoria, IL 61602 T 309.676.8464 Fax 309.676.5445 IL Design Firm Reg. No. 184-001518 www.stsconsultants.com	SHEET NO. 22	F.A.U. RTE.	SECTION	COUNTY	TOTAL SHEETS	SHEET NO.
	OF	6578	(1-R)RS(1-VC)BR	PEORIA	142	82
	33 SHEETS	STRUCTURE NO. 072-0201		CONTRACT NO. 68092		
		FED. ROAD DIST. NO. - ILLINOIS FED. AID PROJECT				