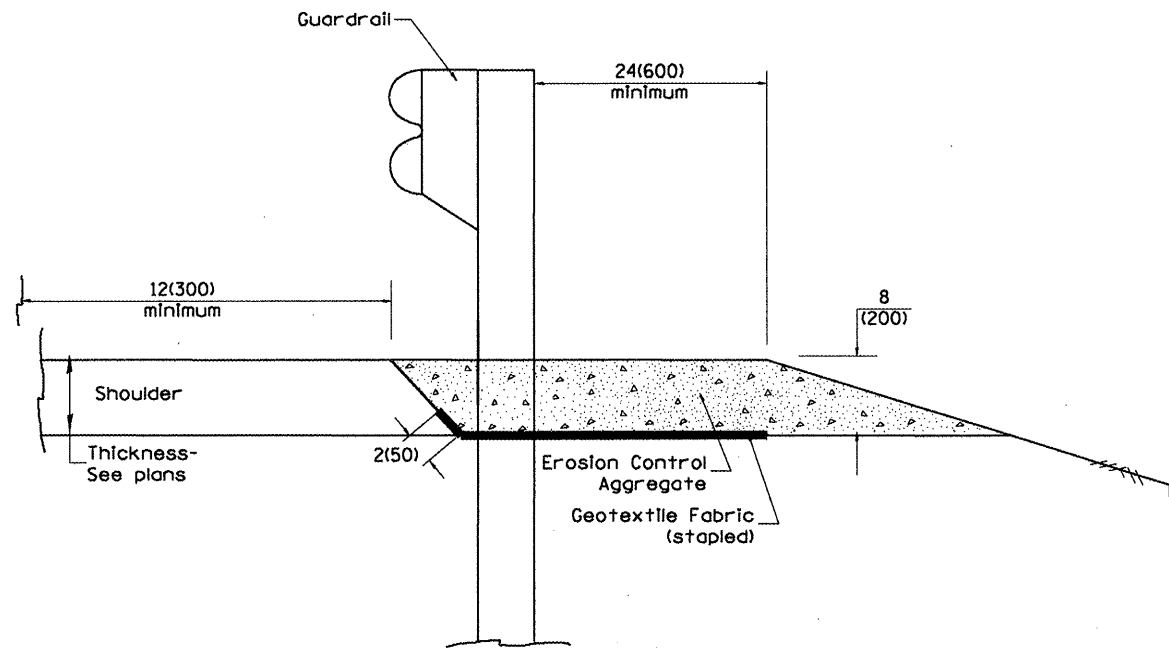


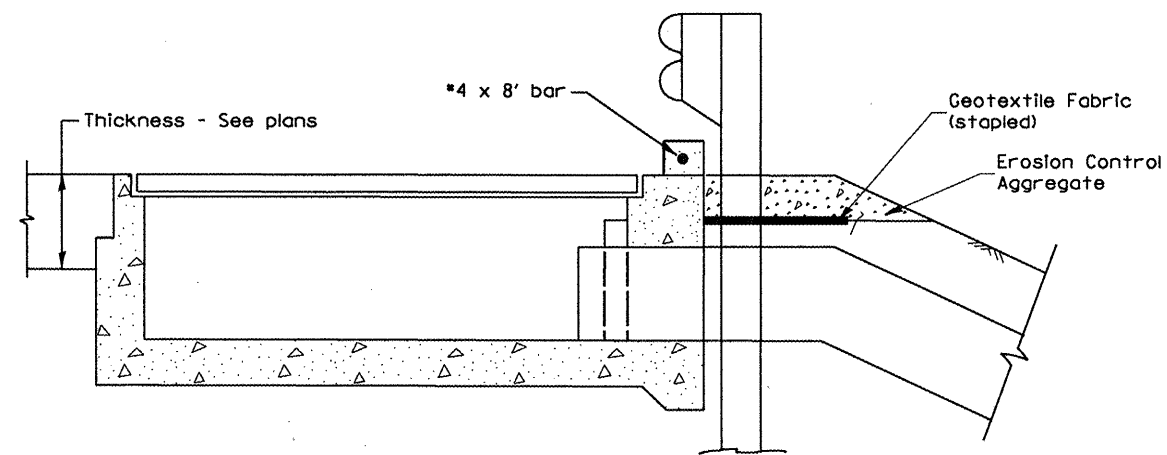
TYPICAL SECTION WITH B-6.24 CURB



TYPICAL SECTION WITHOUT EROSION CONTROL CURB

GENERAL NOTES: GUARDRAIL AGGREGATE EROSION CONTROL

1. This work shall consist of grading as needed, furnishing and installing geotextile fabric and staples, and furnishing, placing and shaping crushed aggregate around and behind Steel Plate Beam Guardrail posts in accordance with Plan Details.
2. Before placing the aggregate and the Geotextile Fabric, weeds and grass shall be removed from the area to be covered.
3. After the area has been prepared, and in a dry condition, the Geotextile fabric shall be placed with a 12(300) minimum overlap. A knife cut for guardrail post installation is necessary.
4. The aggregate shall be deposited, compacted and shaped by either mechanical or hand methods, in a manner reasonably true to line and grade.
5. The Contractor shall have the option of placing the guardrail before or after the Geotextile Fabric and Aggregate are in place. If the guardrail is placed after the Geotextile Fabric and Aggregate, then any voids must be filled and the aggregate returned to line and grade.
6. Materials shall meet the following requirements:
 - A. The crushed aggregate shall be CA1 gradation in accordance with Article 1004.01(c) of the Standard Specifications.
 - B. The Geotextile Fabric shall be nonwoven fabric in accordance with Article 1080.02 of the Standard Specifications.



TYPICAL SECTION WITH B-6.24 CURB
AT INLETS TYPE E & F (STANDARD 610001)

FILE NAME =	USER NAME = loynedm	DESIGNED -	REVISED -	STATE OF ILLINOIS DEPARTMENT OF TRANSPORTATION	GUARDRAIL EROSION CONTROL TREATMENTS	F.A.J. RTE.	SECTION	COUNTY	TOTAL SHEETS	SHEET NO.
S:\GEN\DRIFT\STD&PLNS\Squad1\68092 Airport Road\plan01.dgn	DRAWN -	REVISED -	REVISED -			6578	(1-RIRS (1-VC)BR	Peoria	192	104
PLOT SCALE = 1/8"=1'-0"	CHECKED -	REVISED -	REVISED -			CONTRACT NO. 68092				
PLOT DATE = 10/17/2008	DATE -	REVISED -	REVISED -			FED. ROAD DIST. NO. [ILLINOIS] FED. AID PROJECT				
						SCALE:	SHEET NO.	OF	SHEETS	STA. TO STA.