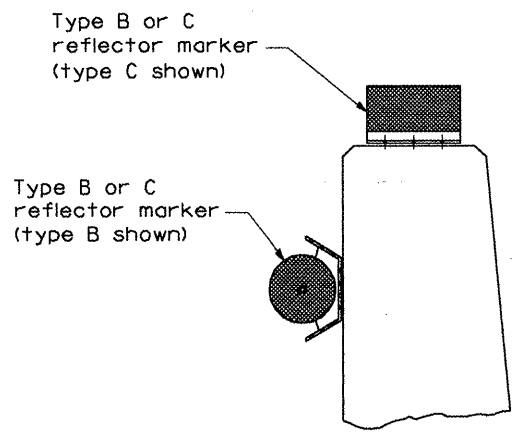
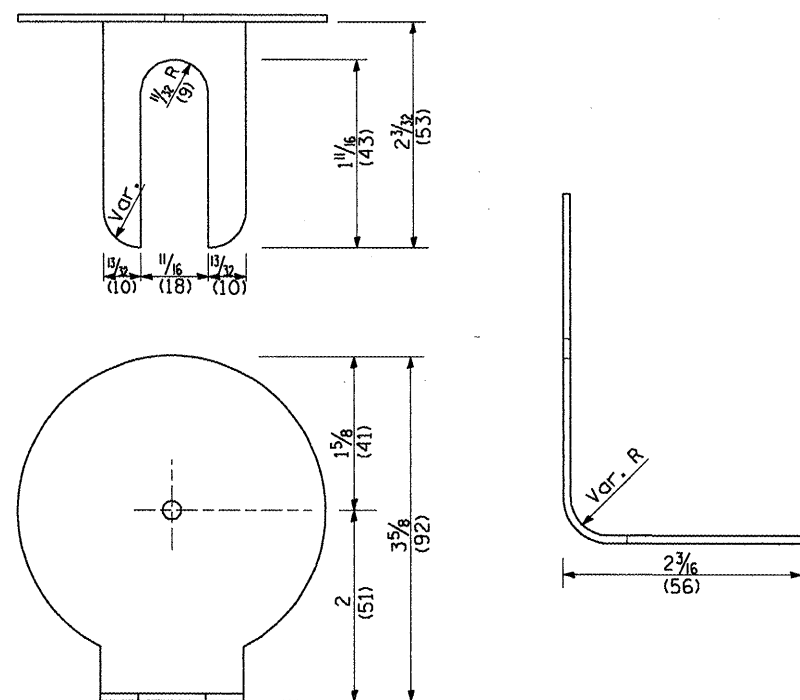


TYPICAL MOUNTING DETAIL FOR BRIDGE RAIL REFLECTOR



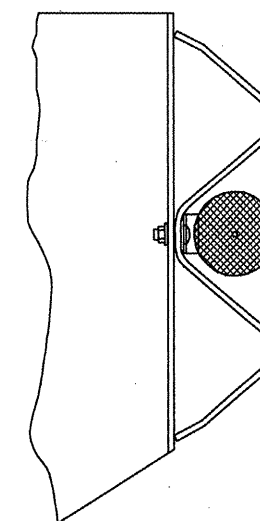
TYPICAL MOUNTING DETAIL FOR BARRIER WALL REFLECTOR

REFLECTOR MOUNTING

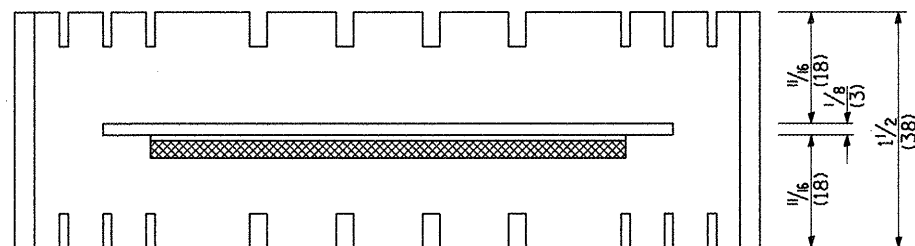


REFLECTOR MARKER TYPE A

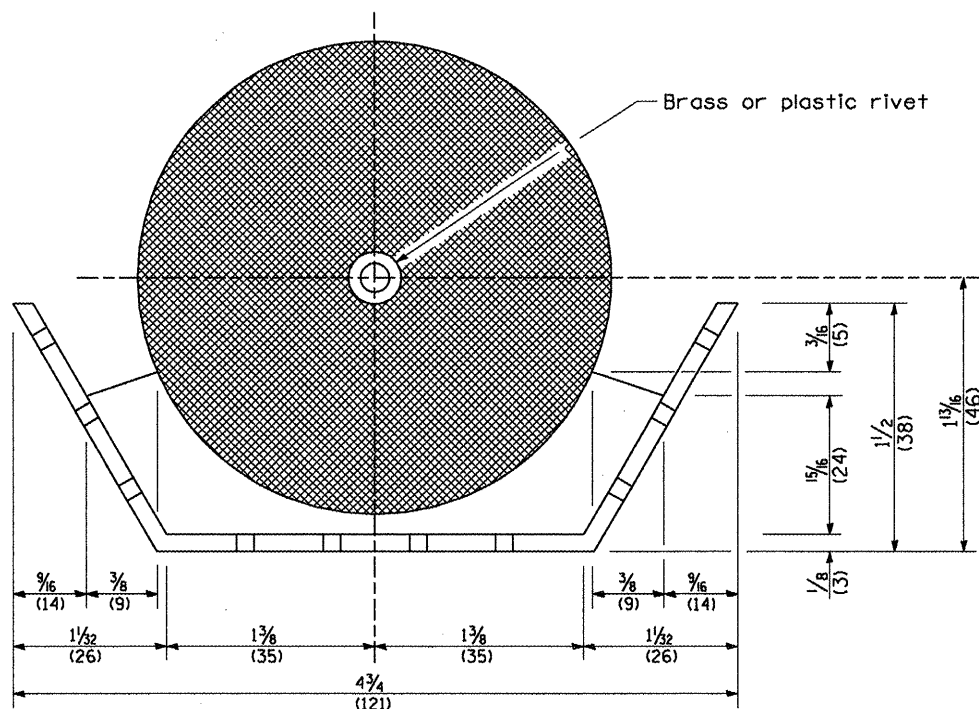
Min. reflective area 6 1/2 sq. in. (4,194 mm²) each side. May be rectangular or slight trapezoid.



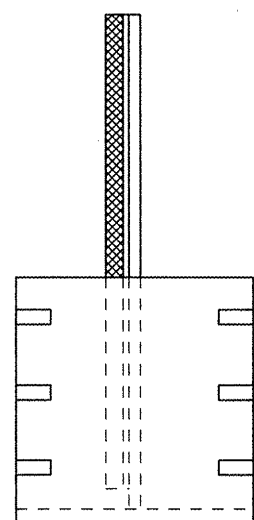
TYPICAL GUARDRAIL MOUNTING WITH REFLECTOR MARKER TYPE A



Adhesive weep slots or holes equally spaced on both sides

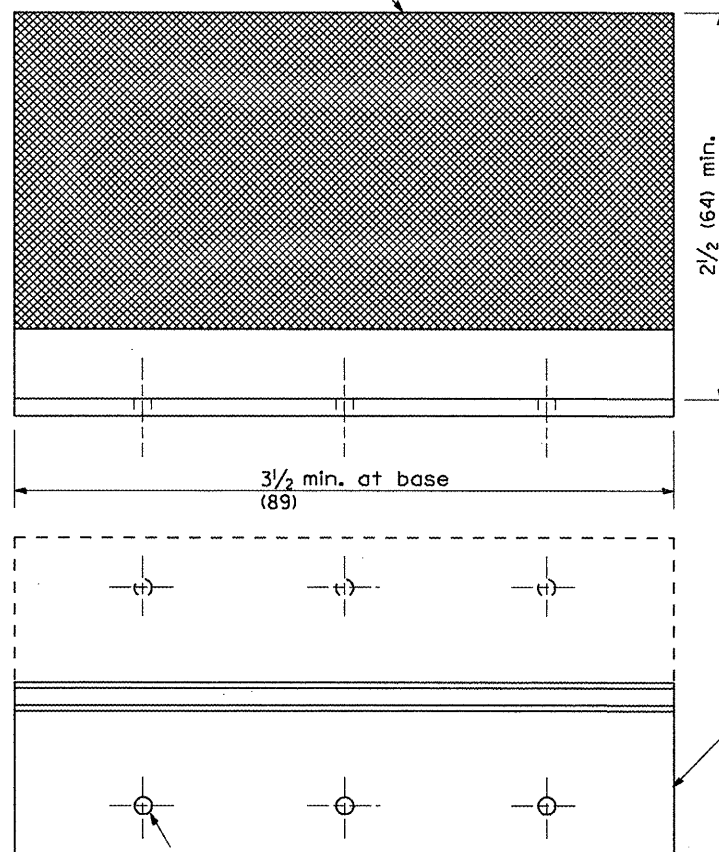


REFLECTOR MARKER TYPE B



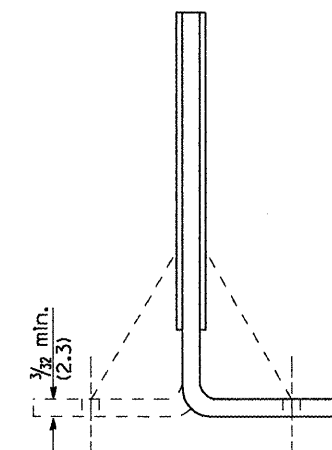
Brass or plastic rivet

3 min. adhesive weep holes or slots each side, variable spacing.



REFLECTOR MARKER TYPE C

Minimum total area of base 7.0 Sq. in. (4,516 mm²)



Cross section may be "T" or "L" shaped and may have side supports at ends.

REFLECTORS

All dimensions are in inches (millimeters) unless otherwise noted.

--	--	--	--	--	--	--	--	--	--

STATE OF ILLINOIS
DEPARTMENT OF TRANSPORTATION

GUARDRAIL AND BARRIER WALL DELINEATION
NOT TO SCALE

F.A.U. RTE.	SECTION	COUNTY	TOTAL SHEETS	SHEET NO.
6578	(1-RIRS, (1-VCIBR	PEORIA	192	139
FED. ROAD DIST. NO.			ILLINOIS FED. AID PROJECT	

SHT. 3 OF 3
CADD STD. 635101-D4

CONTRACT NO. 68092