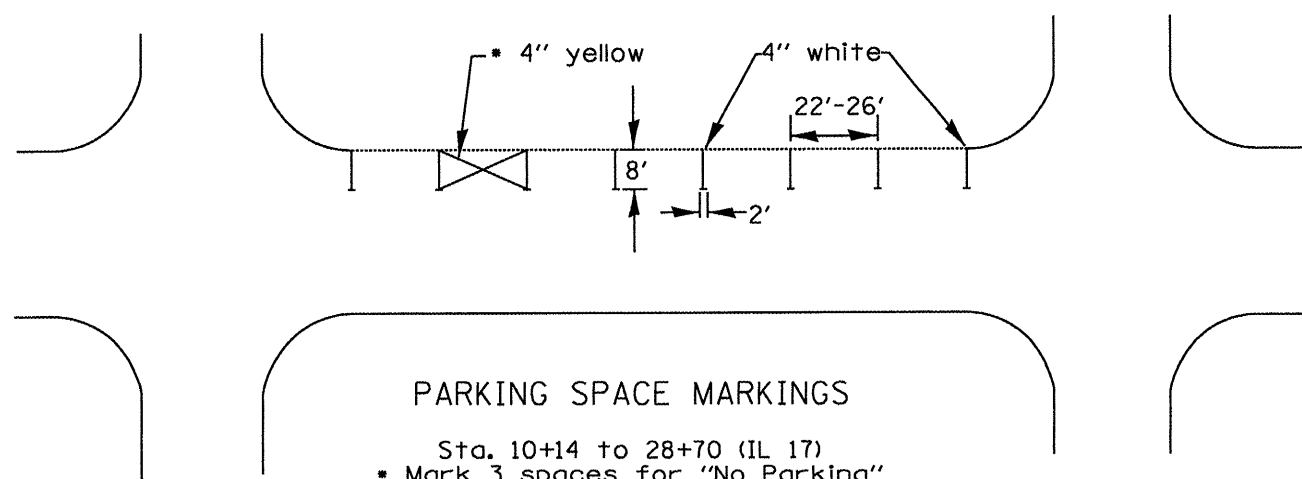
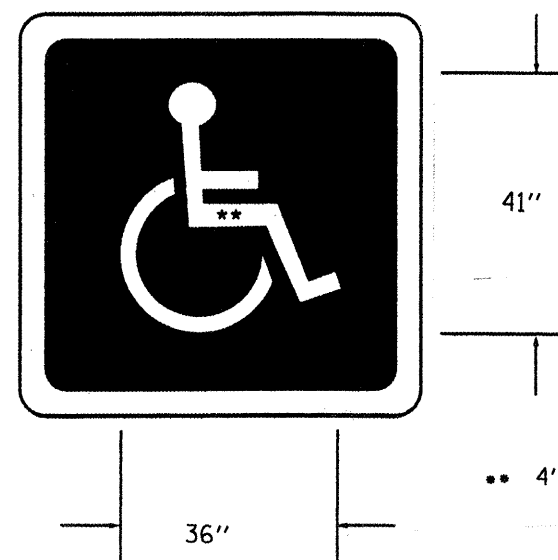


DETECTOR LOOP LOCATIONS

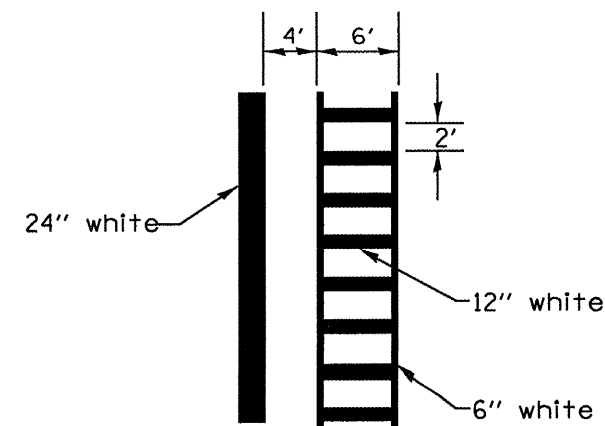


PARKING SPACE MARKINGS

Sta. 10+14 to 28+70 (IL 17)  
 \* Mark 3 spaces for "No Parking"  
 @ It. Sta. 27+15 to 27+90 (IL 17)



DETAIL FOR HANDICAP MARKING



DETAIL FOR CROSSWALKS AND STOP BARS

NOT TO SCALE

FILE NAME =	USER NAME = longer	DESIGNED -	REVISED -
S:\GEN\DRAWING\STD&PLNS\Squad\68560 IL2	N Lecon\plans.dgn	DRAWN -	REVISED -
	PLOT SCALE = 206.8058' / IN.	CHECKED -	REVISED -
	PLOT DATE = 8/5/2008	DATE -	REVISED -

STATE OF ILLINOIS  
 DEPARTMENT OF TRANSPORTATION

DETECTOR LOOP LOCATIONS &  
 PAVEMENT MARKING DETAILS

SCALE: SHEET NO. OF SHEETS STA. TO STA.

F.A.P. RTE.	SECTION	COUNTY	TOTAL SHEETS	SHEET NO.
649	110.18CSRS-1,13RS-2,RS&122,2RS-2	MARSHALL	15	10
FED. ROAD DIST. NO. ILLINOIS FED. AID PROJECT			CONTRACT NO. 68560	