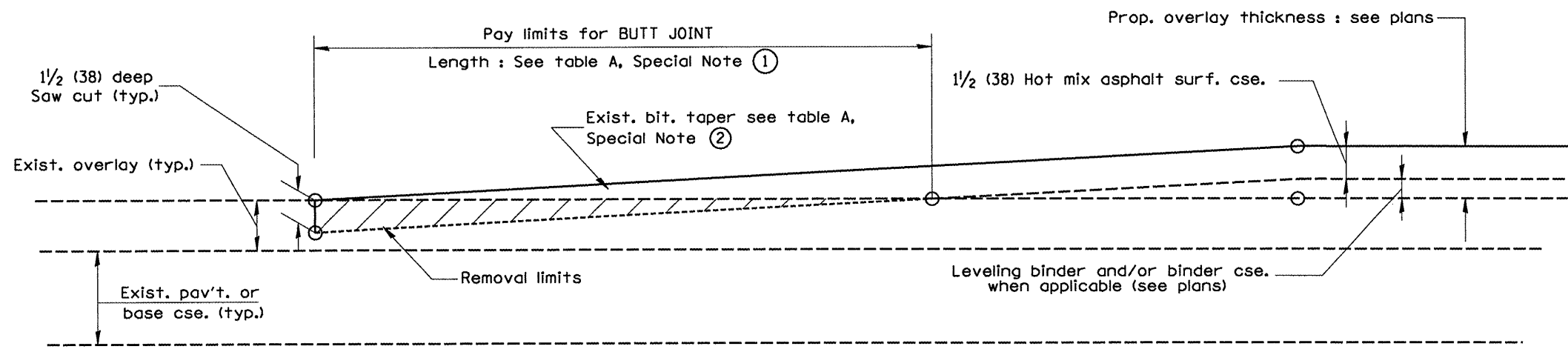
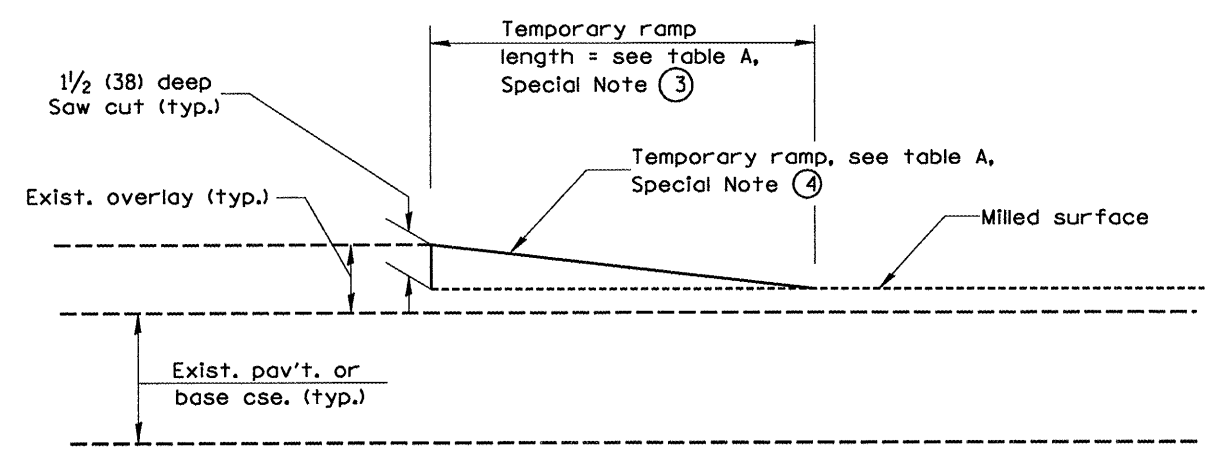


**CASE 3 : WITH HOT MIX ASPHALT SURFACE REMOVAL (COLD MILLING)
TIE-IN TO EXISTING BITUMINOUS TAPER**



**CASE 4 : NO HOT MIX ASPHALT SURFACE REMOVAL (COLD MILLING)
TIE-IN TO EXISTING BITUMINOUS TAPER**



DETAIL TEMPORARY RAMP

All dimensions are in inches (millimeters) unless otherwise noted.

ILLINOIS DEPARTMENT OF TRANSPORTATION				
DISTRICT CADD STANDARD				
BUTT JOINTS				
CADD STD NO. 406101-D4			SHEET 2 OF 3	
SCALE: NOT DRAWN TO SCALE			DRAWN BY CADD	
CHECKED BY				
F.A.P. RTE.	SECTION	COUNTY	TOTAL SHEETS	SHEET NO.
649	116,18CSRS-1,13RS-2,RS&22,2RS-2	MARSHALL	15	13
CONTRACT NO. 68560				
FED. ROAD DIST. NO. - ILLINOIS FED. AID PROJECT				

FILE NAME =	USER NAME = longsr	DESIGNED - ---	REVISED - ---
S:\GEN\DRAW\STD&PLNS\Squad\68560 IL2	N Lecon\plans.dgn	DRAWN - ---	REVISED - ---
	PLT SCALE = 206,8098 ' / IN.	CHECKED - ---	REVISED - ---
	PLT DATE = 7/24/2008	DATE - -----	REVISED - ---

**STATE OF ILLINOIS
DEPARTMENT OF TRANSPORTATION**

406101 - D4 (2)

SCALE: _____ SHEET NO. ____ OF ____ SHEETS STA. _____ TO STA. _____