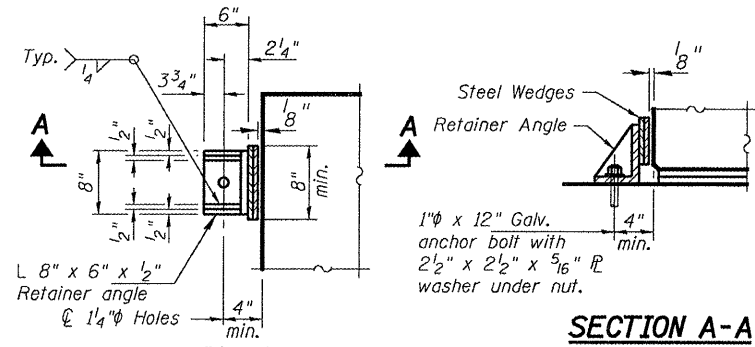


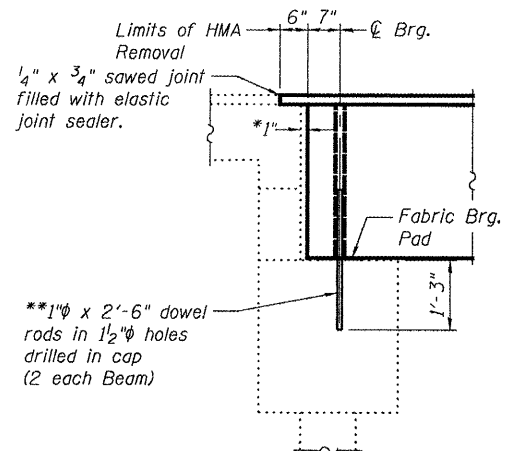
STATE OF ILLINOIS  
DEPARTMENT OF TRANSPORTATION



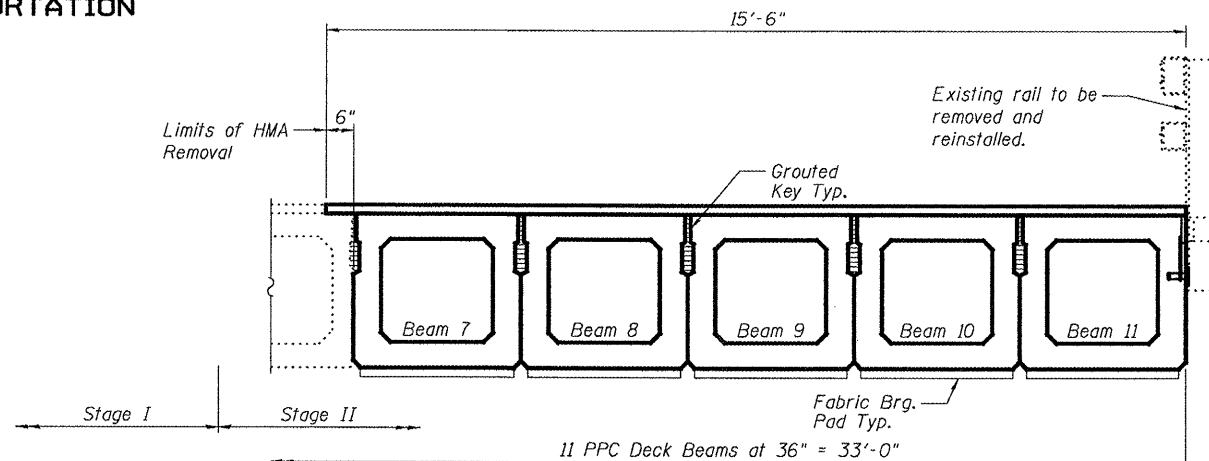
SECTION A-A

EXPANSION END SIDE RETAINER DETAIL  
(Outside face only)

Anchor bolts may be cast into the masonry or approved threaded rod may be placed in drilled holes and grouted in place. Cost of retainer and accessories are included with Precast Prestressed Concrete Deck Beams.

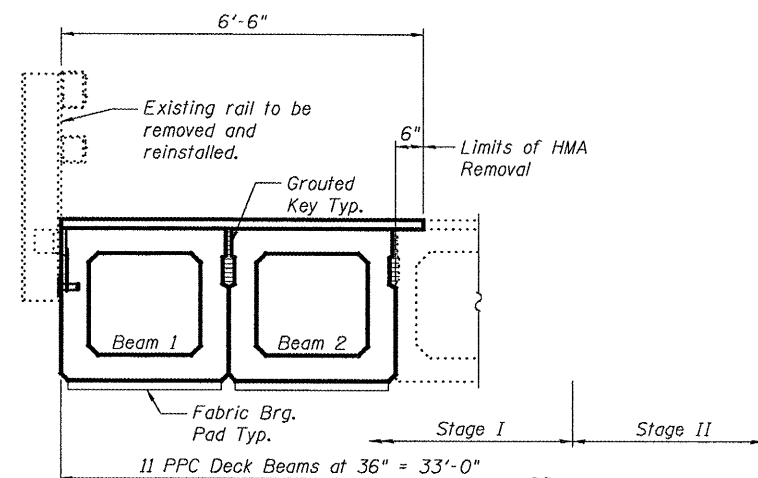


TYPICAL ABUTMENT SECTION

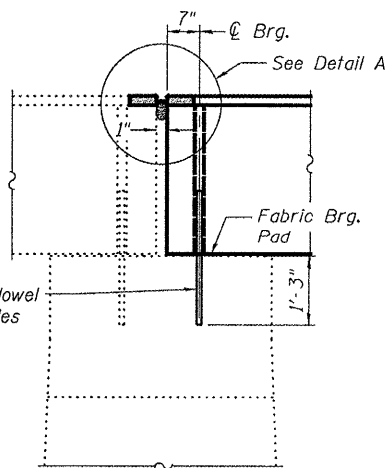


PARTIAL SPAN 1 DECK CROSS SECTION

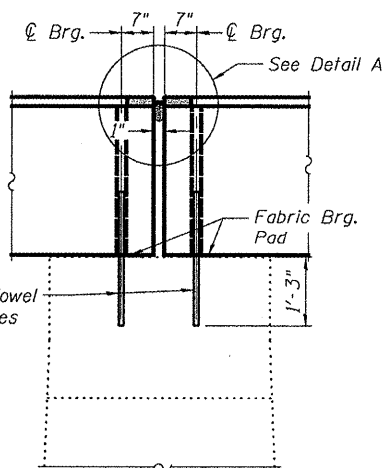
\*1" Joint shall be filled with non-shrink grout. Dimension may vary to accommodate tolerance in beam lengths.  
\*\*Existing dowel rods are to be burned off, ground flush, and sealed with epoxy prior to placement of new beams. Cost included in Removal of Existing PPC Deck Beams. After beams have been erected holes shall be drilled into cap and dowel rods placed. Dowel holes shall be filled with non-shrink grout to top of beam and allowed to cure a minimum of 24 hours prior to grouting the shear keys.



PARTIAL SPAN 2 DECK CROSS SECTION

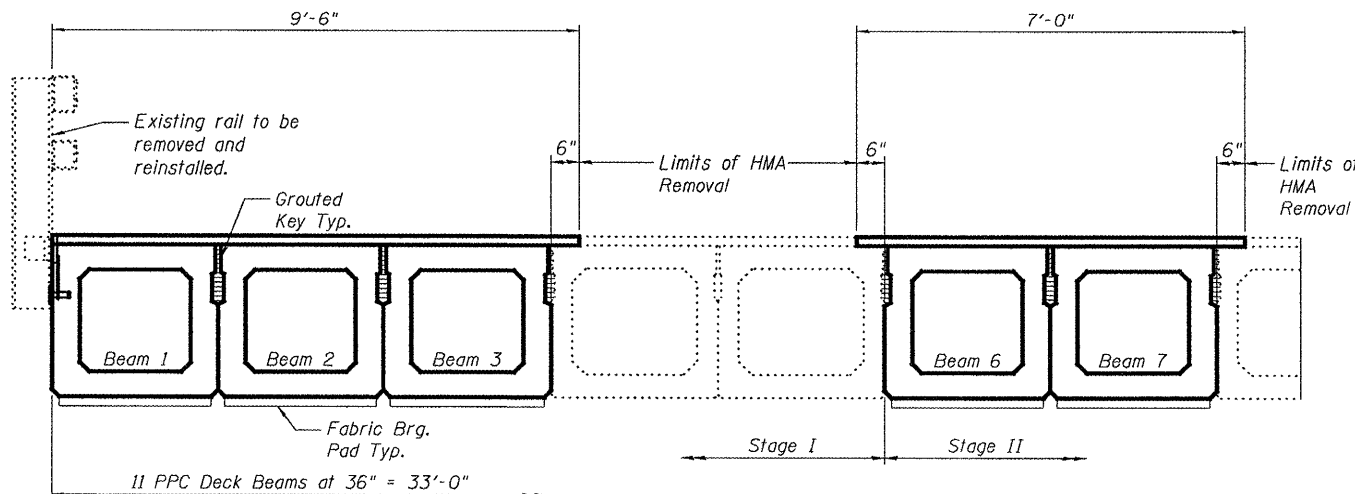


TYPICAL PIER SECTION  
(Showing New beams at one side only)

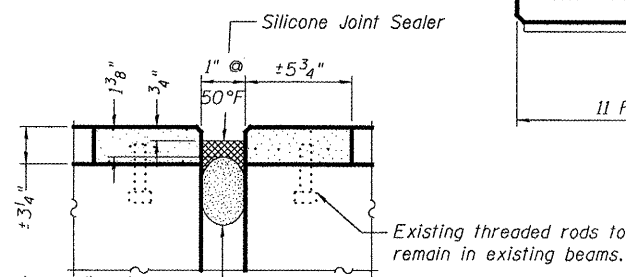


TYPICAL PIER SECTION  
(Showing New beams at both sides)

Note:  
Removal of existing neoprene expansion joints included in the cost of Polymer Concrete Nosing. Silicone joint sealer and polymer concrete to be placed out to out of the bridge.



PARTIAL SPAN 3 DECK CROSS SECTION



DETAIL A

DECK AND JOINT DETAILS  
SN 036-0028

DESIGNED	A.T.H.
CHECKED	V.H.V.
DRAWN	Drew Christopher
CHECKED	A.T.H. V.H.V.

EXAMINED	October 30, 2008 <i>A. Carl Ramsey</i> ENGINEER OF STRUCTURAL SERVICES
PASSED	<i>Ralph E. Anderson</i> ENGINEER OF BRIDGES AND STRUCTURES

SHEET NO. 4	F.A. RTE.	SECTION	COUNTY	TOTAL SHEETS	SHEET NO.
	45	(6BR-1)I	Henderson	14	13
5 SHEETS	FED. ROAD DIST. NO.	ILLINOIS	FED. AID PROJECT	CONTRACT NO. 68849	