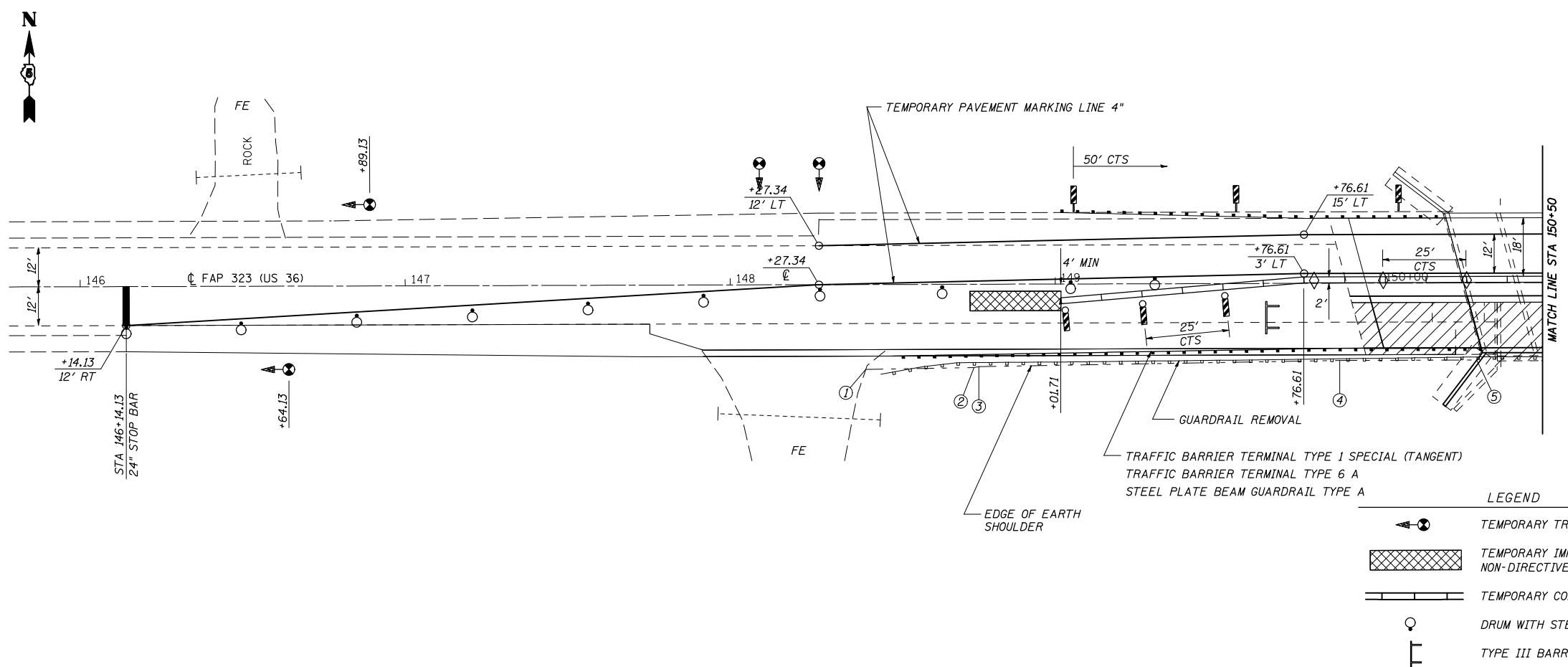


F.A.P. RTE.	SECTION	COUNTY	TOTAL SHEETS	SHEET NO.
323	145BR-1	DOUGLAS	39	14
STA.		TO STA.		
FED. ROAD DIST. NO.		ILLINOIS FED. AID PROJECT		
CONTRACT NO. 70393				



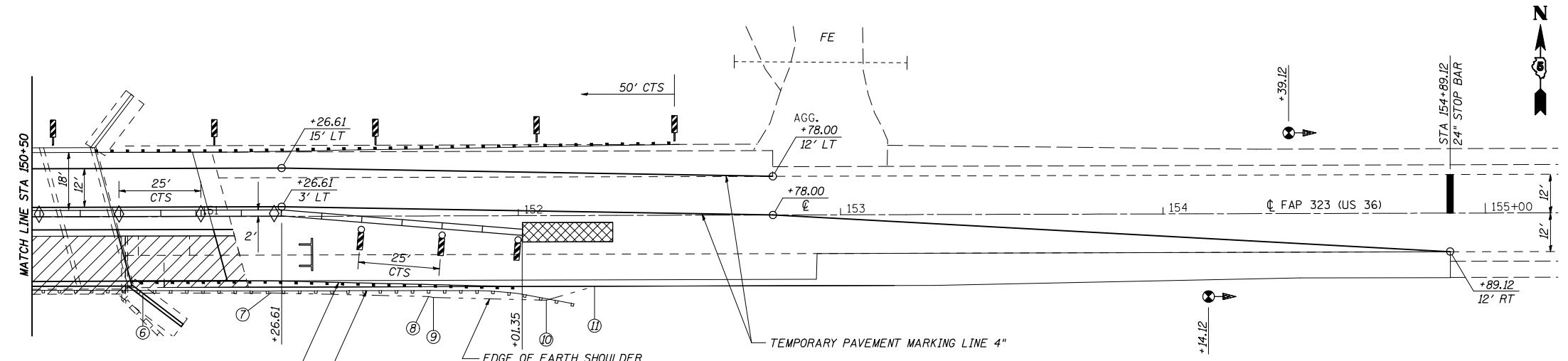
- STAGE 2**
1. RELOCATE TEMPORARY CONCRETE BARRIER AND IMPACT ATTENUATORS
 2. REMOVE EXISTING PAVEMENT MARKINGS, STAGE 1 TEMPORARY PAVEMENT MARKINGS, AND INSTALL TEMPORARY PAVEMENT MARKINGS
 3. REMOVE GUARDRAIL, TERMINALS, AND BRIDGE RAIL
 4. REMOVE PAVEMENT, APPROACH SLAB, AND PAVED SHOULDER
 5. REMOVE STRUCTURE
 6. CONSTRUCT STRUCTURE
 7. PLACE POROUS GRANULAR BACKFILL
 8. CONSTRUCT APPROACH PAVEMENT AND CONNECTOR
 9. WIDEN EARTH SHOULDER
 10. INSTALL BRIDGE RAIL, GUARDRAIL, AND TERMINALS
 11. CONSTRUCT TEMPORARY RAMPS
- FINAL PHASE**
1. REMOVE TEMPORARY CONCRETE BARRIER, IMPACT ATTENUATORS, AND TEMPORARY SIGNALS
 2. REMOVE STAGE 2 TEMPORARY PAVEMENT MARKINGS; INSTALL SHORT TERM PAVEMENT MARKINGS
 3. MILL BUTT JOINTS AND INSTALL TEMPORARY RAMPS
 4. PLACE HMA SURFACE AND SHOULDER
 5. CONSTRUCT AGGREGATE SHOULDER
 6. BRIDGE DECK GROOVING AND PAVEMENT GROOVING
 7. REMOVE SHORT TERM PAVEMENT MARKINGS AND PLACE PAVEMENT MARKINGS
 8. INSTALL RAISED MARKERS, GUARDRAIL MARKERS, AND TERMINAL MARKERS

LEGEND

	TEMPORARY TRAFFIC SIGNALS		STEADY BURNING LIGHTS AND DOUBLE VERTICAL PANEL
	TEMPORARY IMPACT ATTENUATOR NON-DIRECTIVE TEST LEVEL 2		DOUBLE VERTICAL PANEL
	TEMPORARY CONCRETE BARRIER		TYPE C BIDIRECTIONAL REFLECTOR
	DRUM WITH STEADY BURNING LIGHT		INDICATES REMOVAL AREAS
	TYPE III BARRICADE	SEE STANDARD 701321 FOR DETAILS NOT SHOWN RUMBLE STRIPS WILL NOT BE REQUIRED	

RIGHT SHOULDER LAYOUT

POINT NO	STA	OFFSET
1	148+41.60	26.10
2	148+74.95	25.65
3	148+76.45	25.35
4	149+87.45	23.75
5	150+29.65	23.75
6	150+83.45	23.75
7	151+23.25	23.75
8	151+71.75	25.05
9	151+73.25	25.35
10	152+08.25	26.25
11	152+23.60	22.00



TEMPORARY PAVEMENT MARKING-LINE 4"

LOCATION	LINE TYPE & COLOR	TEMPORARY PAVEMENT MARKINGS	WORKZONE PAVEMENT MARKING REMOVAL
		FOOT	SQ. FT.
12' LT STA 148+27.34 TO 15' LT STA 149+76.61	SOLID WHITE EDGE LINE	149	50
15' LT STA 149+76.61 TO 15' LT STA 151+26.61	SOLID WHITE EDGE LINE	150	50
15' LT STA 151+26.61 TO 12' LT STA 152+78.00	SOLID WHITE EDGE LINE	151	50
12' RT STA 146+14.13 TO @ STA 148+27.34	SOLID WHITE EDGE LINE	213	71
@ STA 148+27.34 TO 3' LT STA 149+76.61	SOLID WHITE EDGE LINE	150	50
3' LT STA 149+76.61 TO 3' LT STA 151+26.61	SOLID WHITE EDGE LINE	150	50
3' LT STA 151+26.61 TO @ STA 152+78.00	SOLID WHITE EDGE LINE	151	50
@ STA 152+78.00 TO 12' RT STA 154+89.08	SOLID WHITE EDGE LINE	211	70
TOTAL		1,325	441

QUANTITIES FOR PLACEMENT AND REMOVAL OF TEMPORARY PAVEMENT MARKINGS ARE INCLUDED FOR INFORMATION ONLY. PLACING, MAINTAINING, AND REMOVING TEMPORARY PAVEMENT MARKINGS WILL NOT BE PAID FOR SEPARATELY BUT SHALL BE INCLUDED IN THE COST FOR TRAFFIC CONTROL AND PROTECTION STANDARD 701321

MATERIAL FOR TEMPORARY PAVEMENT MARKINGS SHALL BE AS SPECIFIED IN ARTICLE 703.05 OF THE STANDARD SPECIFICATIONS.

**TRAFFIC CONTROL & PROTECTION
STAGE 2**

**FAP ROUTE 323 (US 36)
SECTION 145BR-1
DOUGLAS COUNTY**

CUMMINS ENGINEERING CORPORATION	JOB #: 2114.6
	FILE: 21146STAGE2
	DATE: 4/3/07