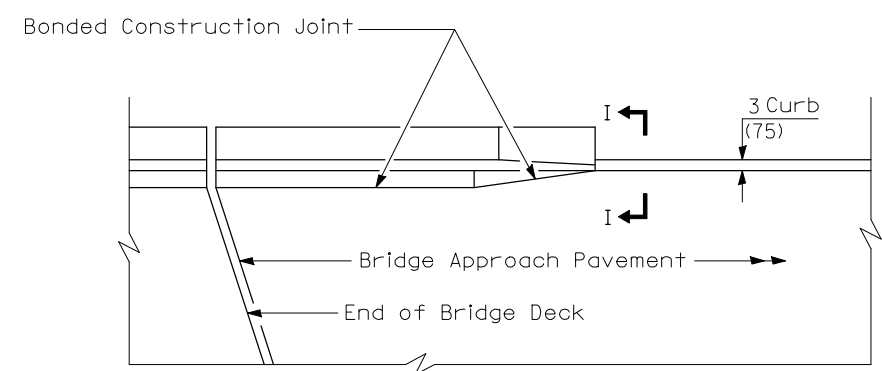
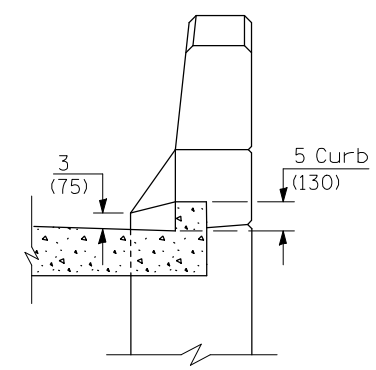


F.A.P. RTE.	SECTION	COUNTY	TOTAL SHEETS	SHEET NO.
323	145BR-1	DOUGLAS	39	24D

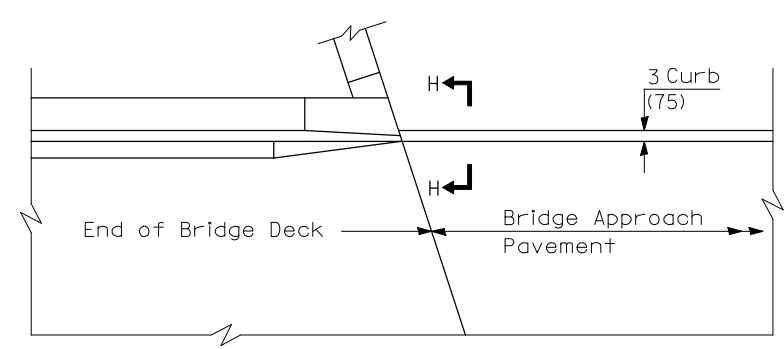
FED. ROAD DIST. NO. ILLINOIS FED. AID PROJECT
CONTRACT NO. 70393



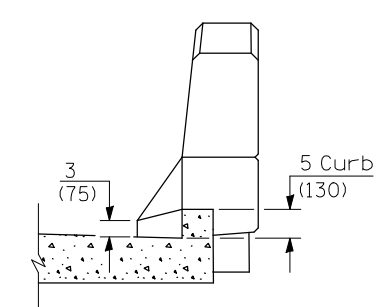
**PARAPET TO CURB TRANSITION
 PILE BENT ABUTMENT**



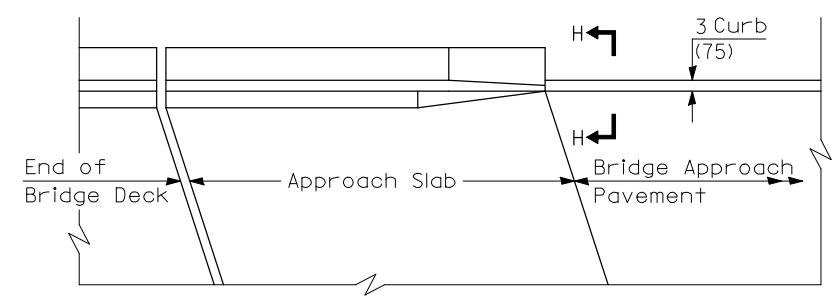
SECTION I - I



**PARAPET TO CURB TRANSITION
 INTEGRAL ABUTMENT**



SECTION H - H



**PARAPET TO CURB TRANSITION
 VAULTED ABUTMENT**

DETAILS
BRIDGE APPROACH PAVEMENT
 FAP ROUTE 323 (US 36)
 SECTION 145BR-1
 DOUGLAS COUNTY

(Sheet 4 of 4)