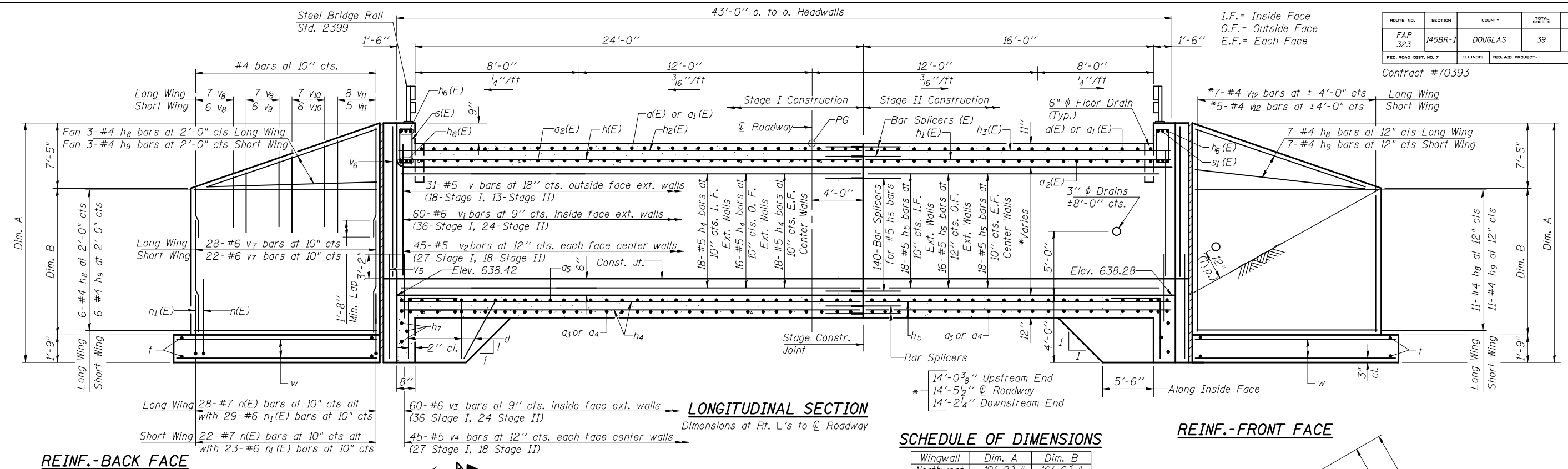


ROUTE NO.	SECTION	COUNTY	TOTAL SHEETS	SHEET NO.
FAP 323	145BR-1	DOUGLAS	39	30
FED. ROAD DIST. NO. 7		ILLINOIS	FED. AID PROJECT	

Contract #70393

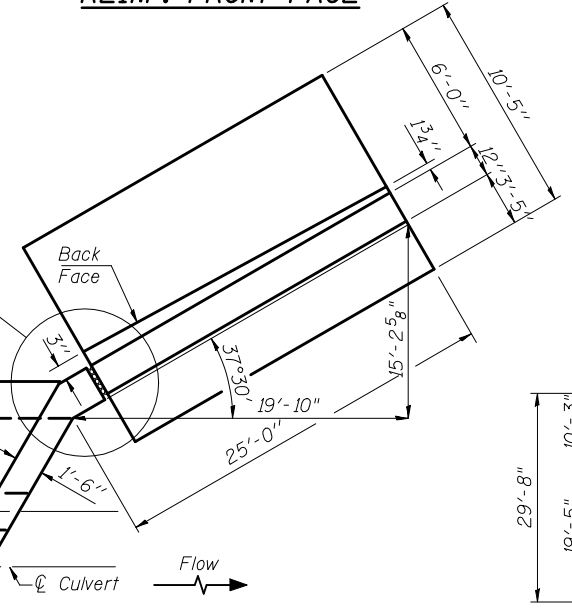
I.F. = Inside Face  
O.F. = Outside Face  
E.F. = Each Face



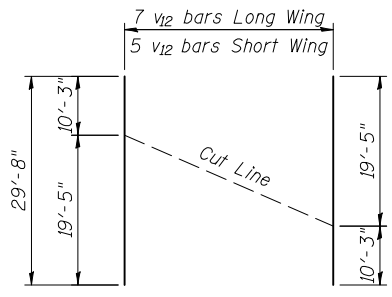
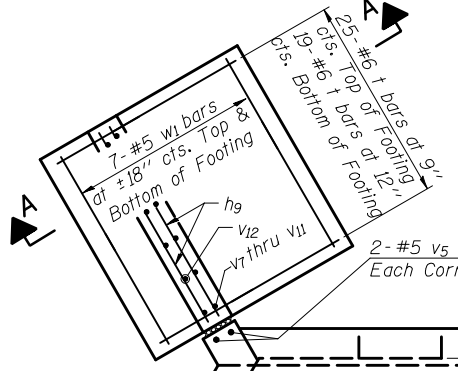
**SCHEDULE OF DIMENSIONS**

Wingwall	Dim. A	Dim. B
Northwest	19'-8 <sup>3</sup> / <sub>8</sub> "	10'-6 <sup>3</sup> / <sub>8</sub> "
Northeast	19'-8 <sup>3</sup> / <sub>8</sub> "	10'-6 <sup>3</sup> / <sub>8</sub> "
Southwest	19'-10 <sup>3</sup> / <sub>8</sub> "	10'-8 <sup>3</sup> / <sub>8</sub> "
Southeast	19'-10 <sup>3</sup> / <sub>8</sub> "	10'-8 <sup>3</sup> / <sub>8</sub> "

**REINF.-FRONT FACE**



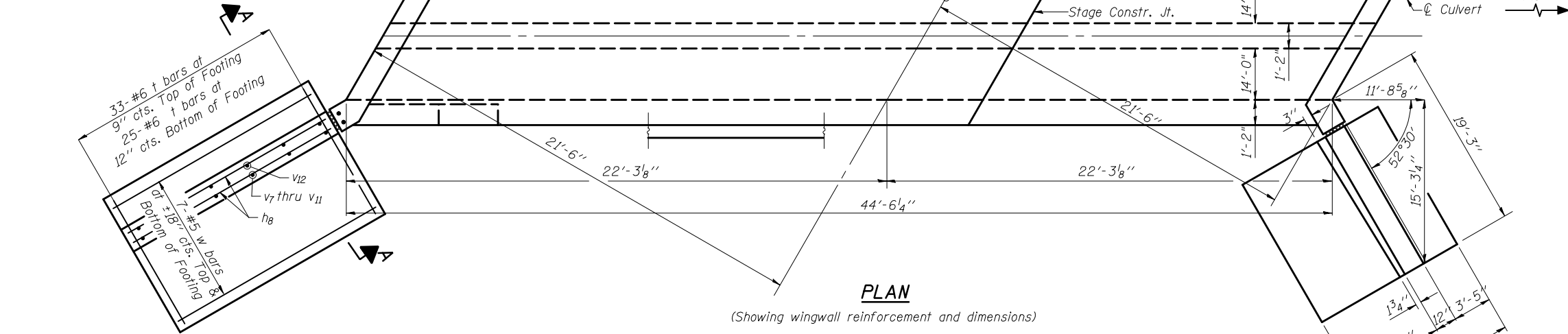
**REINF.-BACK FACE**



**FIELD CUTTING DIAGRAM**

\*Order v12 bars full length, cut to fit as shown and use remainder of bar in opposite wing.

Maximum Soil Pressure under Footing=3130 psf



**PLAN**

(Showing wingwall reinforcement and dimensions)

**NOTES**

All construction joints shall be bonded.  
See Sheets 4 and 5 of 10 for slab reinforcement.  
See Sheet 7 of 10 for Section A-A and Corner Details.

PLOT DATE = 10/16/2008  
 FILE NAME = s03604\_v09@consultant\_final\_plan@sheet-06-sab-t1-r.dgn  
 PLOT SCALE = 0.250000 1" = 1'-0"  
 USER NAME = stluis13

ILLINOIS DEPARTMENT OF TRANSPORTATION	
SHEET TITLE CULVERT DETAILS	
PROJECT US 36 OVER HACKETT BRANCH FAP RTE 323 SECTION 145 BR-1 DOUGLAS COUNTY STATION 150+50 STRUCTURE NUMBER 021-2026	PROJECT NO. 03020 SCALE DATE 06/05/07 DRAWN BY TFG CHECKED BY CME/KS/MCB DRAWING NO.
<b>COOMBE-BLOXDORF P.C.</b> Engineers / Land Surveyors Springfield, Illinois Design Firm License No. 184-002708	6 OF 10 SHTS