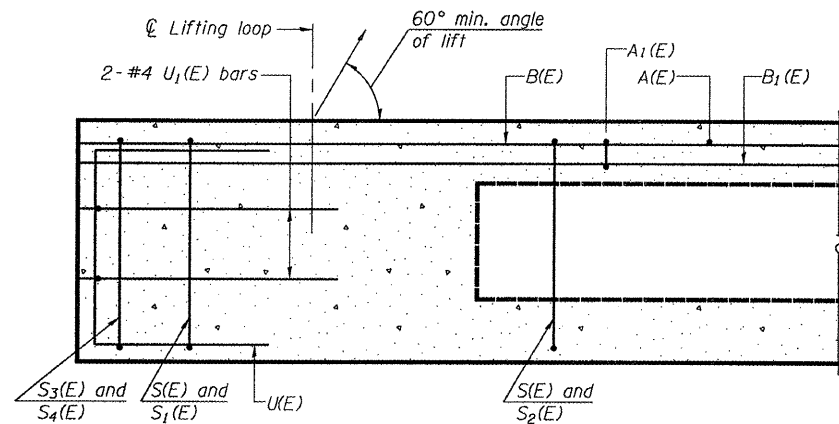
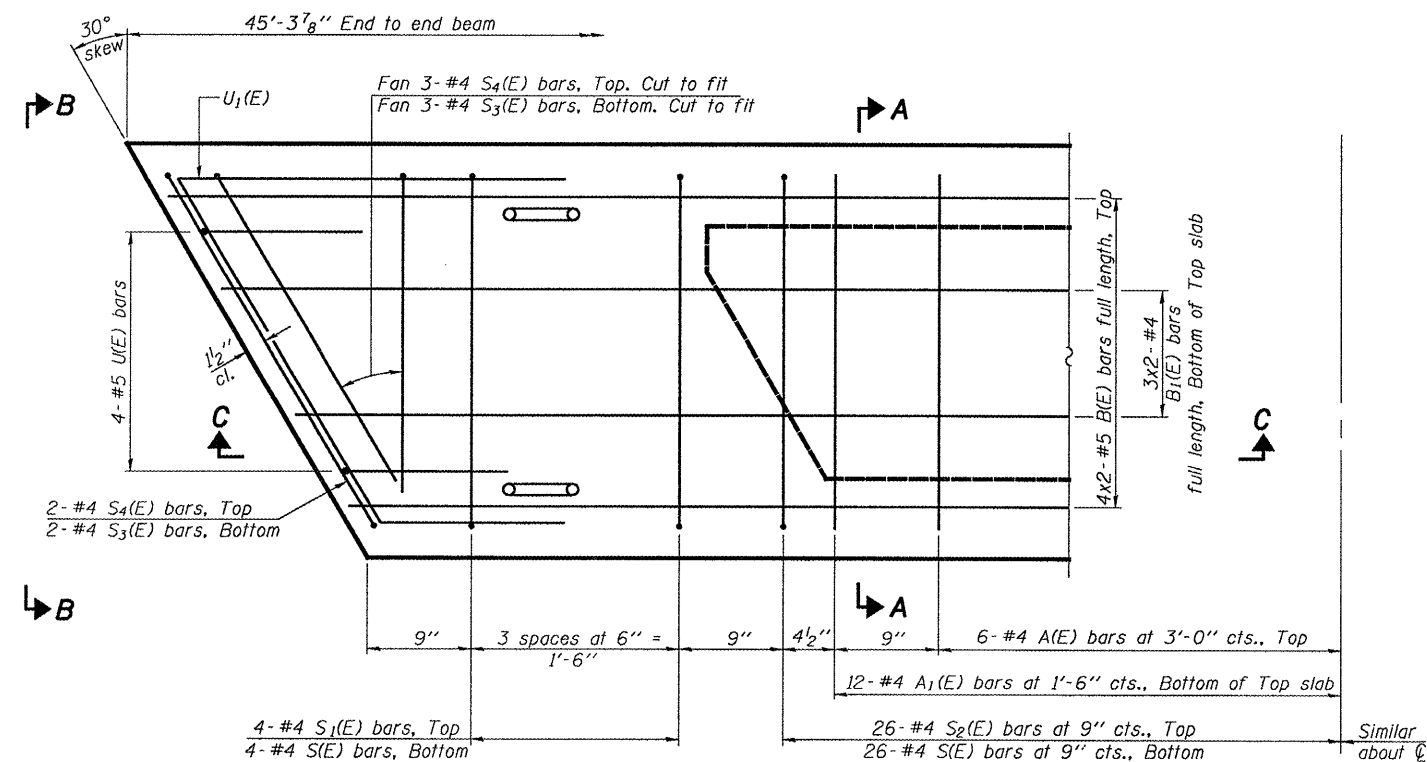


STATE OF ILLINOIS  
DEPARTMENT OF TRANSPORTATION

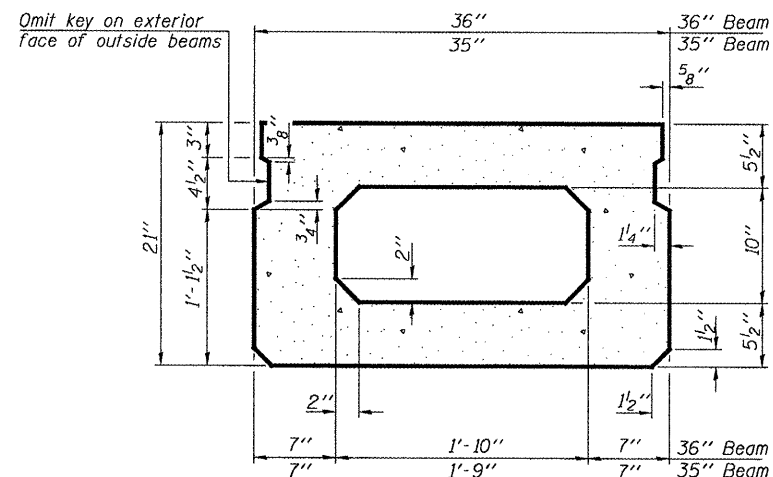


SECTION C-C



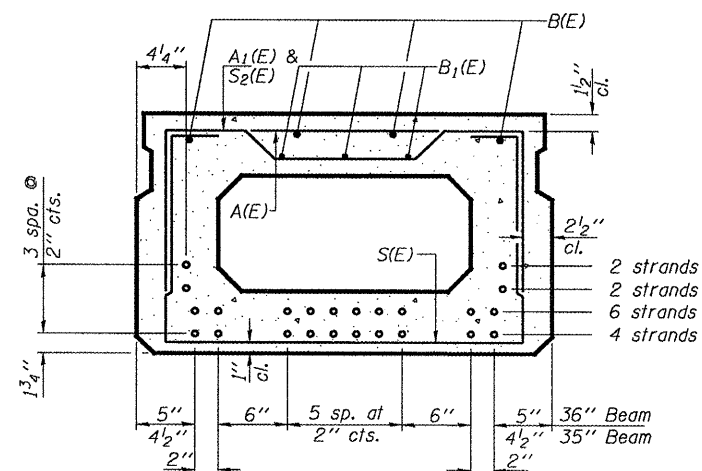
PLAN VIEW

Note: Spacing of S(E) and S2(E) bars may be adjusted up to 4" in the immediate area of the transverse tie diaphragms to miss the block outs for the transverse ties.



SECTION A-A

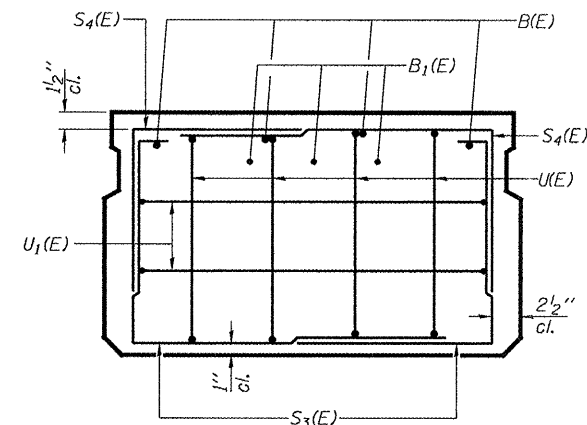
(Showing dimensions)



SECTION A-A

(Showing reinforcement and permissible strand locations)

Note: Place the number of strands specified in each row symmetrically about the centerline of beam in the permissible strand locations shown.



VIEW B-B

BAR LIST FOR  
ONE 35" BEAM ONLY

(For information only)

Bar	No.	Size	Length	Shape
A(E)	12	#4	2'-6"	—
A1(E)	24	#4	2'-9"	—
B(E)	8	#5	23'-8"	—
B1(E)	6	#4	23'-5"	—
S(E)	60	#4	6'-4"	U
S1(E)	8	#4	4'-10"	U
S2(E)	52	#4	5'-1"	U
S3(E)	10	#4	4'-10"	U
S4(E)	10	#4	4'-5"	U
U(E)	8	#5	4'-0"	U
U1(E)	4	#4	6'-8"	U

BAR LIST FOR  
ONE 36" BEAM ONLY

(For information only)

Bar	No.	Size	Length	Shape
A(E)	12	#4	2'-7"	—
A1(E)	24	#4	2'-10"	—
B(E)	8	#5	23'-8"	—
B1(E)	6	#4	23'-5"	—
S(E)	60	#4	6'-5"	U
S1(E)	8	#4	4'-11"	U
S2(E)	52	#4	5'-2"	U
S3(E)	10	#4	4'-10"	U
S4(E)	10	#4	4'-5"	U
U(E)	8	#5	4'-0"	U
U1(E)	4	#4	6'-10"	U

Bars indicated thus 4 x 2-#5 etc. indicates 4 lines of bars with 2 lengths per line.

Note: See sheet 3 of 5 for additional details and Bill of Material.

MIN. BAR LAP

#4 - 1'-8"  
#5 - 2'-2"

BEAM DETAILS  
SN 092-0176

DESIGNED	AJB
CHECKED	GGH
DRAWN	Steffen
CHECKED	AJB GGH

EXAMINED	<i>Carl Proyer</i> ENGINEER OF STRUCTURAL SERVICES
PASSED	<i>Ralph E. Anderson</i> ENGINEER OF BRIDGES AND STRUCTURES

OCTOBER 31, 2008

SHEET NO. 2 5 SHEETS	F.A.S. RTE.	SECTION	COUNTY	TOTAL SHEETS	SHEET NO.
	331	(79-102)2009BBR	VERMILION	16	10
FED. ROAD DIST. NO.			ILLINOIS	FED. AID PROJECT	
CONTRACT NO. 70749					