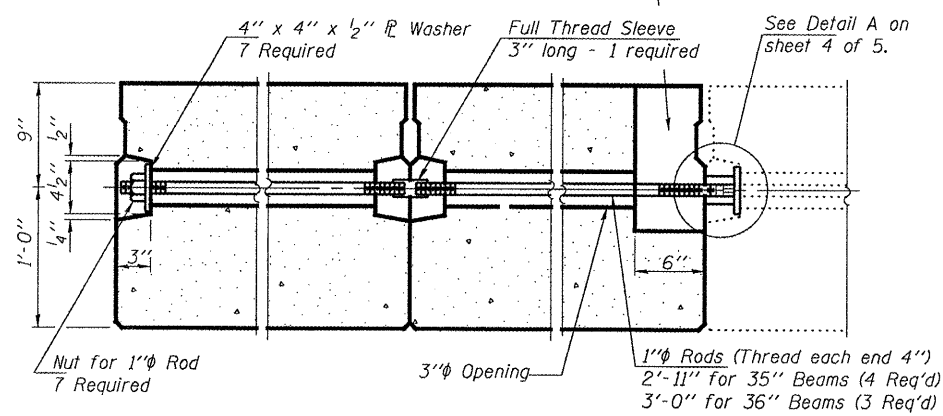
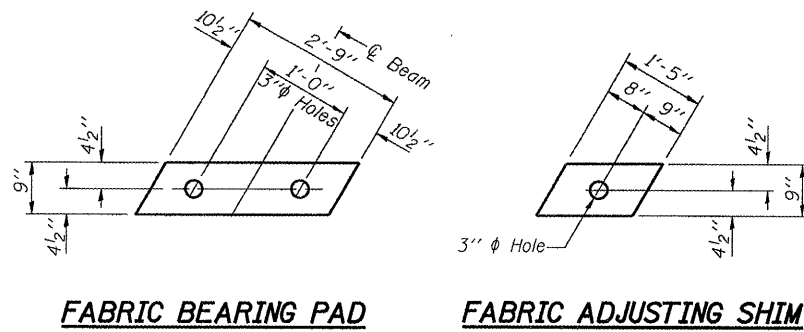
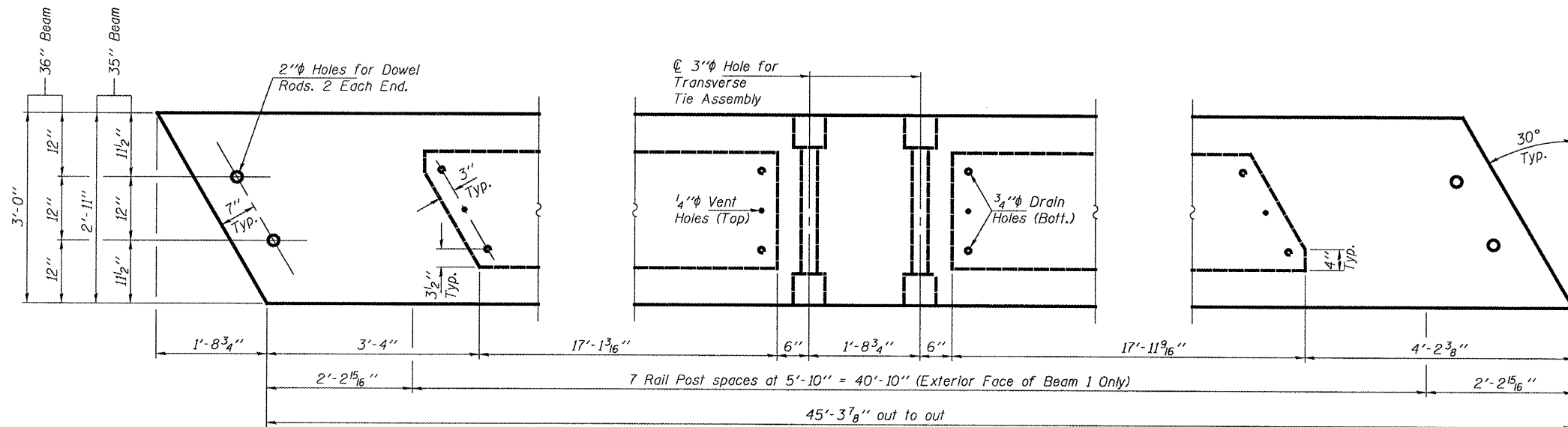


STATE OF ILLINOIS
DEPARTMENT OF TRANSPORTATION

6" x 6" x 11 1/2" Blockout to be filled with non-shrink grout as specified in the special provision Concrete Deck Beams (Min. compressive strength at 7 days = 6,000 psi) after beams have been installed. Cost shall be included in the cost of "Precast Prestressed Concrete Deck Beams (21" Depth)".



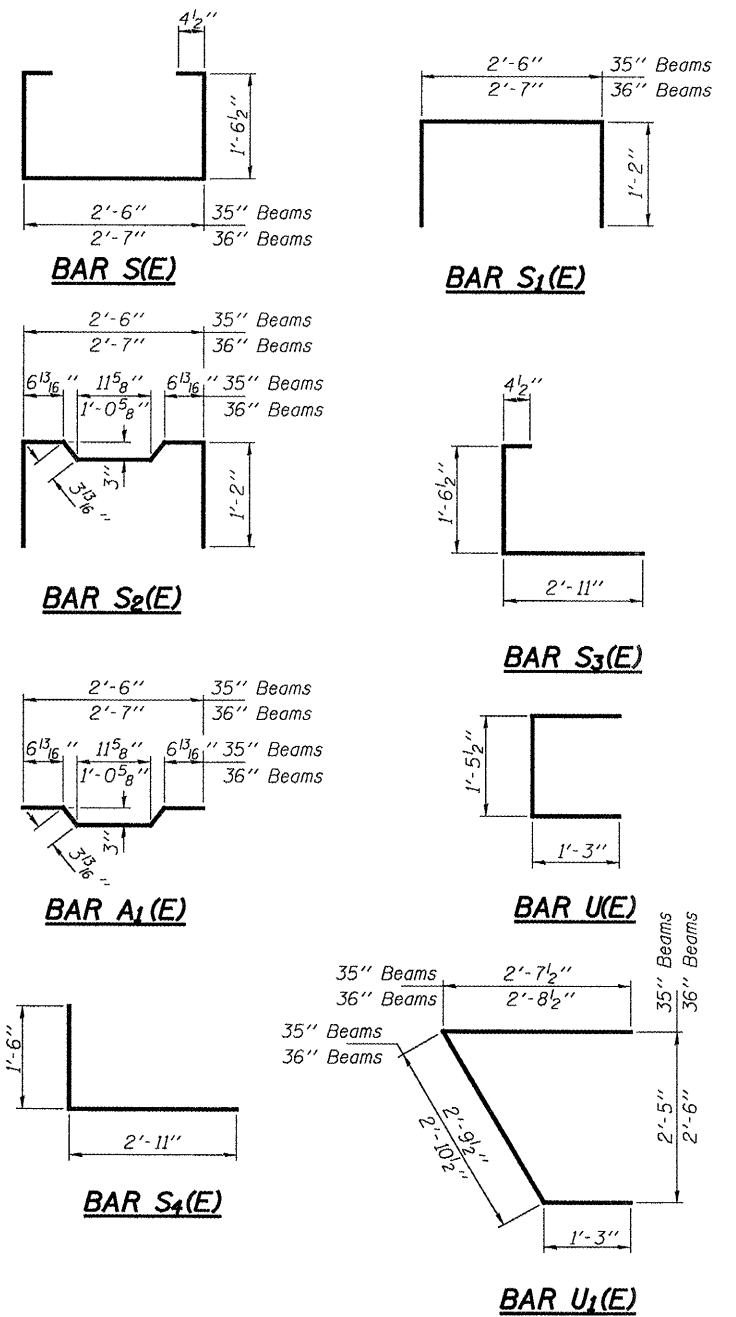
TYPICAL TRANSVERSE TIE ASSEMBLY



BEAM PLAN

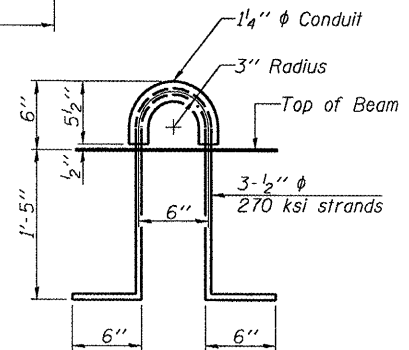
NOTES

Prestressing steel shall be uncoated high strength, low relaxation 7-wire strand, Grade 270. The nominal diameter shall be 1/2" and the nominal cross-sectional area shall be 0.153 sq. in. The 1" rods in the transverse tie assembly shall be tightened to a snug fit and the threads set. Pockets on exterior faces of bridge shall be filled with grout after transverse tie assembly is in place. Reinforcement bars shall conform to ASTM A 706, Grade 60. (See Special Provisions). Two 1/8" fabric adjusting shims of the dimensions shown shall be provided for each bearing pad location. A minimum 2 1/2" phi lifting pin shall be used to engage the lifting loops during handling. Corrosion Inhibitor, per Article 1020.05(b)(12) and 1021.06 of the Standard Specifications, shall be used in the concrete for precast prestressed concrete deck beams. Compressive strength of prestressed concrete, f'c, shall be 6000 psi. Compressive strength of prestressed concrete at release, f'ci, shall be 5000 psi.



BILL OF MATERIAL

Precast Prestressed Conc. Deck Bms. (21" depth)	Sq. Ft.	536
---	---------	-----



LIFTING LOOP DETAIL

BEAM DETAILS
SN 092-0176

DESIGNED	AJB
CHECKED	GGH
DRAWN	Steffen
CHECKED	AJB GGH

OCTOBER 31, 2008
EXAMINED *Carl P. ...*
PASSED *Ralph E. Anderson*
ENGINEER OF STRUCTURAL SERVICES
ENGINEER OF BRIDGES AND STRUCTURES

SHEET NO. 3 5 SHEETS	F.A.S. RTE.	SECTION	COUNTY	TOTAL SHEETS	SHEET NO.
	331	(79-102)2009BBR	VERMILION	16	11
FED. ROAD DIST. NO.			ILLINOIS FED. AID PROJECT		
CONTRACT NO. 70749					