

ROUTE NO.	SECTION	COUNTY	TOTAL SHEETS	SHEET NO.	SHEET NO. 23
F.A.I. 55	(68-4)F	MONTGOMERY	25	25	23 SHEETS
FED. ROAD DIST. NO. 7	ILLINOIS	FED. AID PROJECT-			

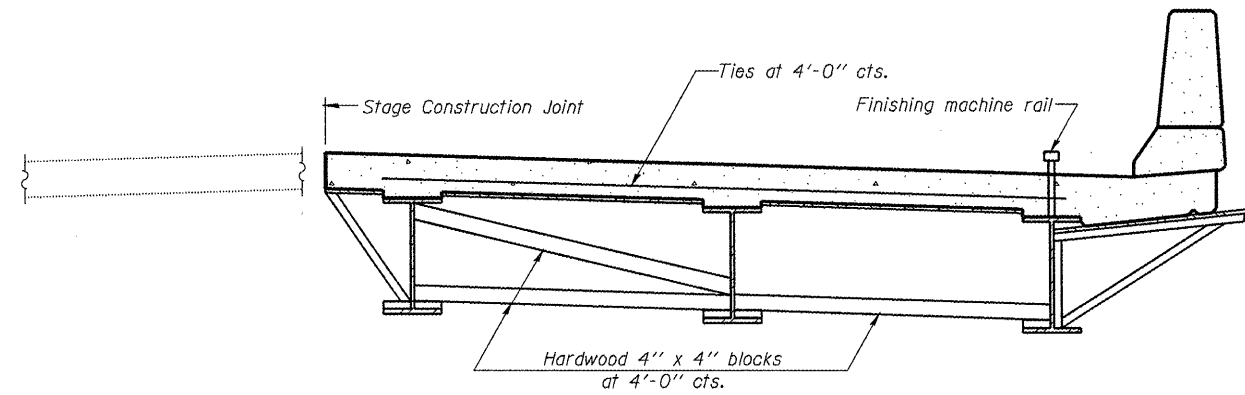
Contract #72C32

When cantilever forming brackets are used, the work shall be done according to Article 503.06(b) of the Standard Specifications, except as modified below and in the details shown on this sheet.

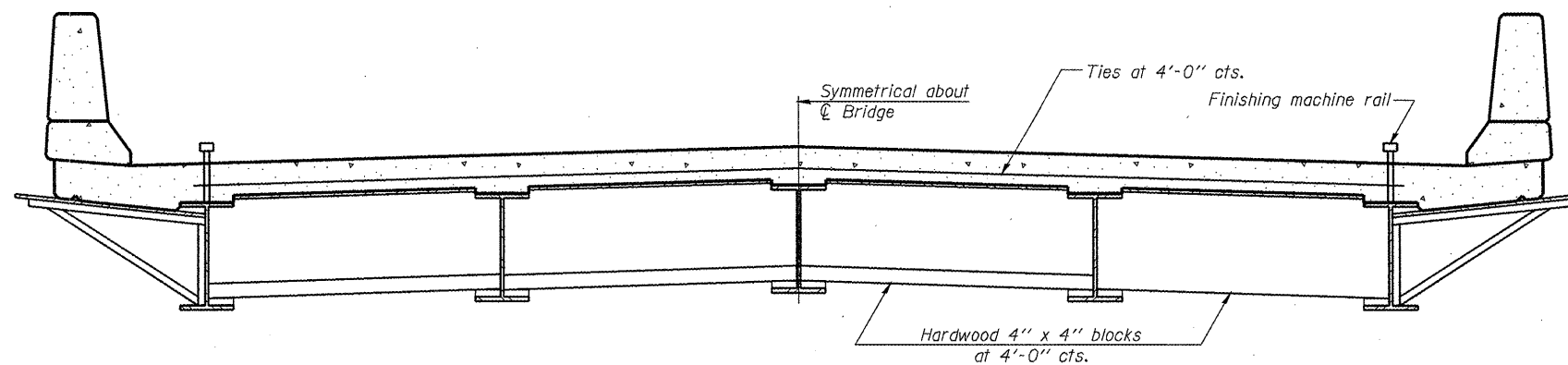
The finishing machine rails shall be placed on the top flange of the exterior beams.

The beams or girders, supporting cantilever forming brackets, shall be tied together at 4 foot intervals.

For Standard construction, or Stage Construction the Hardwood bracing materials shall be placed as shown between webs of beams in each bay.



**FORM BRACES FOR STAGE CONSTRUCTION**



**FORM BRACES FOR STANDARD CONSTRUCTION**

**FOR  
INFORMATION  
ONLY**

ILLINOIS DEPARTMENT OF TRANSPORTATION

**CANTILEVER FORMING BRACKET DETAIL**

**I 55 OVER MACOUPIN CREEK**

**F.A.I. ROUTE 55 - SEC. (68-4)F**

**MONTGOMERY COUNTY**

**STATION 1066+03.18**

**STRUCTURE NO. 068-0038 N.B.**

**STRUCTURE NO. 068-0039 S.B.**

DATE: 04-08  
REVISED:

DRAWN BY: MLO  
CHECKED BY: PBB