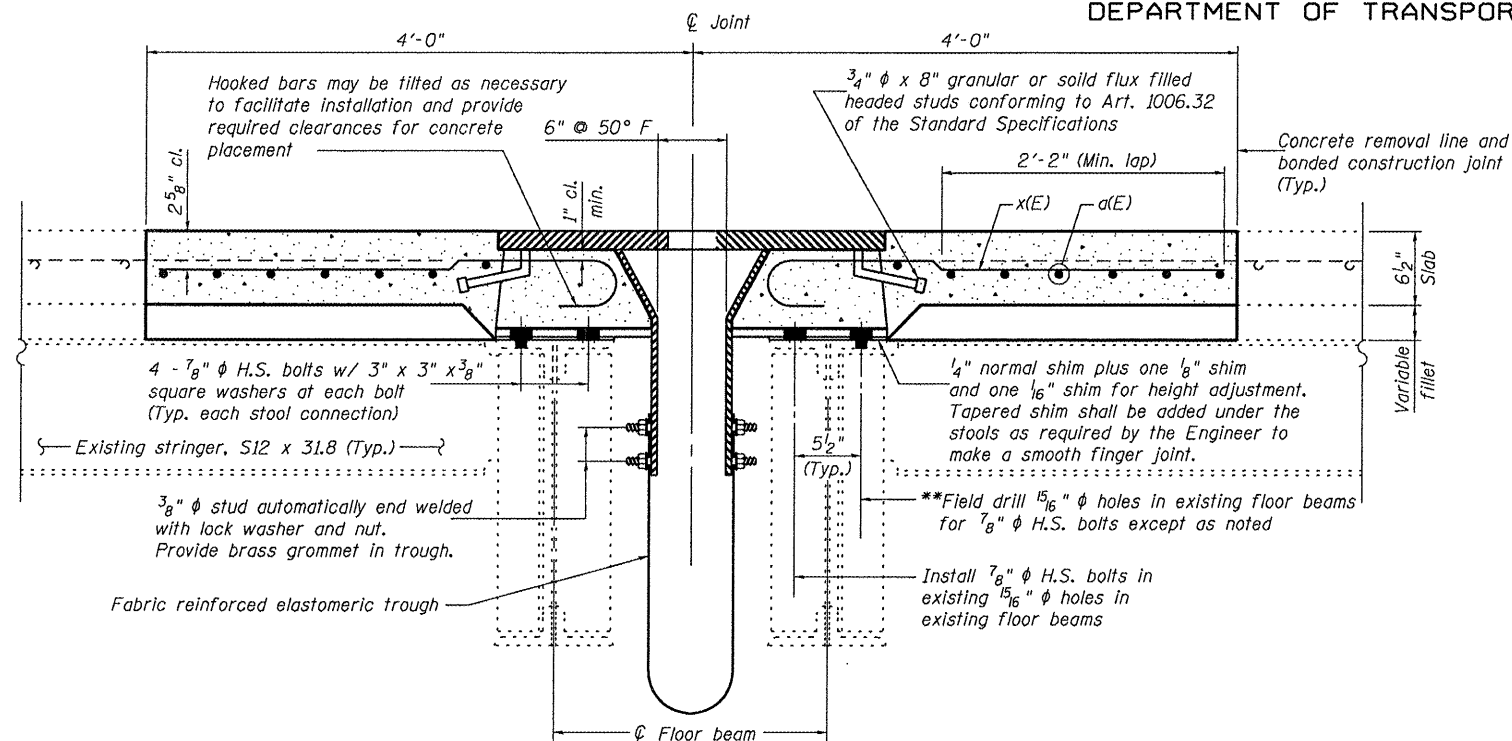


STATE OF ILLINOIS
DEPARTMENT OF TRANSPORTATION

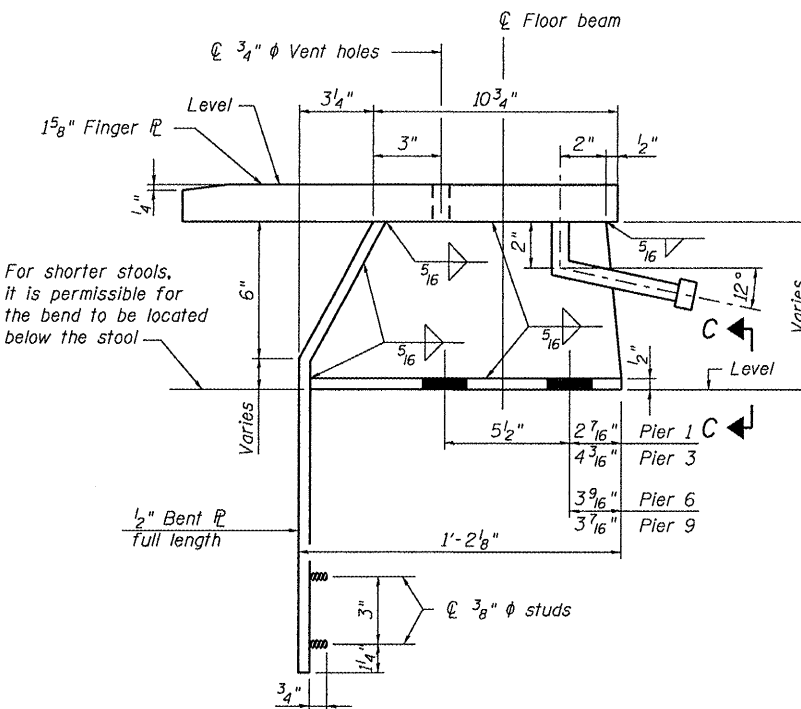


* The dimensions shown are estimated based upon previous field inspection measurements. Prior to ordering material, the Contractor shall field verify the distance between centerline of floor beams and the suitability of the finger plate details. Discrepancies shall be reported to the Bureau of Bridges & Structures for further disposition.

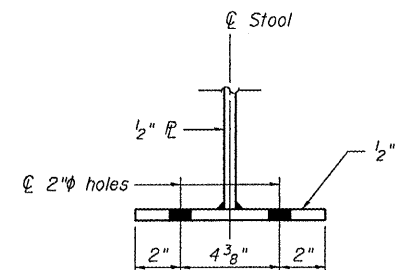
Pier 1	1'-11 ³ / ₄ "
Pier 3	1'-8 ¹ / ₄ "
Pier 6	1'-9 ¹ / ₂ "
Pier 8	1'-9 ³ / ₄ "

SECTION AT PIERS

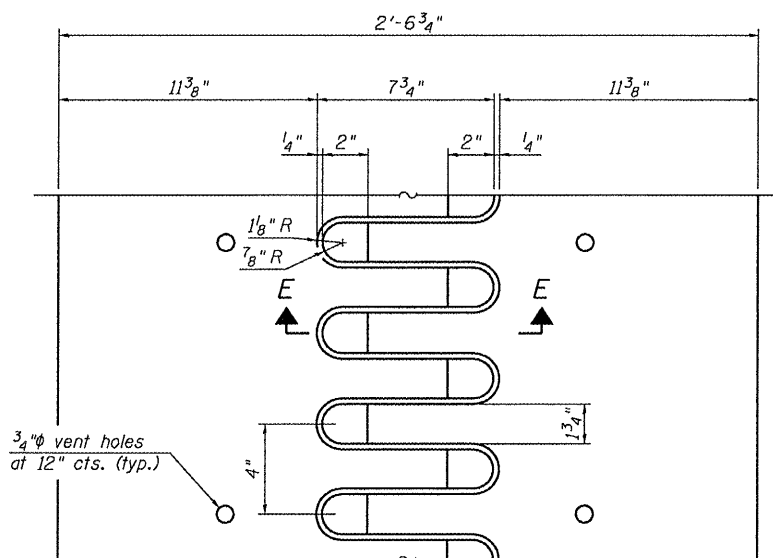
** Install 7/8" φ H.S. bolts in existing 1 5/16" φ holes in existing floor beams at the following locations:
Span 1 - Floor beam 11: Stools 9 and 10 (Remove existing splice bolt)
Span 4 - Floor beam 1: Stools 2 and 3 (Remove existing splice bolt)
Spans 6 and 8 - Floor beam 11: Stools 1 thru 11
Span 7 and 9 - Floor beam 1: Stools 1 thru 11



STOOL DETAIL

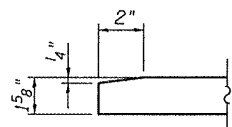


VIEW C-C

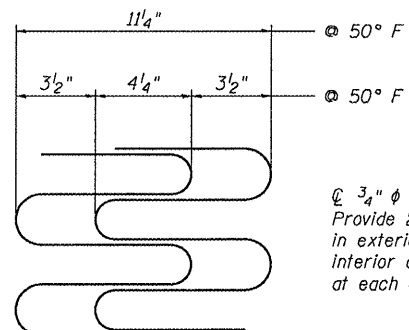


FINGER DETAILS

(Cut from 1 5/8" x 2'-6 3/4" x 23'-9")



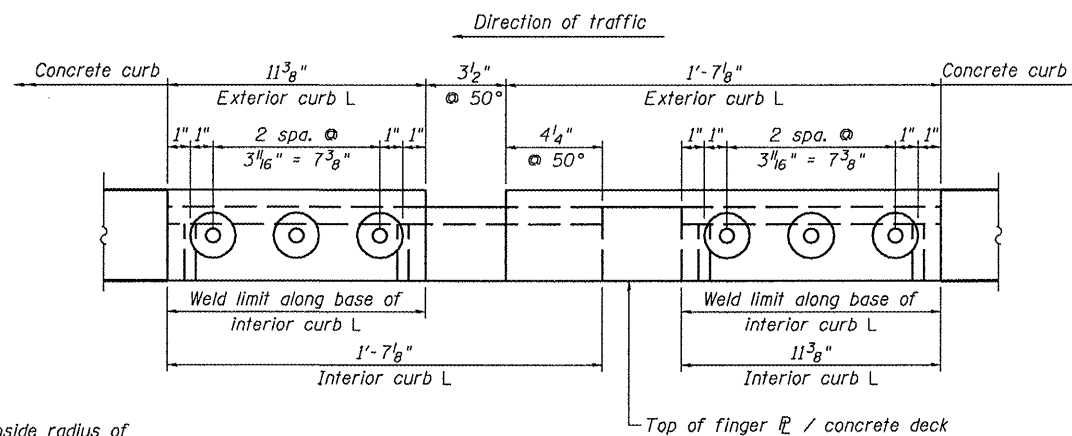
SECTION E-E



SECTION B-B

11'-6" to 12'-0" to 12'-6" Rdwy.
Grind the inside radius of the exterior curb L square
Exterior curb L 4 x 4 x 3/4
***Interior curb L 4 x 4 x 3/4
1/2" Stiffener PL
5/16" 3" 5/16"

*** Cut the vertical leg to allow L to fit inside of curb L.



SECTION D-D

Notes:
Work this sheet with sheets 4 and 5 of 25.

EXPANSION JOINT DETAILS
ILLINOIS ROUTES 100 & 106 OVER
ILLINOIS RIVER
PUBLIC WATERS

DESIGNED - CEH
CHECKED - SDS
DRAWN - DLH
CHECKED - CEH, SDS

WHKS & CO.
ENGINEERING
7018 KINGSMILL CT.,
SPRINGFIELD, IL
(217) 483-9457
DESIGN FIRM #184001036

SHEET NO. 6 OF 25 SHEETS	F.A.P. RTE.	SECTION	COUNTY	TOTAL SHEETS	SHEET NO.
	757	20BR-2	SCOTT/PIKE	30	11
SN 086-0001			CONTRACT NO. 72C39		
FED. ROAD DIST. NO. - ILLINOIS FED. AID PROJECT					