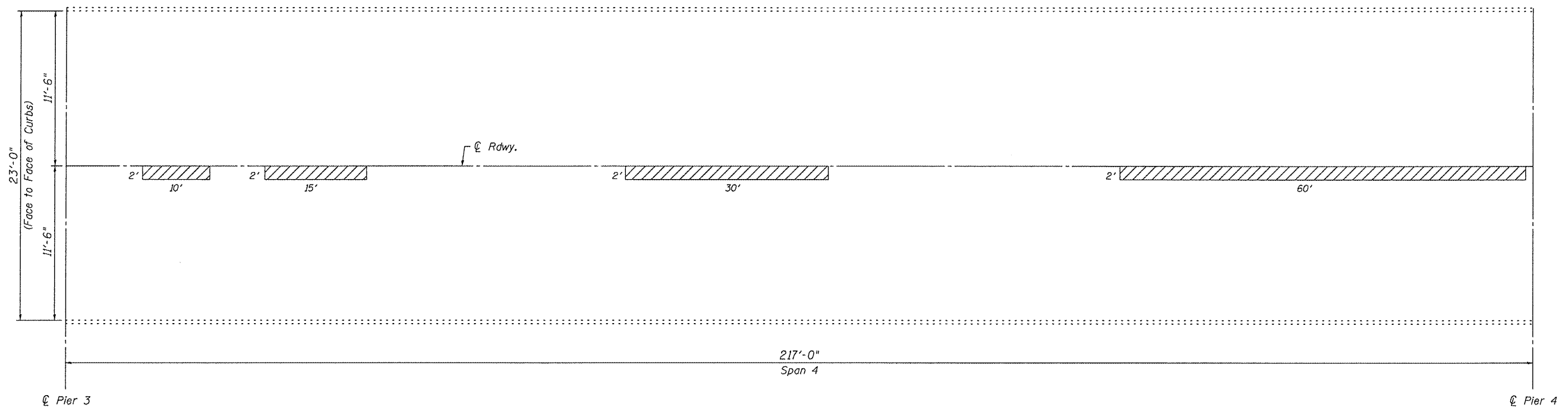
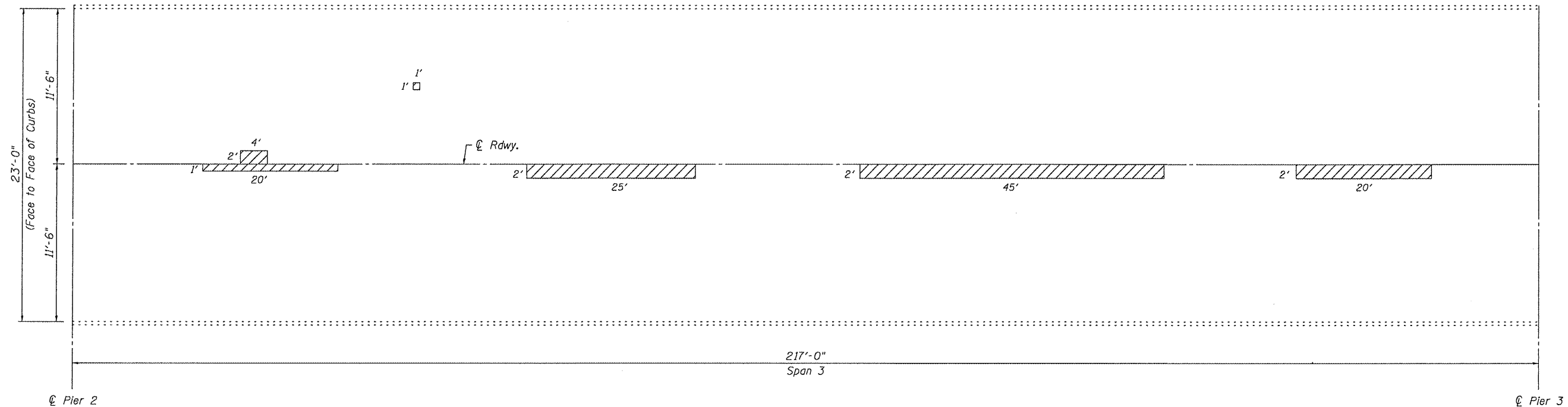
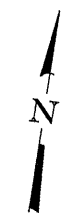


STATE OF ILLINOIS
DEPARTMENT OF TRANSPORTATION



DECK SLAB REPAIRS
ILLINOIS ROUTES 100 & 106 OVER
ILLINOIS RIVER
PUBLIC WATERS

DESIGNED - CEH
CHECKED - SDS
DRAWN - DLH
CHECKED - CEH, SDS

W H K S & CO.
ENGINEERING

7018 KINGSMILL CT.,
SPRINGFIELD, IL.
(217) 483-9457
DESIGN FIRM #184001036

Notes:
Hatching indicates estimated areas of the deck requiring partial depth patches. See Special Provisions for Deck Slab Repair.
Cost included with Deck Slab Repair (Partial).

SHEET NO. 14 OF 25 SHEETS	F.A.P. RTE. 757	SECTION 20BR-2	COUNTY SCOTT/PIKE	TOTAL SHEETS 30	SHEET NO. 19
	SN 086-0001		CONTRACT NO. 72C39		
FED. ROAD DIST. NO. - ILLINOIS FED. AID PROJECT					