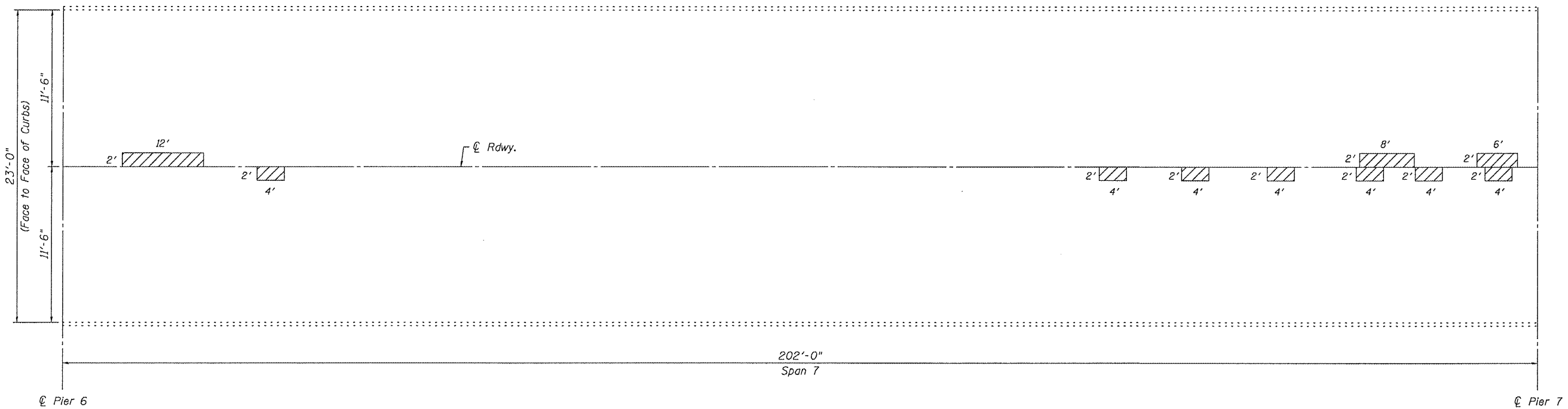
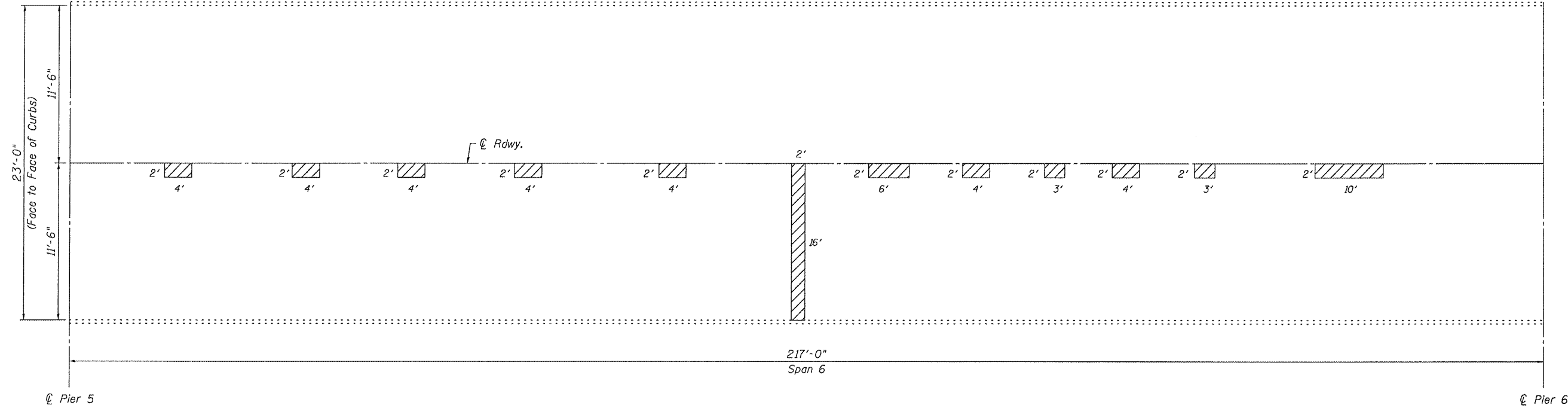
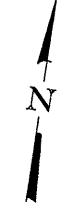


STATE OF ILLINOIS
DEPARTMENT OF TRANSPORTATION



DESIGNED - CEH
CHECKED - SDS
DRAWN - DLH
CHECKED - CEH, SDS

WHKS & CO.
ENGINEERING

7018 KINGSMILL CT.
SPRINGFIELD, IL
(217) 483-9457
DESIGN FIRM #184001036

Notes:
Hatching indicates estimated areas of the deck requiring partial depth patches. See Special Provisions for Deck Slab Repair. Cost included with Deck Slab Repair (Partial).

DECK SLAB REPAIRS
ILLINOIS ROUTES 100 & 106 OVER
ILLINOIS RIVER
PUBLIC WATERS

SHEET NO. 15 OF 25 SHEETS	F.A.P. RTE.	SECTION	COUNTY	TOTAL SHEETS	SHEET NO.
	757	20BR-2	SCOTT/PIKE	30	20
	SN 086-0001		CONTRACT NO. 72C39		
FED. ROAD DIST. NO. - ILLINOIS FED. AID PROJECT					