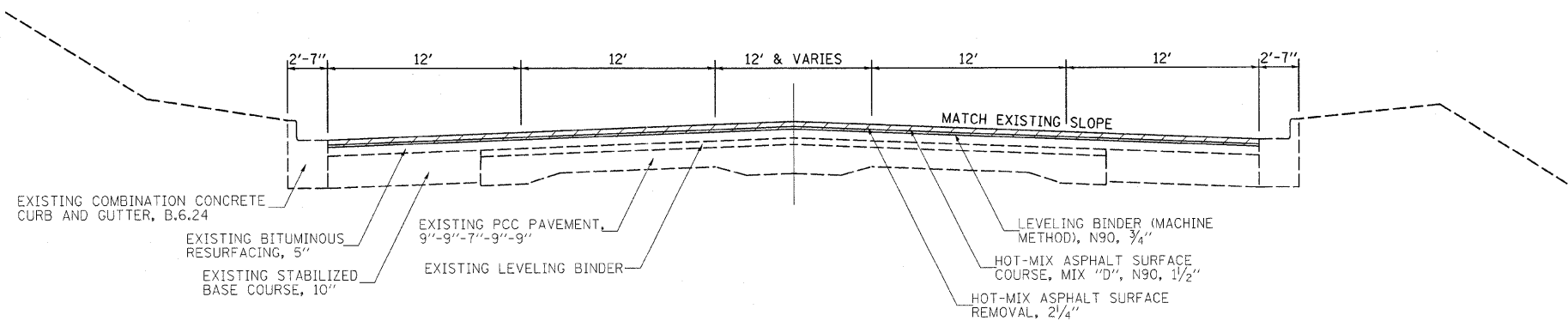


STA 1380+65 TO 1384+00



STA 1384+00 TO 1418+47

• COLES/CUMBERLAND

FILE NAME =	USER NAME = swartzw	DESIGNED -	REVISED -	<b>STATE OF ILLINOIS DEPARTMENT OF TRANSPORTATION</b>	<b>TYPICAL CROSS SECTIONS</b>			F.A.P. RTE.	SECTION	COUNTY	TOTAL SHEETS	SHEET NO.
c:\pwwork\pwwork\swartzw\dms50899\sh...	74157.dgn	DRAWN -	REVISED -					824	(16-2,19X-2)RS-1,19B,19BR	•	52	8
PLOT SCALE = 50.0000' / IN.		CHECKED -	REVISED -		SCALE: N/A			SHEET NO. 2 OF 2 SHEETS			STA.	TO STA.
PLOT DATE = 10/17/2008		DATE -	REVISED -		FED. ROAD DIST. NO. ILLINOIS FED. AID PROJECT							