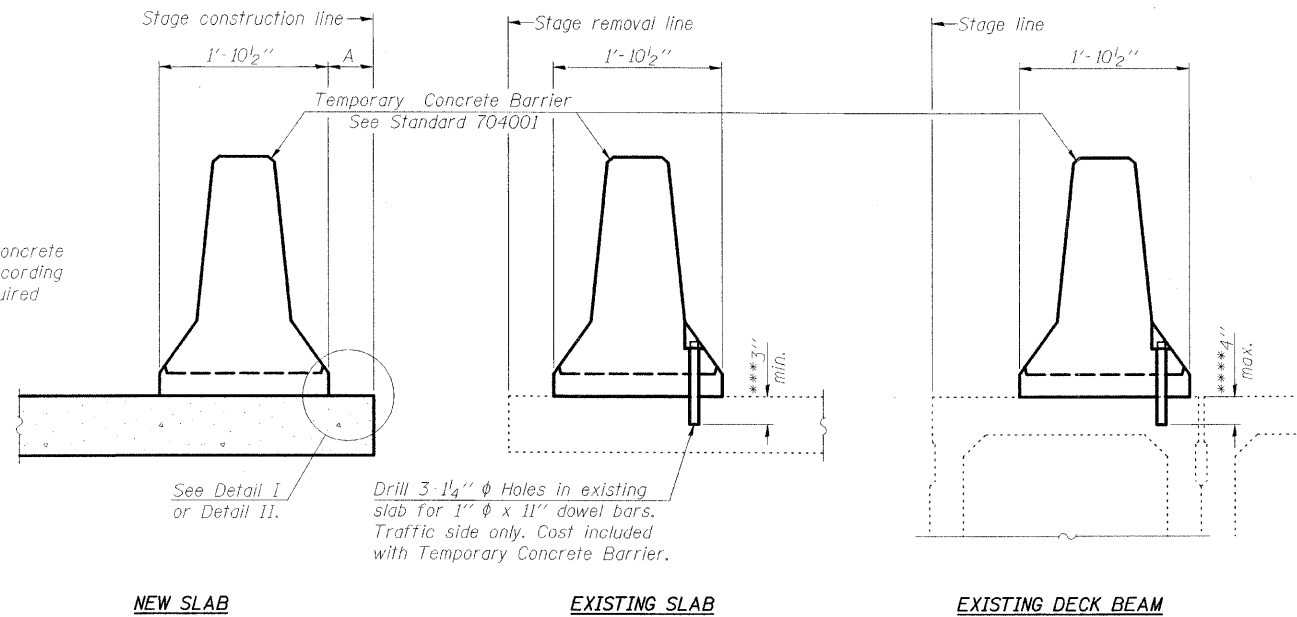


STATE OF ILLINOIS
DEPARTMENT OF TRANSPORTATION

ROUTE NO.	SECTION	COUNTY	SHEET NO.	SHEET
FAP 824	*	COLES	52	43
FED. ROAD DIST. NO.	ILLINOIS	FED. AID PROJECT	SHEET NO. 9 9 SHEETS	
Contract #74157		*16-2, 19X-2)RS-1, 19B, 19BR		



When "A" is 3'-6" or less, the temporary concrete barrier shall be anchored to the new slab according to Detail I or Detail II. No anchorage is required when "A" is greater than 3'-6".

NOTES

Detail I - With Bar Splicer or Couplers:
Connect one (1) 1"x7"x10" steel PL to the top layer of couplers with 2-5/8" φ bolts screwed to coupler at approximate CL of each barrier panel.

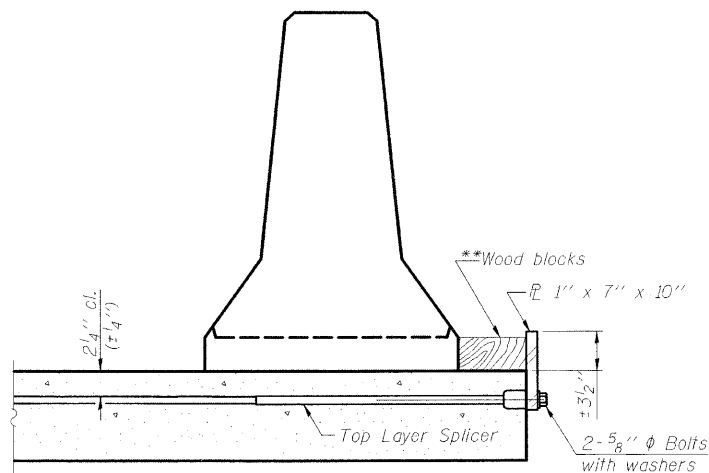
Detail II - With Extended Reinforcement Bars:
Connect one (1) 1"x7"x10" steel PL to the concrete slab or concrete wearing surface with 2-5/8" φ Expansion Anchors or cast in place inserts spaced between the top layer of reinforcement at approximate CL of each barrier panel.

Cost of anchorage is included with Temporary Concrete Barrier. The 1" x 7" x 10" plate shall not be removed until stage II construction forms and all reinforcement bars are in place and the concrete is ready to be placed.

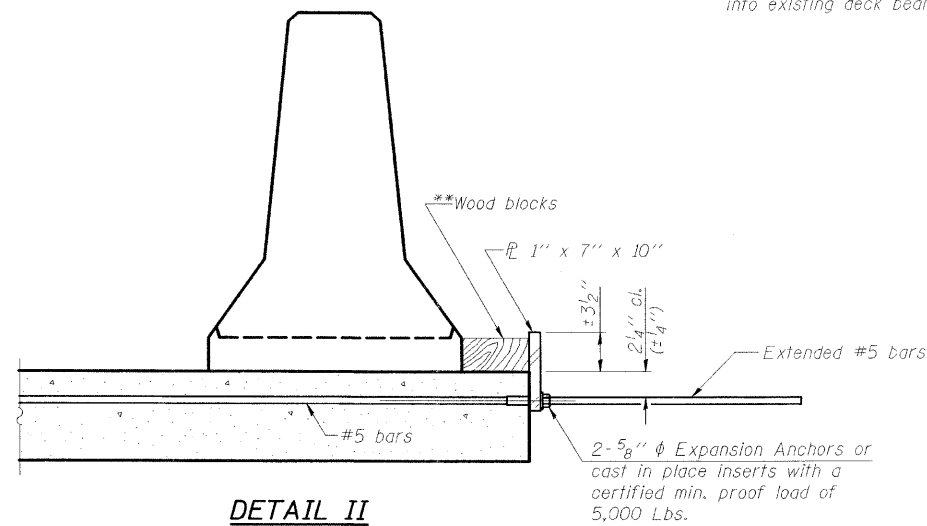
SECTIONS THRU SLAB OR DECK BEAM

***Dimension shown is minimum required embedment into concrete. If hot-mix asphalt wearing surface is present, minimum embedment shall be in addition to wearing surface depth.

****If existing deck beam is to remain in place after stage construction, embedment shall only be into wearing surface and not into existing deck beam concrete.

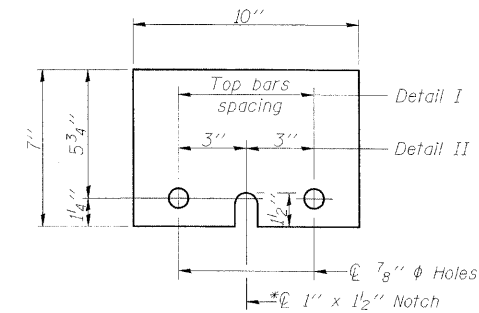


DETAIL I



DETAIL II

**Wood blocks may be omitted when required to provide minimum stage traffic lane width. When the wood blocks are omitted, the concrete barrier shall be in direct contact with the steel retainer plate.



STEEL RETAINER PL 1' x 7' x 10"

*Required only with Detail II

**TEMPORARY CONCRETE BARRIER
FOR STAGE CONSTRUCTION
US 45 OVER KICKAPOO CREEK
FAP ROUTE 824
SECTION (16-2, 19X-2)RS-1, 19B, 19BR
COLES COUNTY
STATION 1381+22.50
STRUCTURE NO. 015-2023**

ESCA
CONSULTANTS, INC.

DESIGNED BY:	DAJ	07/08
DRAWN BY:	HAS	07/08
CHECKED BY:	ELH	08/08
APPROVED BY:	RDP	08/08