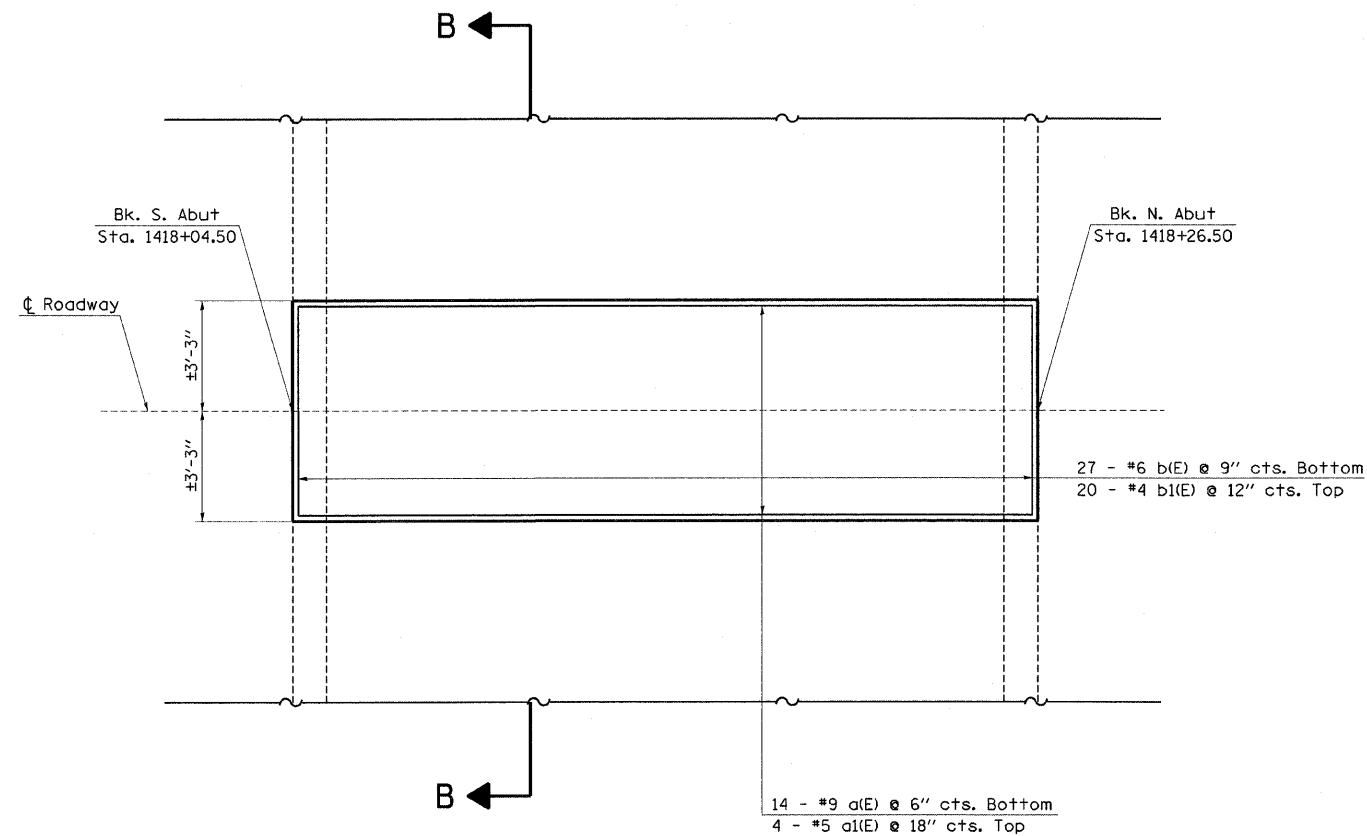
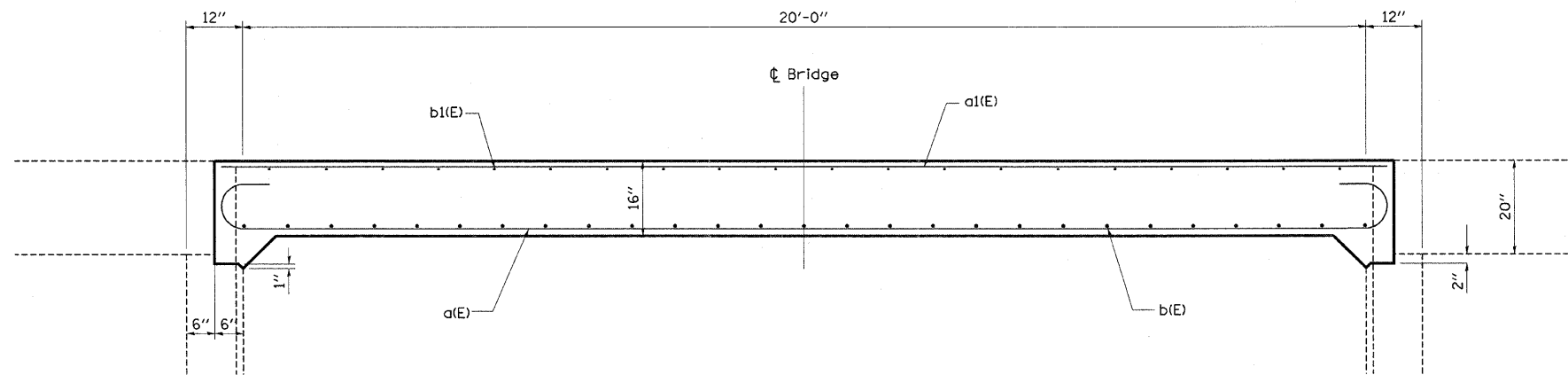


EXISTING PARTIAL PLAN



PROPOSED PARTIAL PLAN



LONGITUDINAL SECTION

SHEET NO. 3
6 SHEETS

FILE NAME =	USER NAME = swartzw	DESIGNED -	REVISED -	STATE OF ILLINOIS DEPARTMENT OF TRANSPORTATION	CENTERLINE JOINT REPLACEMENT DETAILS SN. 015-0025			F.A.P. RTE.	SECTION	COUNTY	TOTAL SHEETS	SHEET NO.	
c:\pwwork\pwwork\dot\swartzw\dms35420\planning\propbr_74157.dgn	PROPBR_74157.dgn	DRAWN -	REVISED -		SCALE: N/A	SHEET NO. 3 OF 6 SHEETS	STA.	TO STA.	824	(16-2,19X-2)RS-1,19B,19BR	COLES,CUMB	52	46
PLOT SCALE = 20,0000' / IN.		CHECKED -	REVISED -		CONTRACT NO. 74157								
PLOT DATE = 10/17/2008		DATE -	REVISED -		FED. ROAD DIST. NO. ILLINOIS FED. AID PROJECT								