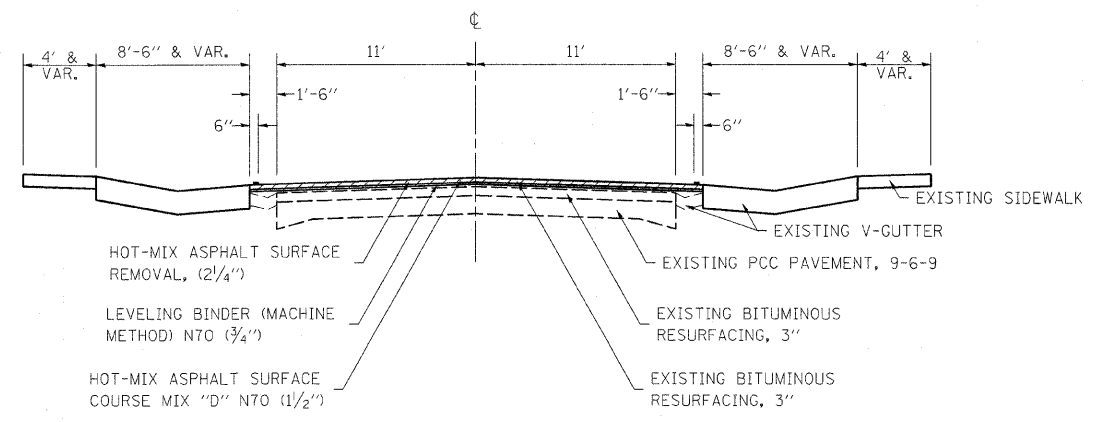


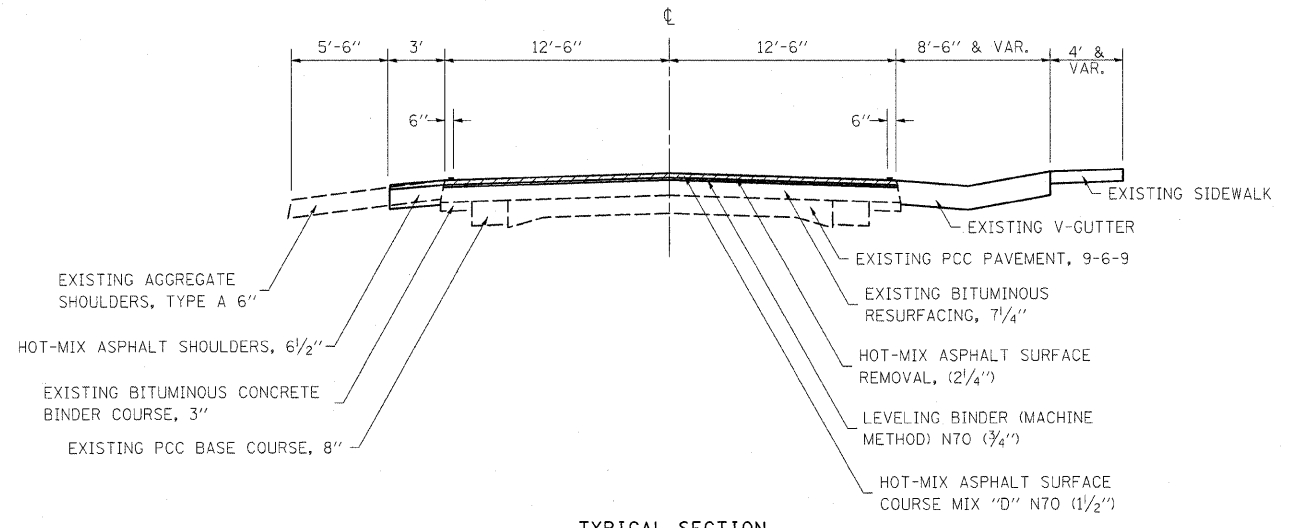
TYPICAL SECTION

•STA 173+10 TO STA 176+82
 ••STA 176+82 TO STA 183+72



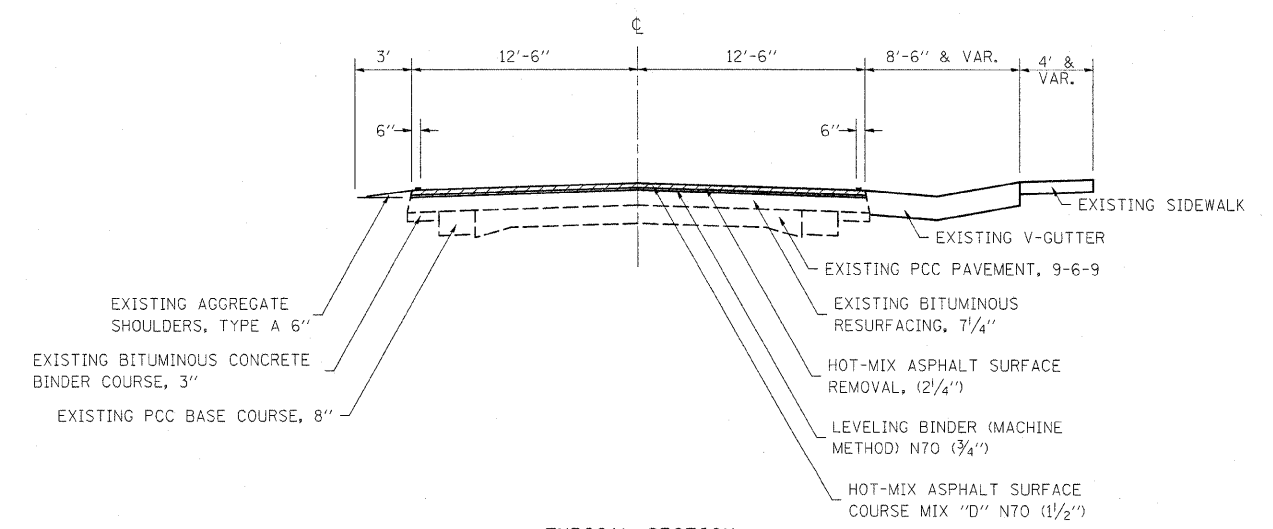
TYPICAL SECTION

STA 411+29 TO STA 424+20



TYPICAL SECTION

STA 410+03 TO STA 411+29



TYPICAL SECTION

STA 424+20 TO STA 427+13

FILE NAME =	USER NAME = stoffenmk	DESIGNED -	REVISED -	STATE OF ILLINOIS DEPARTMENT OF TRANSPORTATION	TYPICAL SECTIONS			F.A.P. RTE. 91	SECTION (5,4)RS-3	COUNTY Coles	TOTAL SHEETS 19	SHEET NO. 5
es:\pw\work\PWIDOT\STEFFENMK\dms50670\074318-sh-typical.dgn	PLOT SCALE = 50,0000 ' / IN.	DRAWN -	REVISED -		SCALE:	SHEET NO. OF SHEETS	STA. TO STA.	FED. ROAD DIST. NO.	ILLINOIS FED. AID PROJECT	CONTRACT NO. 74318		
	PLOT DATE = 10/21/2008	CHECKED -	REVISED -									
		DATE -	REVISED -									