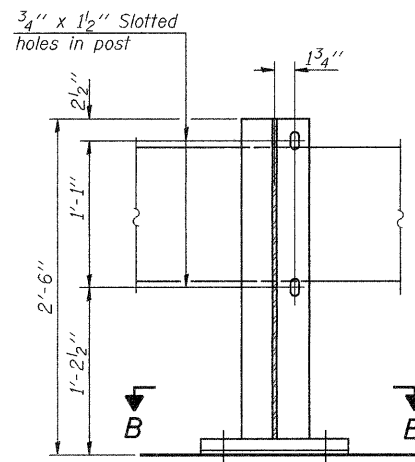


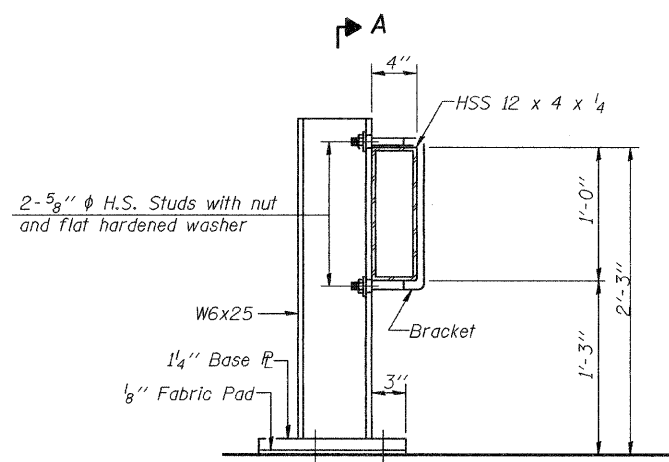
STATE OF ILLINOIS
DEPARTMENT OF TRANSPORTATION

ROUTE NO.	SECTION	COUNTY	TOTAL SHEETS	SHEET NO.	SHEET NO. 4
F.A.P. 42	139BR	BOND	59	37	19 SHEETS
FED. ROAD DIST. NO. 7		ILLINOIS	FED. AID PROJECT-		

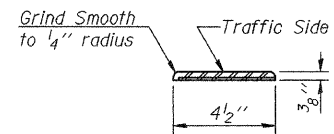
Contract #76391



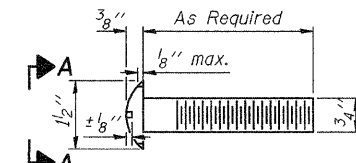
SECTION A-A



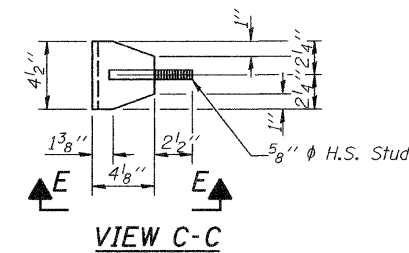
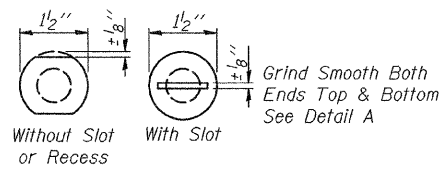
SECTION AT RAIL POST



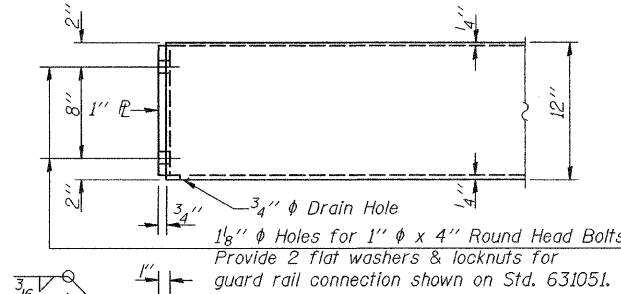
DETAIL A



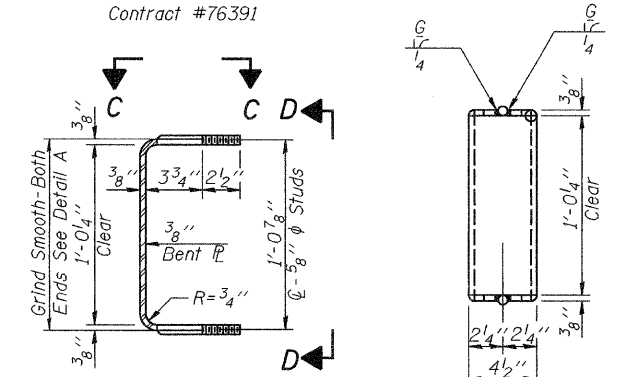
VIEW A-A ROUND HEAD BOLT



VIEW C-C



END OF RAIL DETAILS

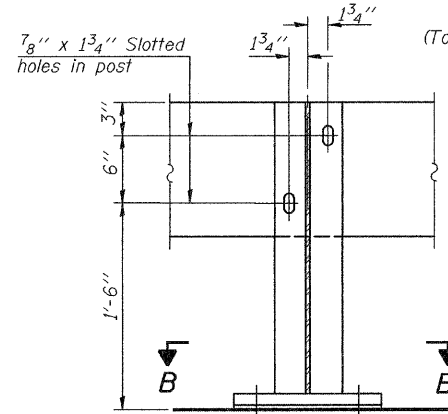


SECTION THRU BRACKET

VIEW D-D

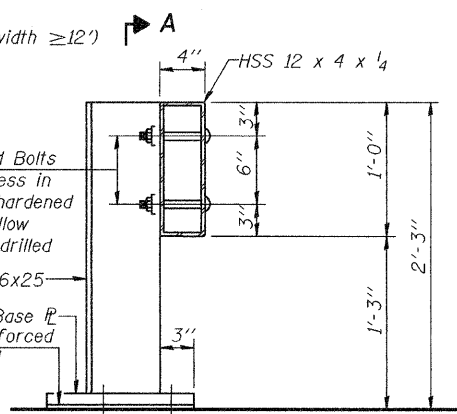
ALTERNATE I

(To be used only for Roadway width $\geq 12'$)

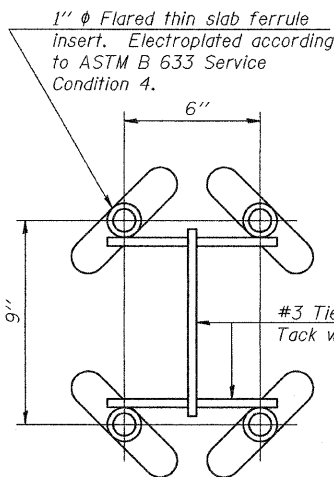


SECTION A-A

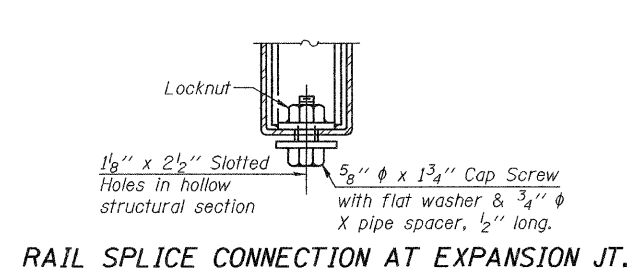
2-3/4" ϕ x 6" Round Head Bolts (With slot or approved recess in head) with locknut & flat hardened washer. 7/8" ϕ holes in hollow structural section may be drilled in the field.



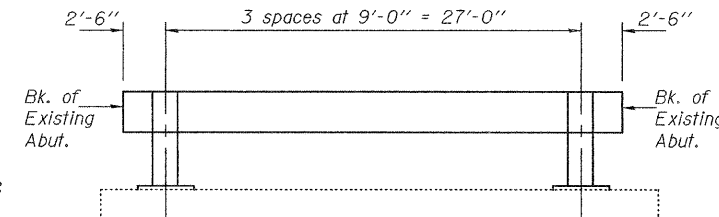
SECTION AT RAIL POST



INSERT DETAIL

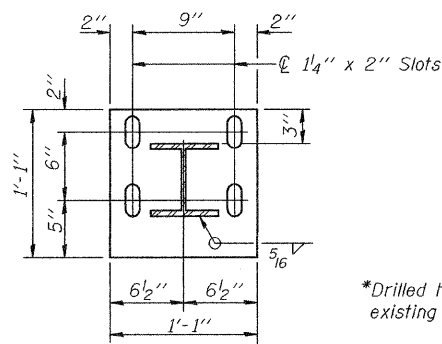


RAIL SPLICE CONNECTION AT EXPANSION JT.



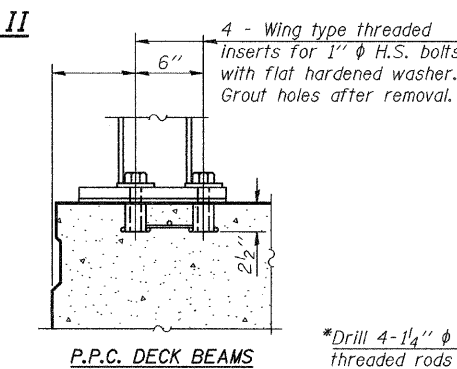
INSIDE ELEVATION
(Showing rail post spacing)

ALTERNATE II



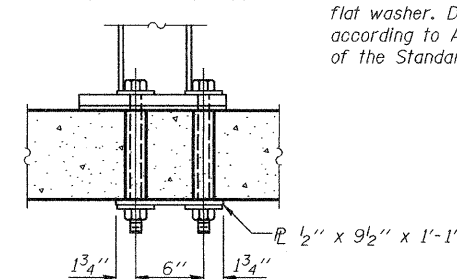
SECTION B-B

*Drilled holes for existing deck.



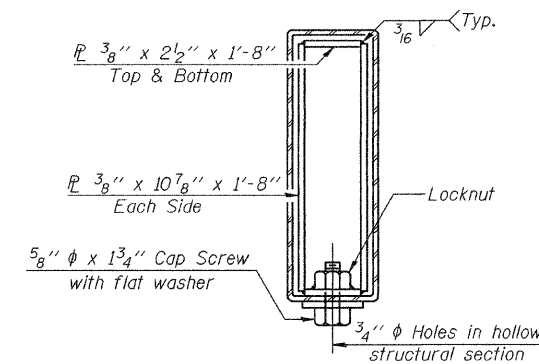
P.P.C. DECK BEAMS

*Drill 4-1 1/4" ϕ holes for 1" ϕ threaded rods with hex nut and flat washer. Drill and set rods according to Article 509.06 of the Standard Specifications.

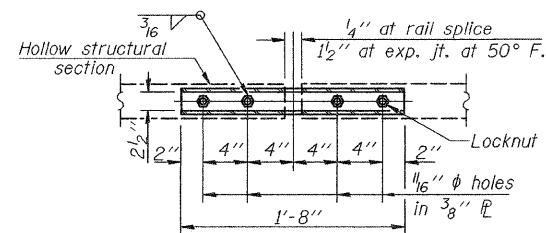


*4-1 1/4" ϕ Formed holes for 1" ϕ H.S. bolts with nut & flat washers. Grout holes in deck after bolt removal.

NEW & EXISTING DECKS
ANCHORAGE DETAILS



SECTION AT RAIL SPLICE



PLAN-BOTTOM. SPLICE & TYPICAL

Notes:
The contact surfaces between post flange, rail and inside face of bracket for Alternate I shall be free of all lubricants.
The nut for 5/8" ϕ high strength studs used in Alternate I to connect bracket to post shall be tightened to a snug fit and given an additional one half turn.

TEMPORARY BRIDGE RAIL POST SPACING

BILL OF MATERIAL

Item	Unit	Quantity
Steel Railing (Temporary)	Foot	32

STEEL RAILING (TEMPORARY)
F.A.P. ROUTE 42 - SECTION 139BR
BOND COUNTY
STATION 2049+33.51
STRUCTURE NO. 003-0061

DESIGNED	Phillip R. Litchfield
CHECKED	Nick R. Barnett
DRAWN	DECKY M. LEACH
CHECKED	P.R.L./N.R.B.

November 7, 2008
EXAMINED Thomas J. Domagalak
PASSED Ralph E. Anderson