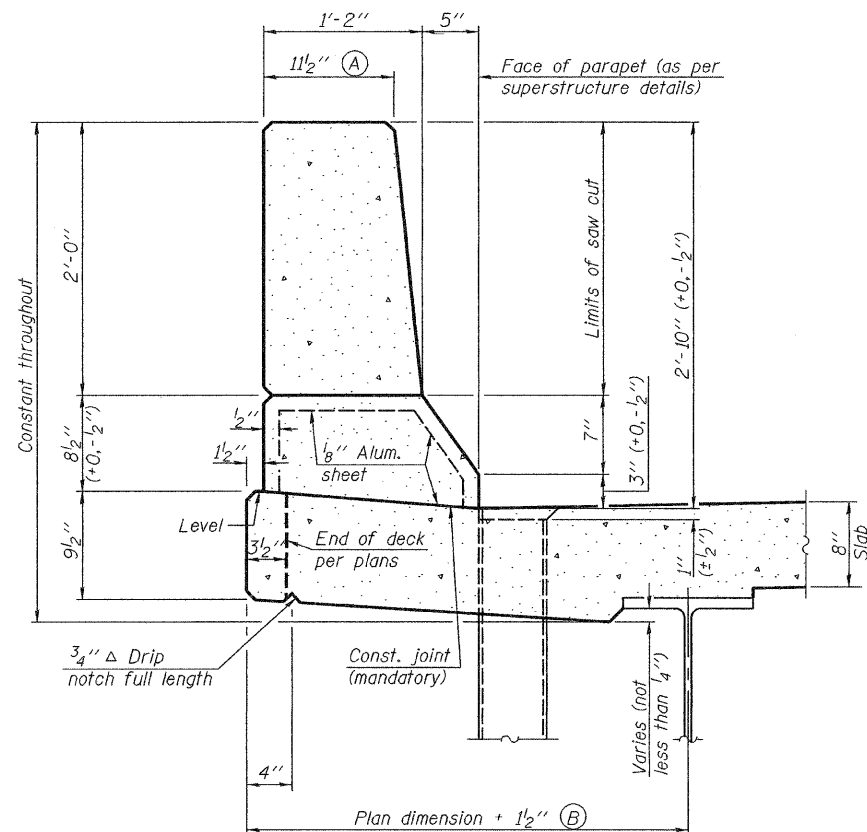


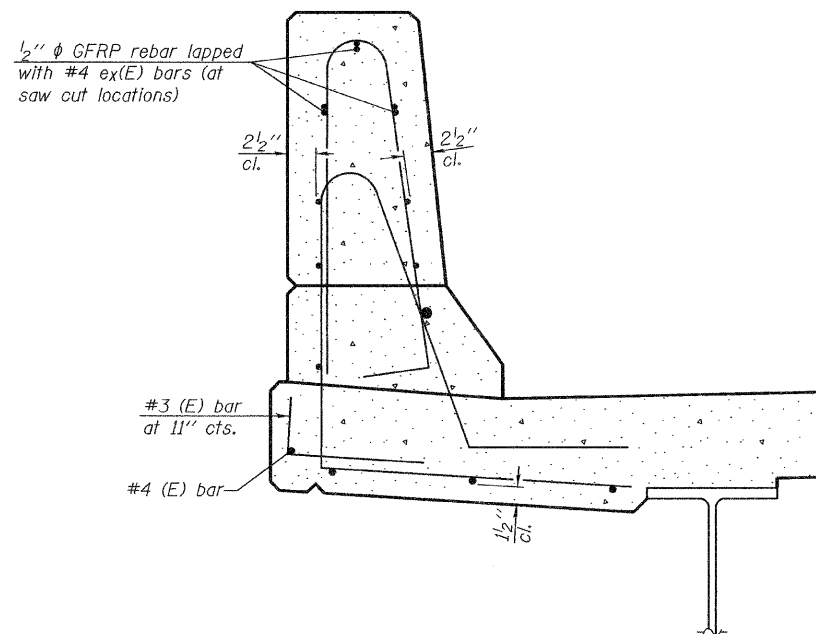
STATE OF ILLINOIS
DEPARTMENT OF TRANSPORTATION

ROUTE NO.	SECTION	COUNTY	TOTAL SHEETS	SHEET NO.	SHEET NO. 18a
F.A.P. 42	139BR	BOND	59	52	19 SHEETS
FED. ROAD DIST. NO. 7	BILLINGS	FED. AID PROJECT-			

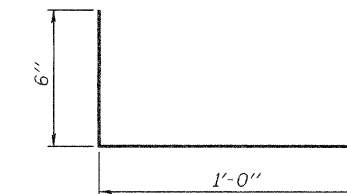
Contract #76391



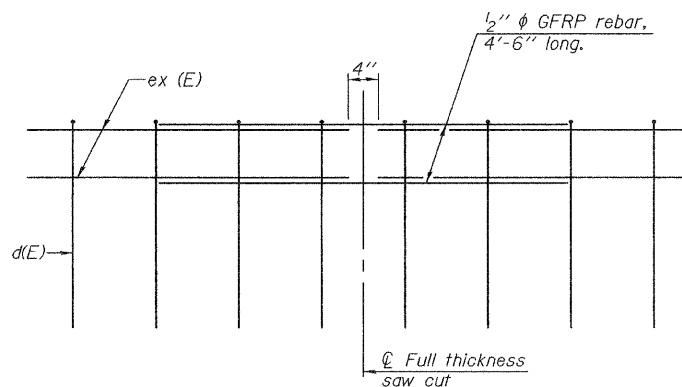
SECTION
(Showing dimensions)



SECTION
(Showing reinforcement clearances for slip forming and additional reinforcement bars)



#3 (E) BAR



GFRP REBAR STIFFENING DETAIL
(Place as shown in parapet section at each parapet joint location.)

CONCRETE PARAPET SLIPFORMING OPTION
F.A.P. ROUTE 42 - SECTION 139BR
BOND COUNTY
STATION 2049+33.51
STRUCTURE NO. 003-0061

DESIGNED Phillip R. Litchfield
CHECKED Nick R. Barnett
DRAWN R. Sommer
CHECKED P.R.L./N.R.B.

November 7, 2008
EXAMINED Thomas J. Domagala
PASSED Ralph E. Anderson

SFP-34 10-1-08