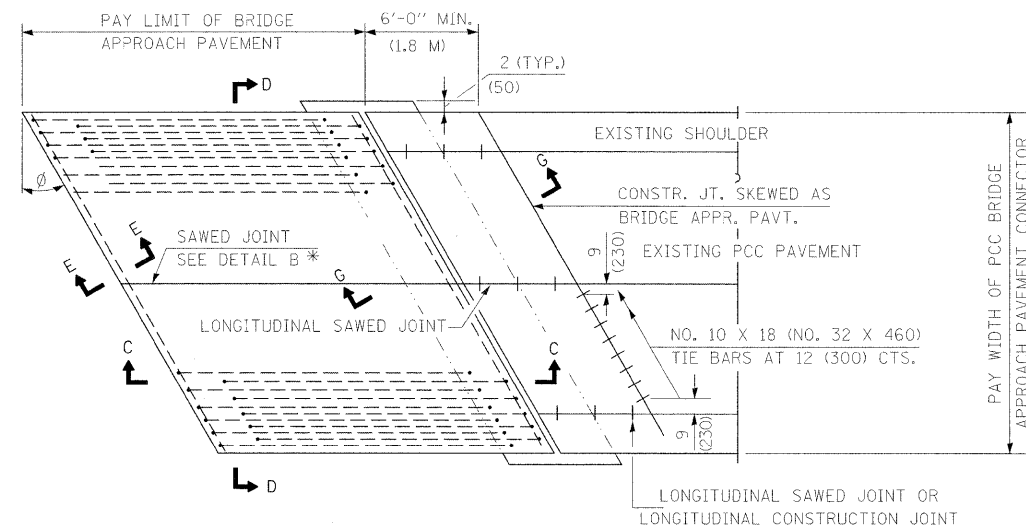
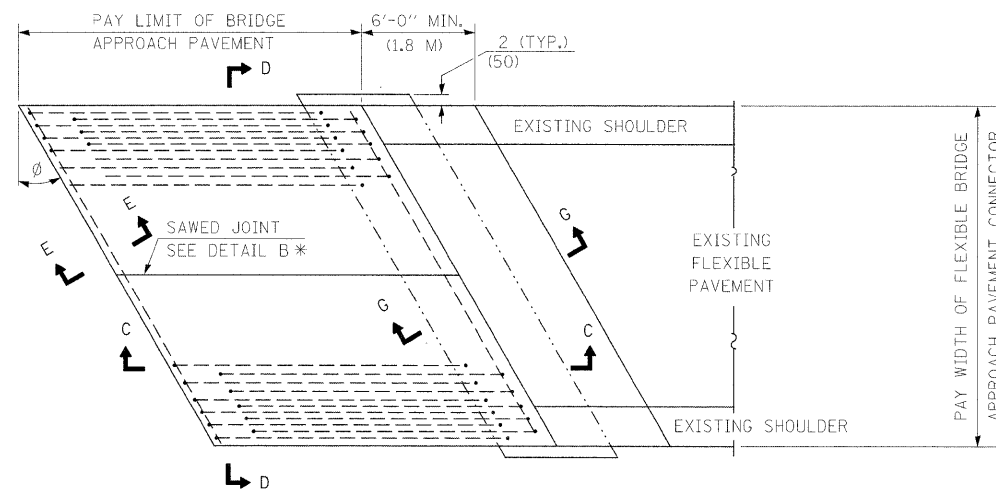


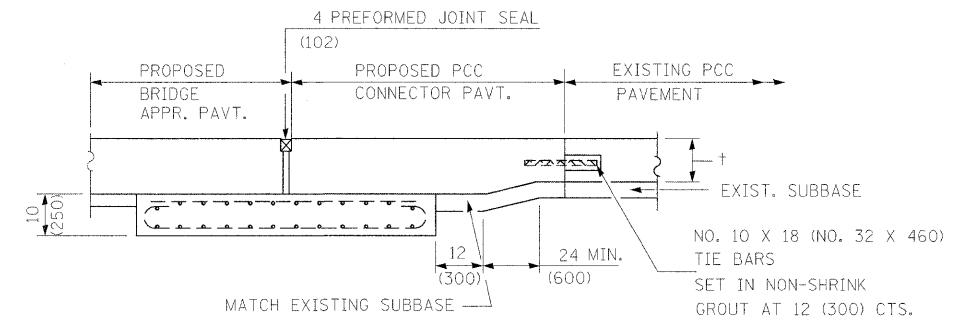
EXISTING CONSTRUCTION



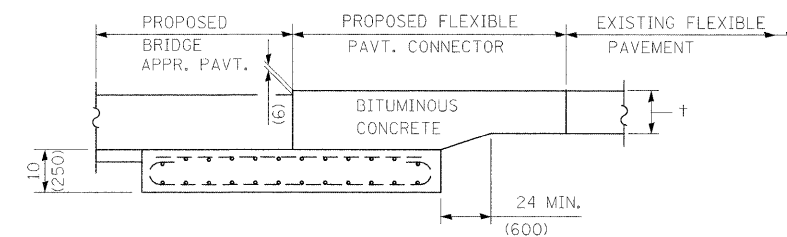
BRIDGE APPROACH PAVEMENT CONNECTOR (PCC)



BRIDGE APPROACH PAVEMENT CONNECTOR (FLEXIBLE)



SECTION G-G - RIGID PAVEMENT



SECTION G-G - FLEXIBLE PAVEMENT

FILE NAME =	USER NAME = marntm	DESIGNED -	REVISED -	STATE OF ILLINOIS DEPARTMENT OF TRANSPORTATION	BRIDGE APPROACH PAVEMENT DETAIL	F.A.P. RTE.	SECTION	COUNTY	TOTAL SHEETS	SHEET NO.	
e:\pwork\pwork\marntm\dms51659\pin0300a.dgn		DRAWN -	REVISED -			10	410BR-1	GREENE	37	12B	
PLOT SCALE = 20.0000 ' / IN.		CHECKED -	REVISED -			CONTRACT NO. 76B58					
PLOT DATE = 10/16/2008		DATE -	REVISED -			ILLINOIS FED. AID PROJECT					
					SCALE:	SHEET NO. 2 OF 4 SHEETS	STA.	TO STA.			