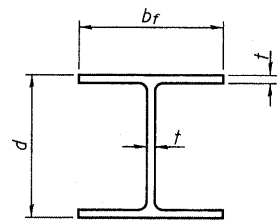
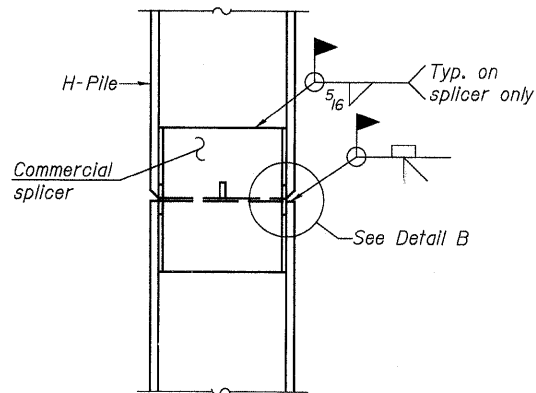


STATE OF ILLINOIS
DEPARTMENT OF TRANSPORTATION

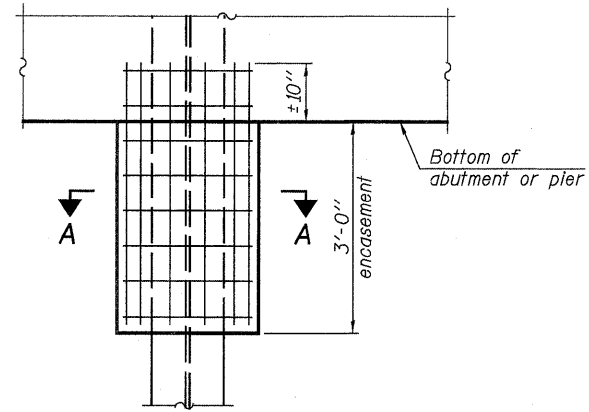


STEEL PILE TABLE

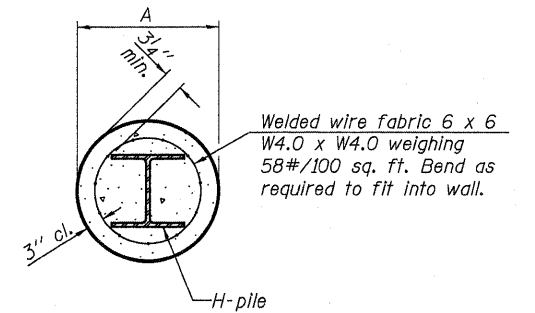
Designation	Depth d	Flange width br	Web and Flange thickness t	Encasement diameter A
HP 14x117	14 1/4"	14 7/8"	1 3/16"	30"
x102	14"	14 3/4"	1 1/16"	30"
x89	13 7/8"	14 3/4"	5/8"	30"
x73	13 5/8"	14 5/8"	1/2"	30"
HP 12x84	12 1/4"	12 1/4"	1 1/16"	24"
x74	12 1/8"	12 1/4"	5/8"	24"
x63	12"	12 1/8"	1/2"	24"
x53	11 3/4"	12"	7/16"	24"
HP 10x57	10"	10 1/4"	9/16"	24"
x42	9 3/4"	10 1/8"	7/16"	24"
HP 8x36	8"	8 1/8"	7/16"	18"



ELEVATION



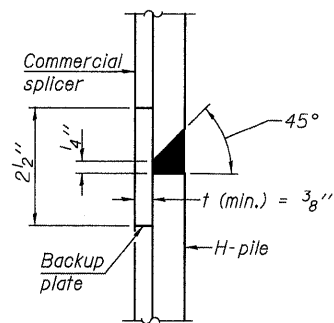
ELEVATION



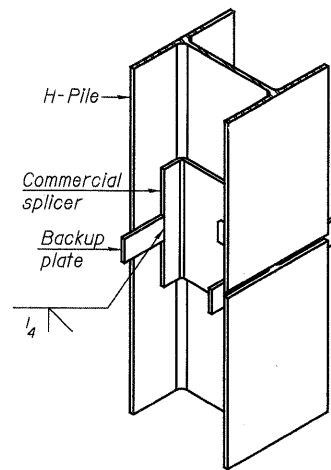
SECTION A-A

Note: Forms for encasement may be omitted when soil conditions permit.

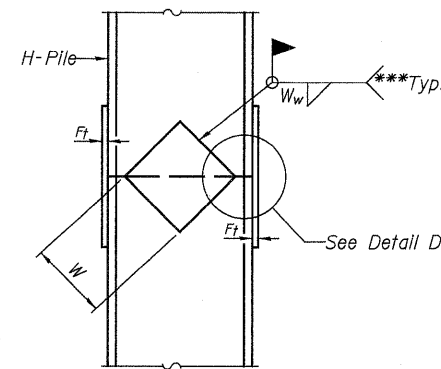
PILE ENCASEMENT



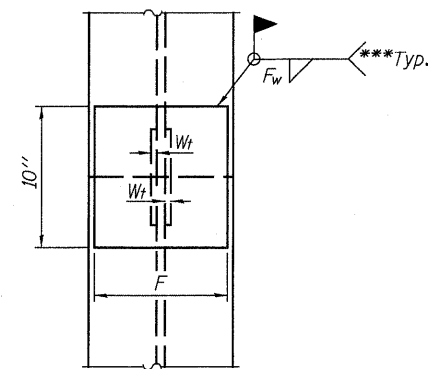
DETAIL "B"



ISOMETRIC VIEW

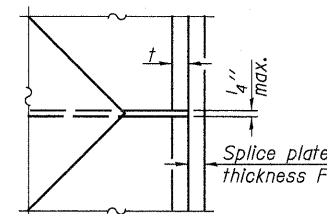


ELEVATION



END VIEW

WELDED COMMERCIAL SPLICE

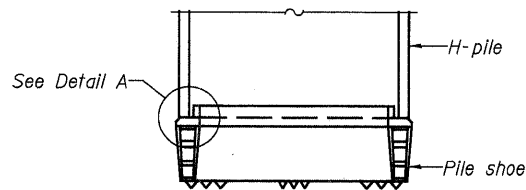


DETAIL D

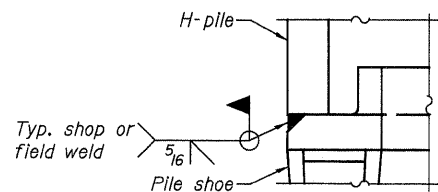
Designation	F	Ft	Fw	W	Wt	Ww
HP 14x117	12 1/2"	1"	7/8"	7 3/4"	5 8/16"	1/2"
x102	12 1/2"	7/8"	3/4"	7 3/4"	5 8/16"	1/2"
x89	12 1/2"	3/4"	1 1/16"	7 3/4"	5 8/16"	1/2"
x73	12 1/2"	5/8"	9/16"	7 3/4"	5 8/16"	1/2"
HP 12x84	10"	7/8"	1 1/16"	6 1/2"	5 8/16"	1/2"
x74	10"	7/8"	1 1/16"	6 1/2"	5 8/16"	1/2"
x63	10"	5/8"	1/2"	6 1/2"	1/2"	3/8"
x53	10"	5/8"	1/2"	6 1/2"	1/2"	3/8"
HP 10x57	8"	3/4"	9/16"	5 1/4"	1/2"	3/8"
x42	8"	5/8"	9/16"	5 1/4"	1/2"	3/8"
HP 8x36	7"	5/8"	7/16"	4 1/4"	1/2"	3/8"

WELDED PLATE FIELD SPLICE

Note: The steel H-piles shall be according to AASHTO M270 Grade 50.

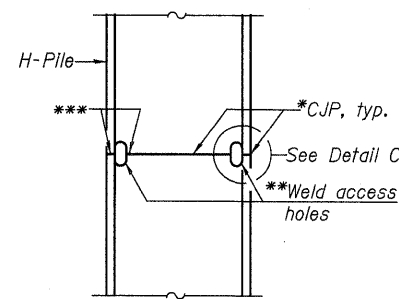


ELEVATION

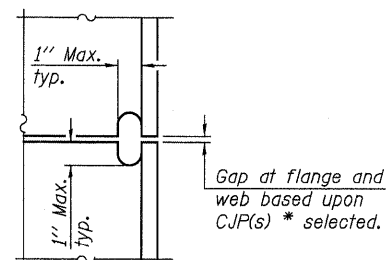


DETAIL A

H-PILE SHOE ATTACHMENT



ELEVATION



DETAIL C

COMPLETE PENETRATION WELD SPLICE

*Use joint conforming to Figure 3.4 in AWS D1.1, Structure Welding Code-Steel.

**Preparation per Fig. 5.2 in AWS D1.1, Structure Welding Code-Steel.

***Interrupt welds 1/4" from end of each pile.

DESIGNED: JDQ	DRAWN: SJS
CHECKED: DCD	CHECKED: DCD

F-HP 5-16-08

SHEET 15 OF 19		F.A.P. RTE. 10	SECTION 410BR-1	COUNTY GREENE	TOTAL SHEETS 37	SHEET NO. 27
		STA. 85+20.50		CONTRACT NO. 76B58		
		FED. ROAD DIST. NO.		ILLINOIS FED. AID PROJECT		

HP PILE DETAILS
ILLINOIS 267 OVER
TAYLOR CREEK
STRUCTURE NO. 031-0043

FILE: J:\JDQ\10163 IL-08VVV8 IL 267 Taylor Creek-FINAL\1-TaylorCreek\Splices.dgn

USER: DCD

DATE: 10/07/2008 15:06:27