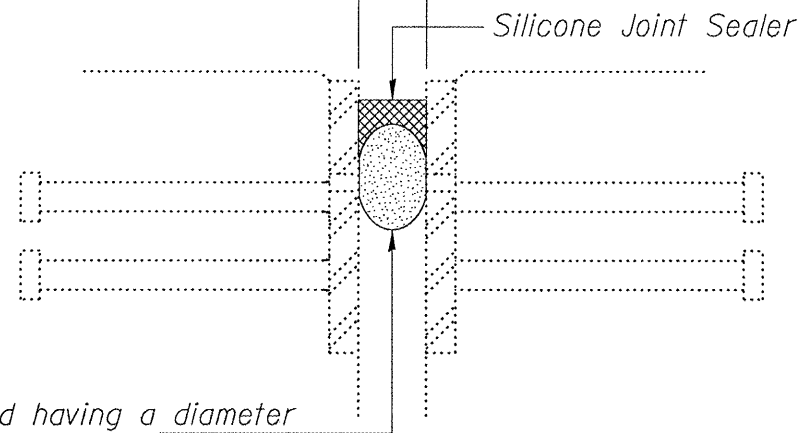


2 3/4" N. Abut, SN 028-0013  
 1 3/4" S. Abut, SN 028-0013

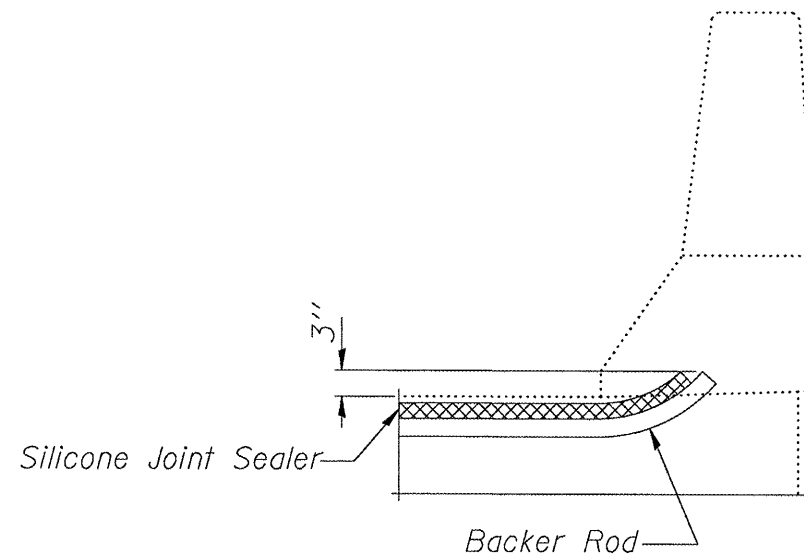
2 3/4" Typ.  
 SN 028-0012



Backer Rod having a diameter  
 25% greater than the joint  
 opening at the time of installation.

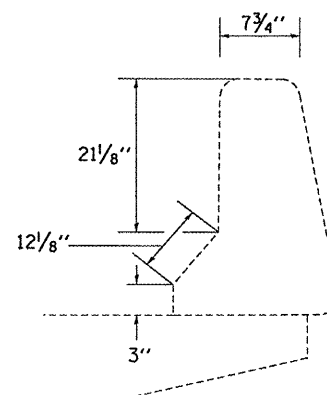
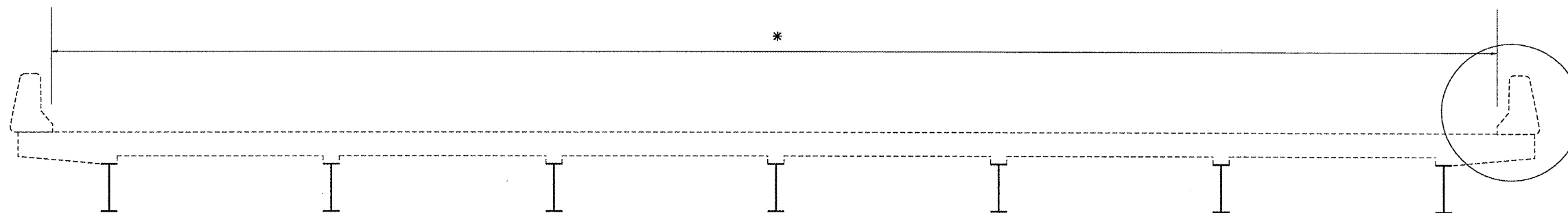
**SILICONE JOINT SEALER DETAIL**

Cost of removing the existing PJS is included  
 with the cost of Silicone Joint Sealer.



**END OF SEAL TREATMENT**

**PARAPET DETAIL**



\* SEE SCHEDULE ON SHEET 16 FOR WIDTH

SN 028-0012 & 028-0013

FILE NAME =	USER NAME = #USER#	DESIGNED -	REVISED -
#FILE#		DRAWN -	REVISED -
	PLOT SCALE = #SCALE#	CHECKED -	REVISED -
	PLOT DATE = #DATE#	DATE -	REVISED -

STATE OF ILLINOIS  
 DEPARTMENT OF TRANSPORTATION

SILICONE JOINT SEALER AND PARAPET DETAILS

F.A.I. RTE.	SECTION	COUNTY	TOTAL SHEETS	SHEET NO.
57	*	Franklin	52	51
CONTRACT NO. 78046				

SCALE: SHEET NO. OF SHEETS STA. TO STA.

FED. ROAD DIST. NO. ILLINOIS FED. AID PROJECT  
 28-11.1-1-2,2-1,3,3SIRS-1