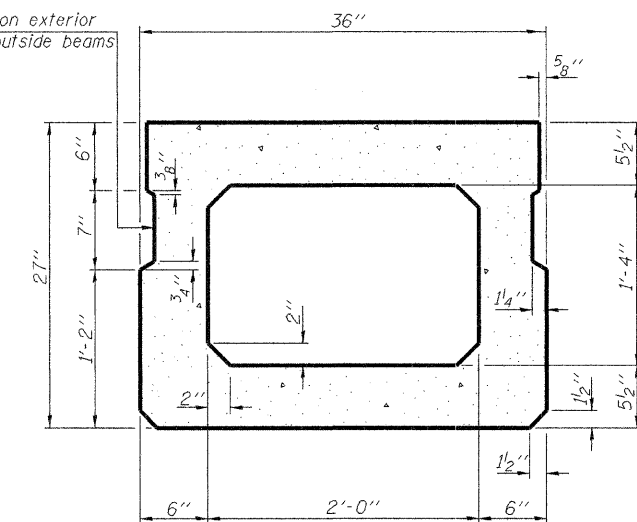
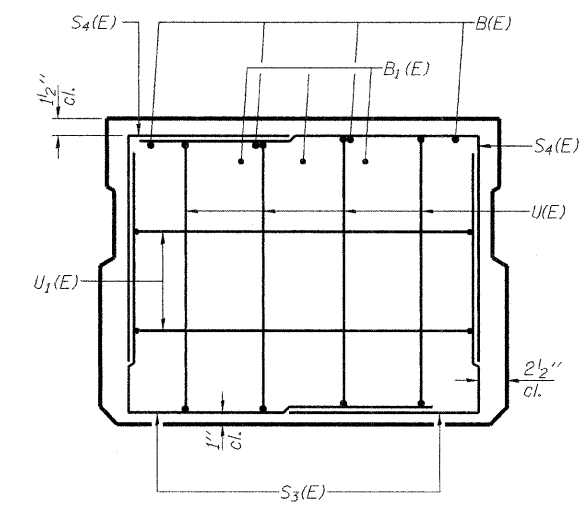


SECTION C-C

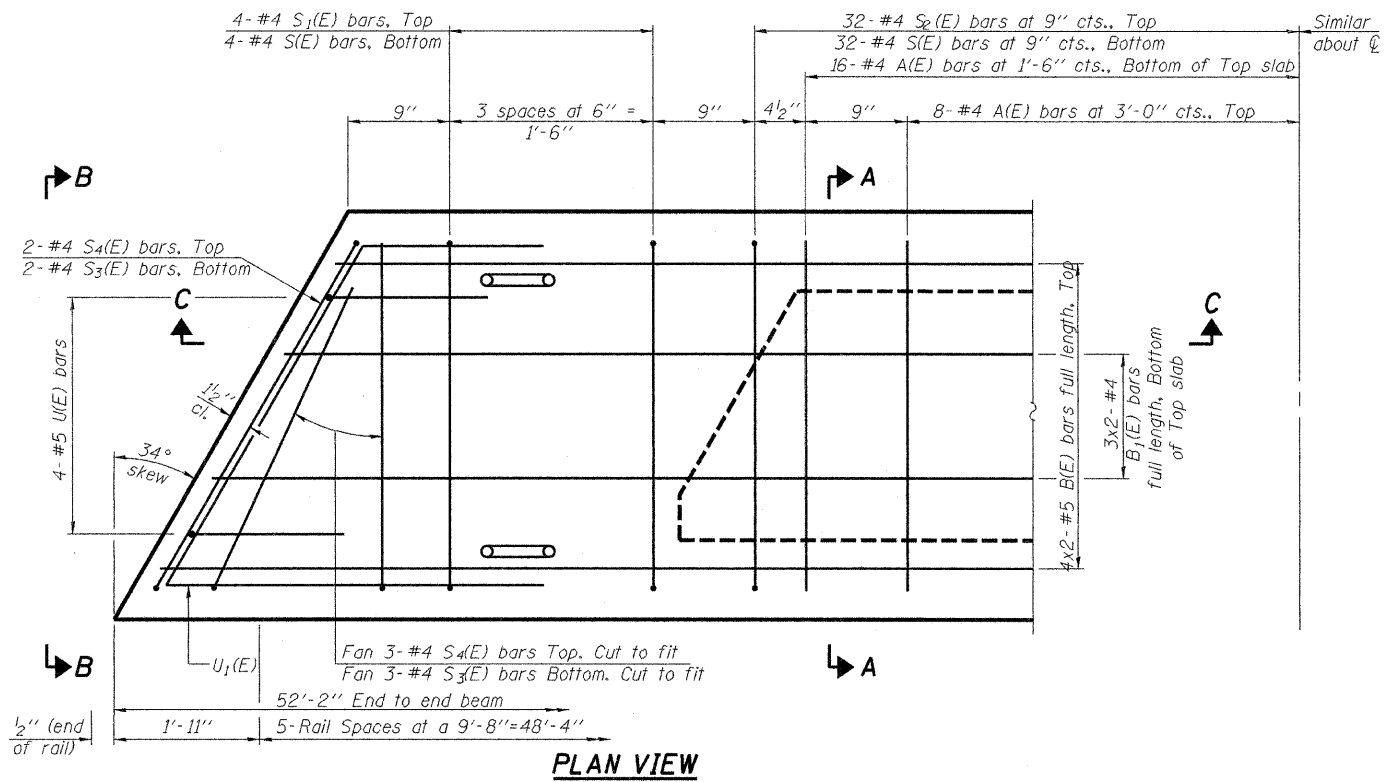
Omit key on exterior face of outside beams



SECTION A-A
(Showing dimensions)

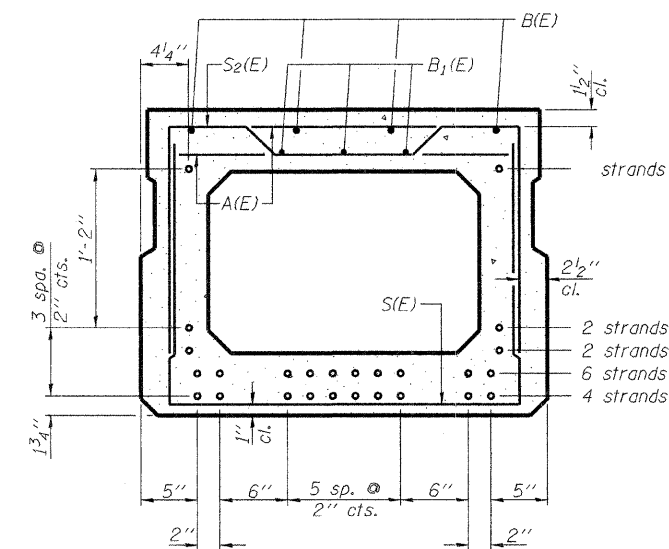


VIEW B-B



PLAN VIEW

Note: Spacing of S(E) and S2(E) bars may be adjusted up to 4" in the immediate area of the transverse tie diaphragms to miss the block outs for the transverse ties.



SECTION A-A

(Showing reinforcement and permissible strand locations)
Note: Place the number of strands specified in each row symmetrically about the centerline of beam in the permissible strand locations shown.

BAR LIST
ONE BEAM ONLY
(For information only)

Bar	No.	Size	Length	Shape
A(E)	47	#4	2'-7"	—
B(E)	8	#5	27'-0"	—
B1(E)	6	#4	26'-9"	—
S(E)	71	#4	6'-5"	—
S1(E)	8	#4	5'-11"	—
S2(E)	63	#4	6'-2"	—
S3(E)	10	#4	4'-8"	—
S4(E)	10	#4	4'-8"	—
U(E)	8	#5	4'-6"	—
U1(E)	4	#4	7'-2"	—

Note: See sheet 3 of 7 for additional details and Bill of Material.

MIN. BAR LAP

- #4 1'-8"
- #5 2'-2"

27" X 36" PPC DECK BEAM

SUPERSTRUCTURE
TR 164 OVER SWANK CREEK

DATE: 09-29-2008 DRAWN BY: ADG CHECKED BY: DF

ESI CONSULTANTS, LTD
753 WINDSOR ROAD
CHARLESTON, IL 61930
(217) 348-1100
WWW.ESICONSULTANTS.LTD.COM
ILLINOIS DEPARTMENT OF PROFESSIONAL REGULATION REGISTRATION 8184-003685

PD-2736-L 5-16-08

SHEET NO. 2 OF 7 SHEETS	F.A. RTE.	SECTION	COUNTY	TOTAL SHEETS	SHEET NO.
		01-03131-00-BR	VERMILION	13	5
		SN 092-3494	CONTRACT NO. 91365		
FED. ROAD DIST. NO. ILLINOIS FED. AID PROJECT					

PRINTED DATE: 10/6/2008
 n:\proj\ec\1\verm\11101_ county of yr. 164 over swank creek\cadd\gn\sheet\05_Super.dgn