

TYPICAL APPLICATIONS OF URBAN PAVEMENT MARKINGS AND MARKERS

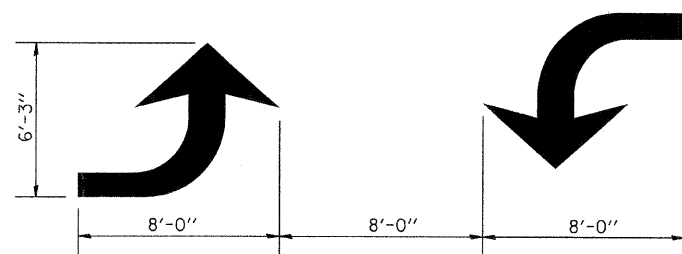
F.A.P. RTE.	SECTION	COUNTY	TOTAL SHEETS	SHEET NO.
807	00-00374-01-PV	CHAMPAIGN	242	121
STA.	TO STA.			
	ILLINOIS	F.A. PROJ. NO. RS-HPP-1805(00D)		
CONTRACT NO. 91368				

TYPICAL PAVEMENT MARKING LEGEND

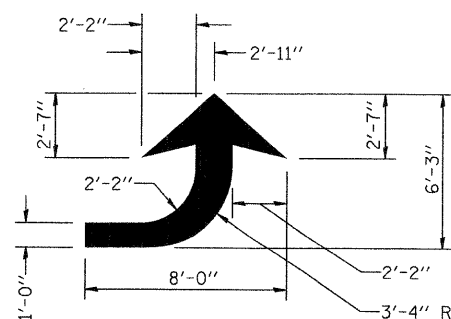
- 1 4" SKIP-DASH (YELLOW)
 - 2 4" SOLID (YELLOW)
 - 3 12" DIAGONAL (YELLOW)
 - 4 4" DOUBLE YELLOW (NARROW)
 - 5 4" DOUBLE YELLOW (WIDE)
 - 6 6" DIAGONAL (YELLOW)
 - 7 4" SKIP-DASH (WHITE)
 - 8 4" SOLID (WHITE)
 - 9 12" DIAGONAL (WHITE)
 - 10 6" CROSS WALK (WHITE)
 - 11 24" STOP BAR (WHITE)
 - 12 8" SOLID (WHITE)
 - 13 4" LANE LINE EXTENSIONS (WHITE)
 - 14 RESERVED
-

TYPICAL PAVEMENT MARKERS LEGEND

- ◆ TWO-WAY AMBER MARKER
- ▶ ONE-WAY AMBER MARKER
- ▷ ONE-WAY CRYSTAL MARKER

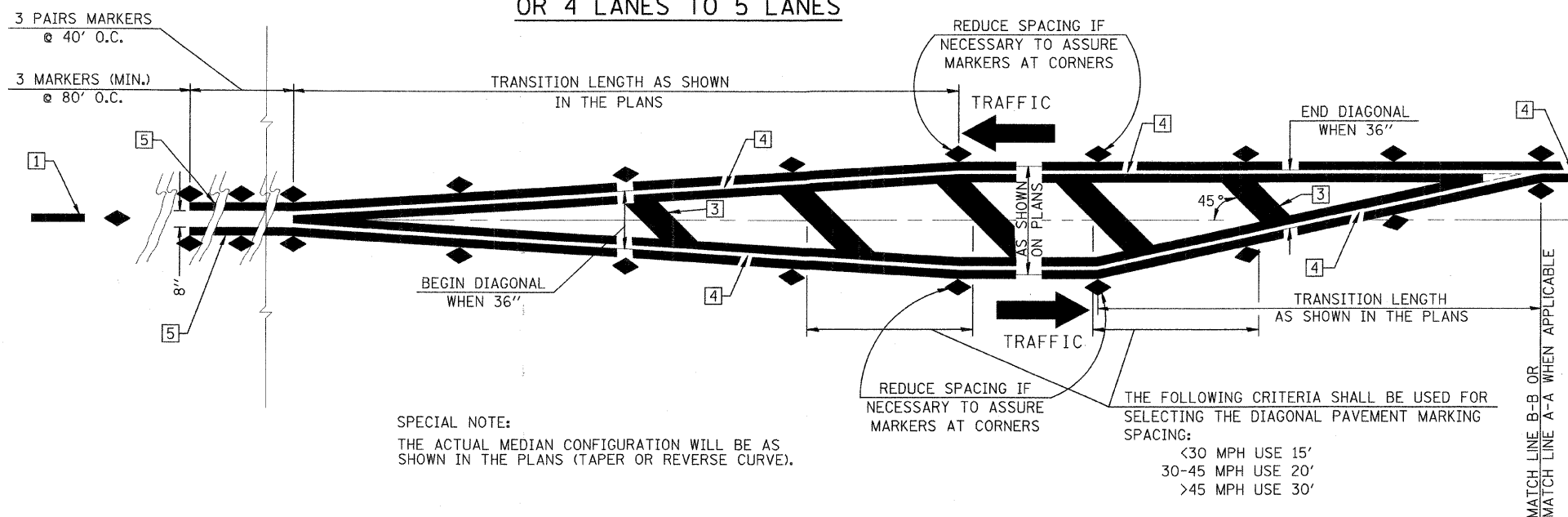


TYPICAL DOUBLE TURN ARROWS (WHITE)

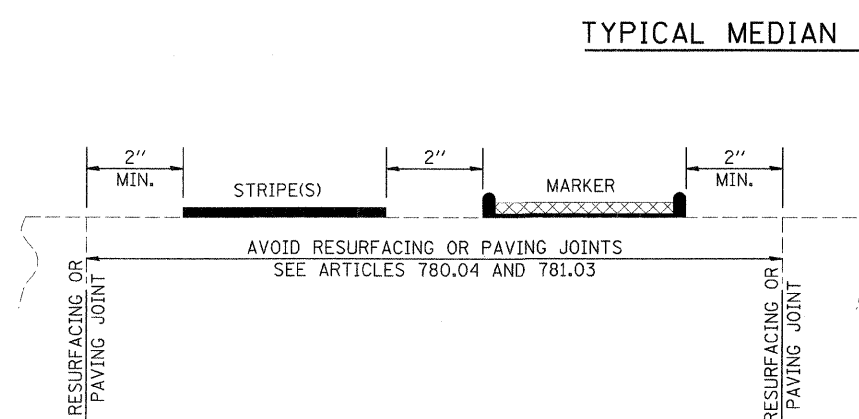


LEFT ARROW
REVERSE FOR RIGHT ARROW
AREA = 15.6 SQ. FT.
(WHITE)

2 LANES TO 3 LANES OR 4 LANES TO 5 LANES



TYPICAL MEDIAN TRANSITIONS

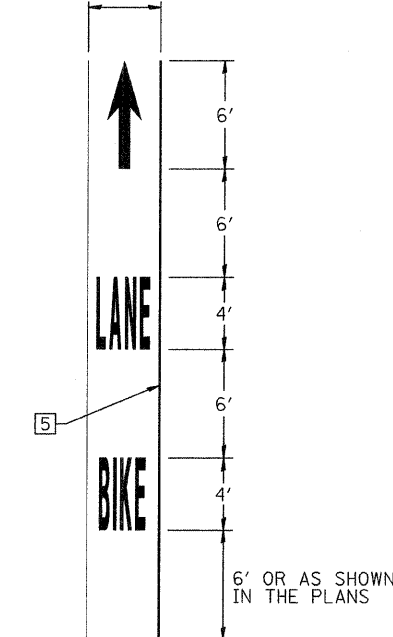


RELATIONSHIP OF STRIPES, MARKERS, AND JOINTS

GENERAL NOTES

1. WHEN PAVEMENT MARKINGS ARE TO BE PLACED ADJACENT TO MEDIANS, SPECIAL DETAILS WILL BE INCLUDED ELSEWHERE IN THE PLANS.
2. SCALE: NONE
3. SOME OF THE INFORMATION INCLUDED WITH THIS DETAIL MAY NOT BE APPLICABLE TO THIS IMPROVEMENT.
4. PAVEMENT MARKINGS ARE TO BE EXTENDED THROUGH OMISSIONS WHEN APPLICABLE.
5. A STRIPING KEY IS AVAILABLE ELSEWHERE AND SHALL BE SHOWN WHERE THE QUANTITIES ARE LISTED.
6. FINAL PAVEMENT MARKINGS SHALL BE IN PLACE PRIOR TO PLACING ANY RAISED REFLECTIVE PAVEMENT MARKERS.

4' @ 8' SIDEWALK 5' @ 10' SHOULDER



TYPICAL BIKEWAY PAVEMENT MARKINGS

DIRECTIONAL ARROW (WHITE) AREA = 4.4 SF
LANE (WHITE) AREA = 4.91 SF
BIKE (WHITE) AREA = 4.91 SF

ILLINOIS DEPARTMENT OF TRANSPORTATION

PAVEMENT MARKING DETAILS

DATE : 10-08
DRAWN BY : J.L.B.
CHECKED BY : R.L.H.

SCALE : NONE