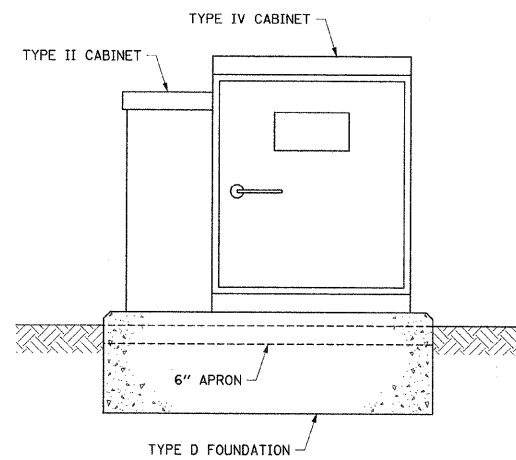
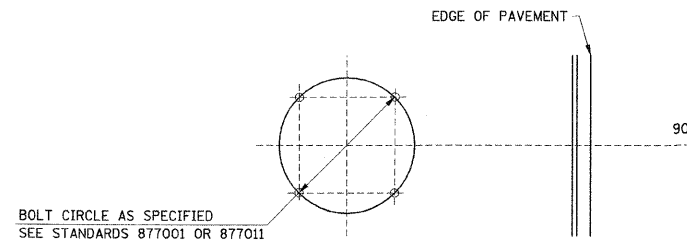


F.A.P. RTE.	SECTION	COUNTY	TOTAL SHEETS	SHEET NO.
807	00-00374-01-PV	CHAMPAIGN	242	131
STA.	TO STA.			
ILLINOIS F.A. PROJ. NO. RS-HPP-1805(00)				
CONTRACT NO. 91368				

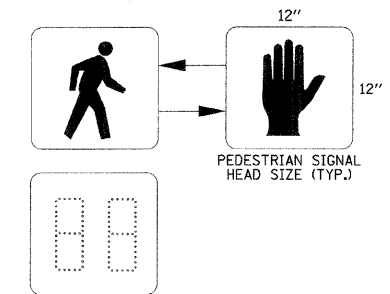


UPS BATTERY CABINET MOUNTING DETAIL

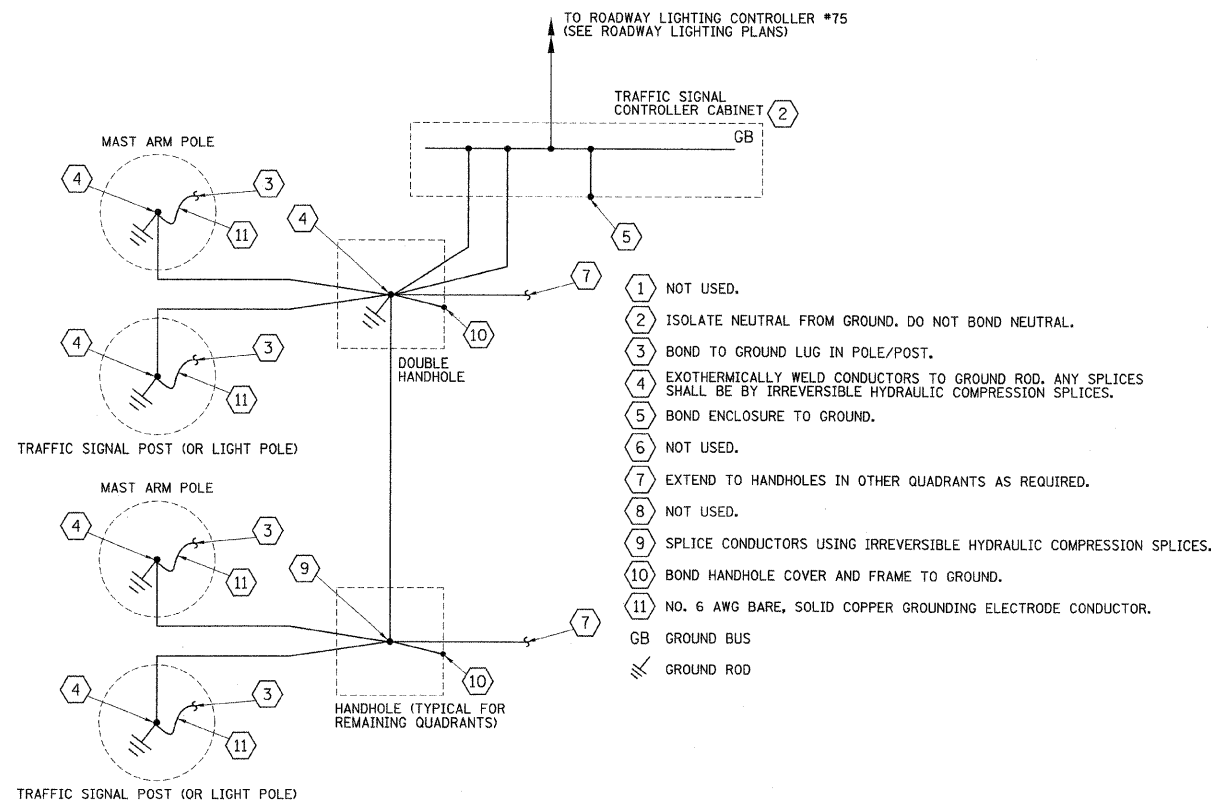


MAST ARM FOUNDATION BOLT PATTERN DETAIL

ORIENTATION OF ANCHOR BOLTS TO BE FIELD VERIFIED

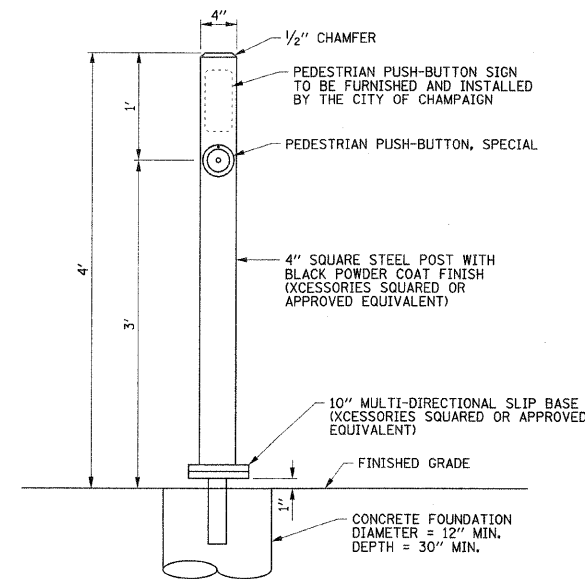


PEDESTRIAN COUNTDOWN SIGNAL DISPLAY DETAILS

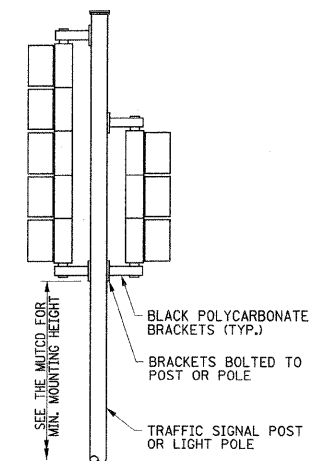


TRAFFIC SIGNAL GROUNDING DIAGRAM

ALL WIRES SHALL BE NO. 6 AWG STRANDED COPPER CONDUCTORS WITH XLP INSULATION UNLESS OTHERWISE INDICATED. THE INSULATION COLOR SHALL BE GREEN.



PEDESTRIAN PUSH-BUTTON POST DETAILS



TRAFFIC SIGNAL MOUNTING DETAILS

ONE 3-SECTION SIGNAL HEAD AND ONE 5-SECTION SIGNAL HEAD BRACKET MOUNTED WITH BOTTOM SECTIONS AT COMMON ELEVATION

ILLINOIS DEPARTMENT OF TRANSPORTATION
CURTIS ROAD & MATTIS AVENUE
TRAFFIC SIGNAL PLANS
 TRAFFIC SIGNAL DETAILS

DATE : 10-08
 DRAWN BY : J.A.J.
 CHECKED BY : R.L.H.
 SCALE : NONE