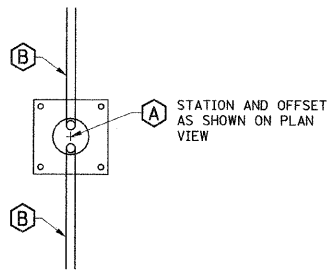
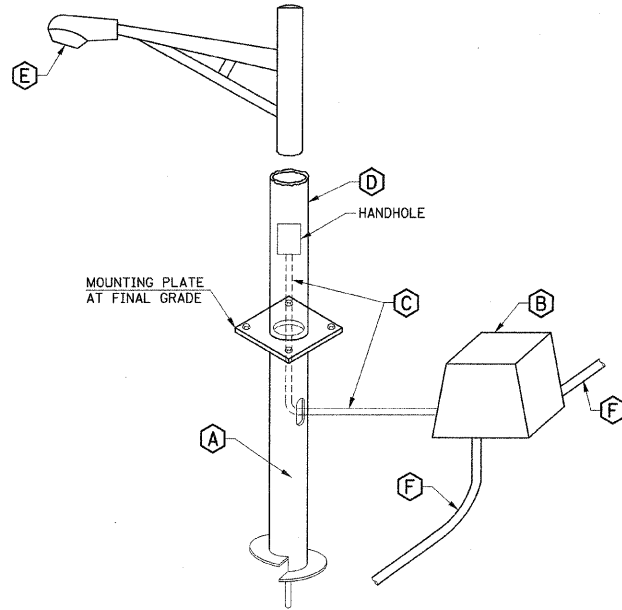


**FOUNDATION/HANDHOLE DETAIL (CHAMPAIGN)**  
NO SCALE

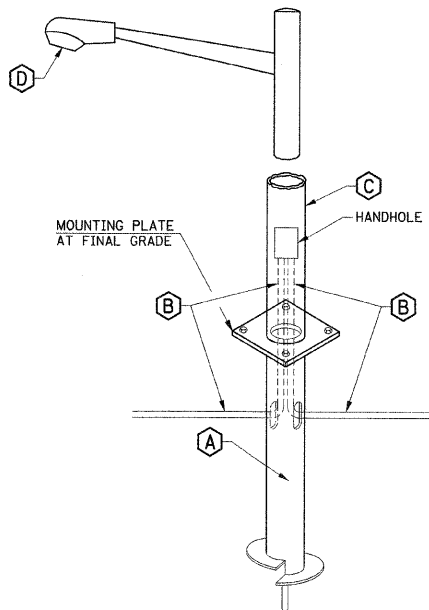


**FOUNDATION DETAIL (SAVOY)**  
NO SCALE

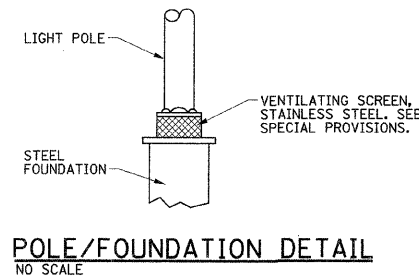
SUMMARY OF ROADWAY LIGHTING QUANTITIES					
CODE NO.	ITEM	UNIT	QUANTITY	CHAMPAIGN	SAVOY
80400105	ELECTRIC SERVICE INSTALLATION, SPECIAL	EACH	3	1	2
81012400	CONDUIT IN TRENCH, 1 1/4" DIA., PVC	FOOT	927	758	169
81012600	CONDUIT IN TRENCH, 2" DIA., PVC	FOOT	13903	7387	6516
81021550	CONDUIT AUGERED, 2" DIA., PVC	FOOT	2292	683	1609
81306500	REMOVE EXISTING JUNCTION BOX	EACH	2	2	
81702110	ELECTRIC CABLE IN CONDUIT, 600V (XLP-TYPE USE) 1/C NO. 10	FOOT	7425	4500	2925
81702120	ELECTRIC CABLE IN CONDUIT, 600V (XLP-TYPE USE) 1/C NO. 8	FOOT	23300	13375	9925
81702130	ELECTRIC CABLE IN CONDUIT, 600V (XLP-TYPE USE) 1/C NO. 6	FOOT	45200	17500	27700
81702140	ELECTRIC CABLE IN CONDUIT, 600V (XLP-TYPE USE) 1/C NO. 4	FOOT	7950	7950	
81900200	TRENCH AND BACKFILL FOR ELECTRICAL WORK	FOOT	3301	596	2705
81900300	TRENCH AND BACKFILL WITH SCREENINGS OR SAND	FOOT	10575	7068	3507
82102250	LUMINAIRE, SODIUM VAPOR, HORIZONTAL MOUNT, 250 WATT	EACH	58		58
83007300	LIGHT POLE, ALUMINUM, 35 FT. M.H., 8 FT. MAST ARM	EACH	36		36
83008300	LIGHT POLE, ALUMINUM, 40 FT. M.H., 8 FT. MAST ARM	EACH	43	43	
83600200	LIGHT POLE FOUNDATION, 24" DIAMETER	FOOT	96	16	80
83600405	POLE FOUNDATION, STEEL	EACH	78	43	35
84200805	POLE FOUNDATION REMOVED, METAL	EACH	2	2	
84400105	RELOCATE EXISTING LIGHTING UNIT	EACH	2	2	
X8250011	LIGHTING CONTROLLER, LOCATION NO. 1	L SUM	1	1	
X8250012	LIGHTING CONTROLLER, LOCATION NO. 2	L SUM	1		1
X8250013	LIGHTING CONTROLLER, LOCATION NO. 3	L SUM	1		1
	JUNCTION BOX, SPECIAL (12"W x 12"L x 12"D)	EACH	53	43	10
	JUNCTION BOX, SPECIAL (13"W x 24"L x 12"D)	EACH	7	4	3
	LIGHT POLE, ALUMINUM, 35 FT. M.H., 2-8 FT. MAST ARMS	EACH	9		9
	LUMINAIRE, SODIUM VAPOR, HORIZONTAL MOUNT, 250 WATT, SPECIAL	EACH	45	45	
	ROADWAY LIGHTING CONDUIT REMOVAL	FOOT	351	351	



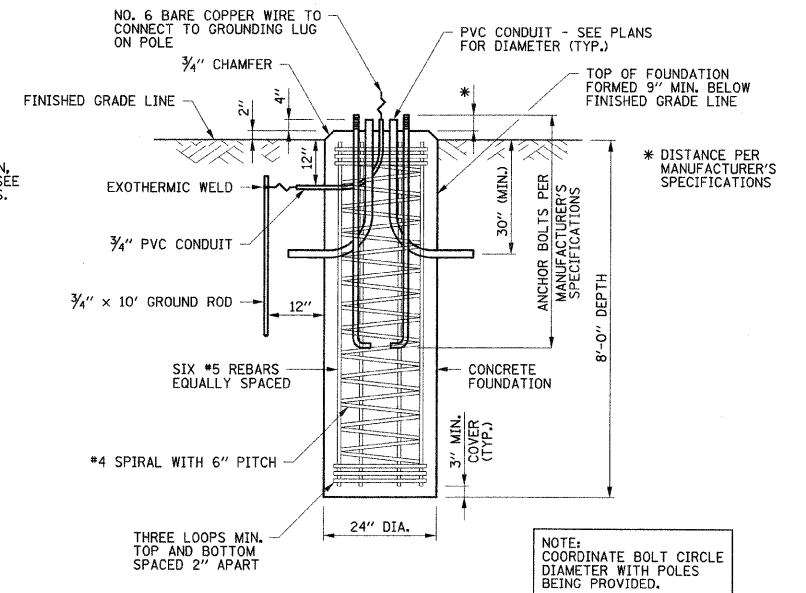
**POLE/LUMINAIRE INSTALLATION DETAIL (CHAMPAIGN)**  
NO SCALE



**POLE/LUMINAIRE INSTALLATION DETAIL (SAVOY)**  
NO SCALE



**POLE/FOUNDATION DETAIL**  
NO SCALE



**LIGHT POLE CONCRETE FOUNDATION DETAIL**  
NO SCALE

**ELECTRICAL KEYNOTES (CHAMPAIGN DETAILS ON THIS SHEET)**

- A STEEL FOUNDATION - 8' LONG, 8 5/8" DIAMETER WITH THREADED HOLES FOR 1" BOLTS OR STUDS. A.B. CHANCE SA112-0567 OR APPROVED EQUAL. COORDINATE BOLT CIRCLE DIAMETER WITH POLES BEING PROVIDED.
- B CDR 12"W x 12"L x 12"D (UNLESS OTHERWISE INDICATED IN THE PLANS) FLARED WALL BOX WITH HEAVY DUTY COVER CAT.\* PA22-1212-12-0062 OR APPROVED EQUAL.
- C 1 1/4" SCHEDULE 40 PVC FROM JUNCTION BOX TO 6" ABOVE BASE WITH 2 #10, 1 #10 GND. TO LUMINAIRE. PROVIDE A TWO POLE FUSEHOLDER WITH FUSES PER IDOT STANDARD SPECIFICATION 1065.01. PROVIDE A SURGE PROTECTOR AT THE LOAD SIDE OF THE FUSE HOLDER PER IDOT STANDARD SPECIFICATION 1065.02.
- D VALMONT ROUND TAPERED 4-BOLT ANCHOR BASE ALUMINUM POLE WITH CLAMP-ON TRUSS ARM, 40" MOUNTING HEIGHT, 10" BASE DIAMETER, 6" TOP DIAMETER, 0.250" WALL THICKNESS, 14-1/4" DIA. TO 15" DIA. BOLT CIRCLE, SINGLE TRUSS ARM WITH 8' SPAN AND 34" RISE. VALMONT NOS. 3708-60108T4A AND 1TA-0834C60ZA, BLACK, OR APPROVED EQUAL.
- E 250 WATT, HIGH PRESSURE SODIUM LUMINAIRE, FULL CUT-OFF, M-C-III DISTRIBUTION. GE CATALOG NO. MDCA-25-S-0-M-1-2-F-MC3-1-549, BLACK, OR APPROVED EQUAL. LAMP PER IDOT STANDARD SPECIFICATION 1067.02.
- F CONDUIT TO ADJACENT HANDHOLE OR 12" STUB FOR FUTURE EXTENSION OF LIGHTING CIRCUIT.

**ELECTRICAL KEYNOTES (SAVOY DETAILS ON THIS SHEET)**

- A STEEL FOUNDATION - 8' LONG, 8 5/8" DIAMETER WITH THREADED HOLES FOR 1" BOLTS OR STUDS. A.B. CHANCE SA112-0567 OR APPROVED EQUAL. COORDINATE BOLT CIRCLE DIAMETER WITH POLES BEING PROVIDED.
- B CONDUIT TO ADJACENT FOUNDATION OR 12" STUB FOR FUTURE EXTENSION OF LIGHTING CIRCUIT.
- C VALMONT ROUND TAPERED 4-BOLT ANCHOR BASE ALUMINUM POLE WITH CLAMP-ON MAST ARM, 35' MOUNTING HEIGHT, 10" BASE DIAMETER, 6" TOP DIAMETER, 0.250" WALL THICKNESS, 14-1/4" DIA. TO 15" DIA. BOLT CIRCLE, SINGLE MAST ARM WITH 8' SPAN AND 32" RISE. VALMONT NOS. 3408-60108T4-DNA AND MA-0832S-DNA, OR APPROVED EQUAL.
- D 250 WATT, HIGH PRESSURE SODIUM LUMINAIRE, FULL CUT-OFF, M-C-III DISTRIBUTION. AEL CATALOG NO. 30-25S-RH-240-R3-FG, OR APPROVED EQUAL. LAMP PER IDOT STANDARD SPECIFICATION 1067.02.

**NOTE**  
THE CONTRACTOR SHALL USE CARE IN CONSTRUCTING THE CONCRETE FOUNDATIONS FOR THE STREET LIGHTS THAT ARE NEAR TRENCH EXCAVATIONS FOR BOX CULVERTS OR STORM SEWERS, THE TRENCH BACKFILL, SPECIAL MATERIAL OR CONTROLLED LOW-STRENGTH MATERIAL SHALL BE BLOCKED OUT AT THE CONCRETE FOUNDATION LOCATIONS TO ALLOW FOR THEIR LATER CONSTRUCTION.

ILLINOIS DEPARTMENT OF TRANSPORTATION

**ROADWAY LIGHTING DETAILS**

DATE : 10-08  
DRAWN BY : JAJ  
CHECKED BY : JJF