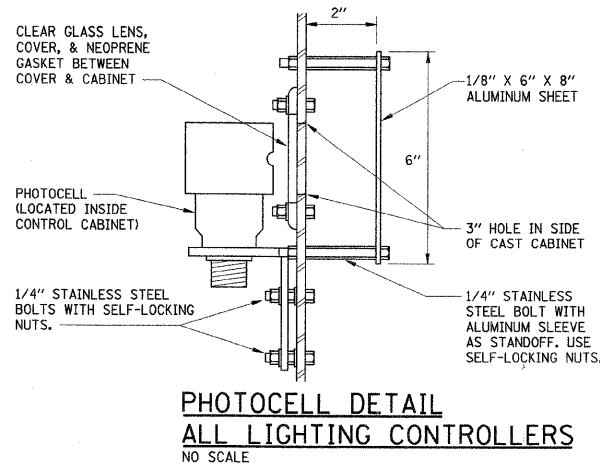
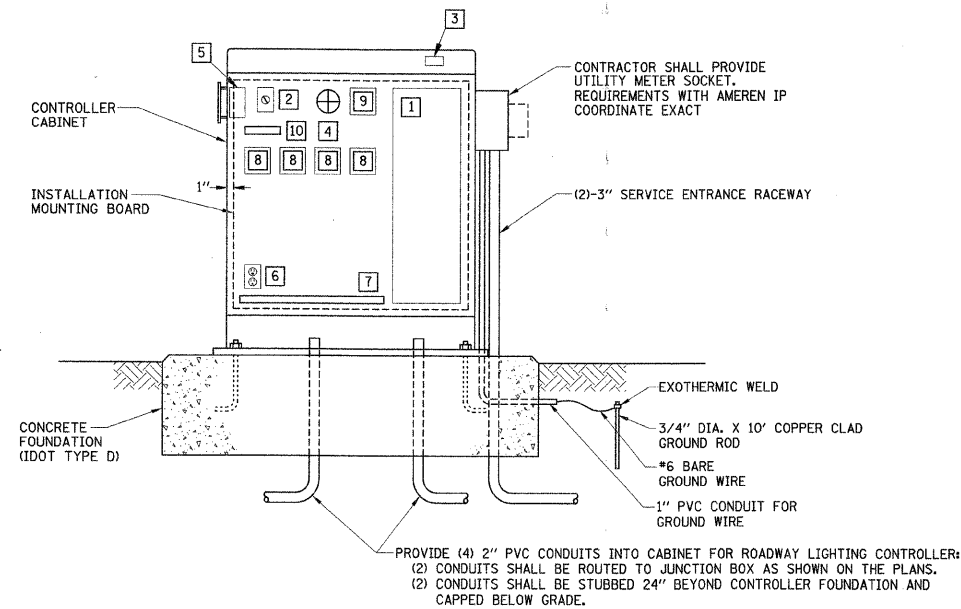


CONTROL CABINET, FOUNDATION AND DIAGRAMMATIC ASSEMBLY DETAIL LIGHTING CONTROLLER #75
NO SCALE

QTY	ITEM	DESCRIPTION
1	1	100A, 120/240V, 1Ø, 3Ø CIRCUIT PANELBOARD (INTERIOR ONLY, NO PANEL TUB), QUANTITY OF BREAKERS AS SHOWN IN PANELBOARD SCHEDULE
1	2	HAND-OFF-AUTO SELECTOR SWITCH WITH LEGEND PLATE.
1	3	120 VAC, 20A, 1P PLUNGERTYPE SWITCH FOR CONTROLLER LIGHT, DOOR ACTIVATED
1	4	INCANDESCENT LIGHT FIXTURE WITH CLEAR GLOBE AND PROTECTIVE GUARD. PROVIDE 60WATT, 130VAC LAMP.
1	5	PHOTOCELL SWITCH WITH LOCKING TYPE RECEPTACLE AND INTEGRAL SURGE ARRESTORS. PHOTOCELL SHALL BE CABINET MOUNTED AND SHIELDED FROM SURROUNDING LIGHT SOURCES, WITH TIME DELAY RELAY TO PREVENT NUISANCE SWITCHING. (SEE PHOTOCELL DETAIL).
1	6	DUPLEX RECEPTACLE, 120VAC, 20A, GFCI TYPE.
1	7	TERMINAL STRIPS, QUANTITY AS REQUIRED FOR INCOMING WIRING PLUS 100% SPARE TERMINALS. PROVIDE SEPARATE TERMINAL STRIPS FOR POWER, NEUTRAL AND GROUND WIRING AS REQUIRED.
5	8	LIGHTING CONTACTOR, 30A, 240VAC, 2 POLE, 120VAC ELECTRICALLY HELD COIL. PROVIDE SPACE FOR ADDITIONAL CONTACTORS.
1	9	SURGE ARRESTOR
1	10	CONTROL WIRING TERMINAL BLOCK

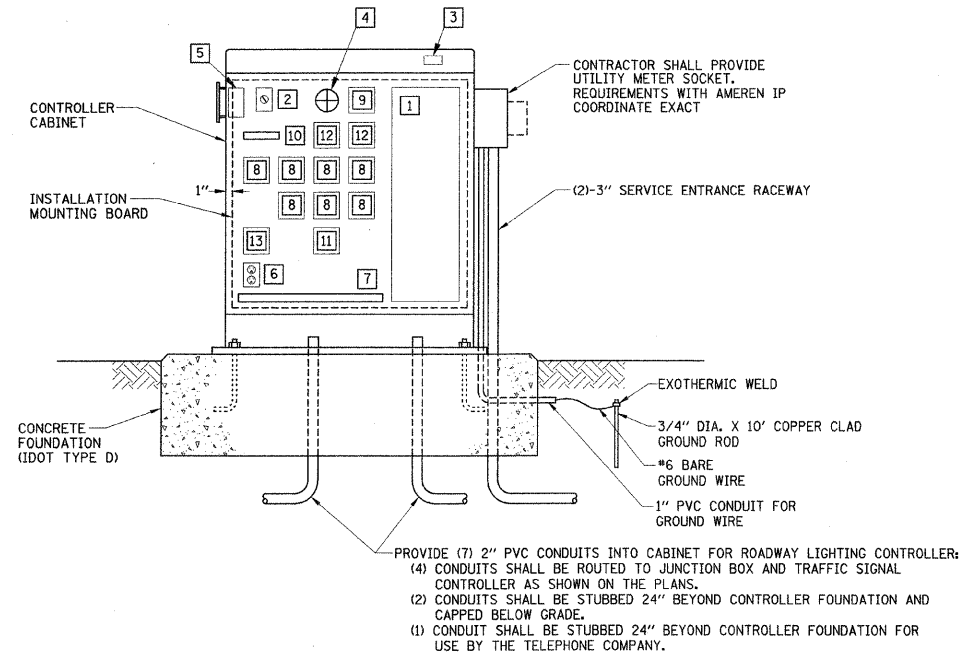


PHOTOCELL DETAIL ALL LIGHTING CONTROLLERS
NO SCALE



CONTROL CABINET, FOUNDATION AND DIAGRAMMATIC ASSEMBLY DETAIL LIGHTING CONTROLLER #02
NO SCALE

QTY	ITEM	DESCRIPTION
1	1	100A, 120/240V, 1Ø, 3Ø CIRCUIT PANELBOARD (INTERIOR ONLY, NO PANEL TUB), QUANTITY OF BREAKERS AS SHOWN IN PANELBOARD SCHEDULE
1	2	HAND-OFF-AUTO SELECTOR SWITCH WITH LEGEND PLATE.
1	3	120 VAC, 20A, 1P PLUNGERTYPE SWITCH FOR CONTROLLER LIGHT, DOOR ACTIVATED
1	4	INCANDESCENT LIGHT FIXTURE WITH CLEAR GLOBE AND PROTECTIVE GUARD. PROVIDE 60WATT, 130VAC LAMP.
1	5	PHOTOCELL SWITCH WITH LOCKING TYPE RECEPTACLE AND INTEGRAL SURGE ARRESTORS. PHOTOCELL SHALL BE CABINET MOUNTED AND SHIELDED FROM SURROUNDING LIGHT SOURCES, WITH TIME DELAY RELAY TO PREVENT NUISANCE SWITCHING. (SEE PHOTOCELL DETAIL).
1	6	DUPLEX RECEPTACLE, 120VAC, 20A, GFCI TYPE.
1	7	TERMINAL STRIPS, QUANTITY AS REQUIRED FOR INCOMING WIRING PLUS 100% SPARE TERMINALS. PROVIDE SEPARATE TERMINAL STRIPS FOR POWER, NEUTRAL AND GROUND WIRING AS REQUIRED.
4	8	LIGHTING CONTACTOR, 30A, 240VAC, 2 POLE, 120VAC ELECTRICALLY HELD COIL. PROVIDE SPACE FOR ADDITIONAL CONTACTORS.
1	9	SURGE ARRESTOR
1	10	CONTROL WIRING TERMINAL BLOCK



CONTROL CABINET, FOUNDATION AND DIAGRAMMATIC ASSEMBLY DETAIL LIGHTING CONTROLLER #01
NO SCALE

QTY	ITEM	DESCRIPTION
1	1	100A, 120/240V, 1Ø, 3Ø CIRCUIT PANELBOARD (INTERIOR ONLY, NO PANEL TUB), QUANTITY OF BREAKERS AS SHOWN IN PANELBOARD SCHEDULE
1	2	HAND-OFF-AUTO SELECTOR SWITCH WITH LEGEND PLATE.
1	3	120 VAC, 20A, 1P PLUNGERTYPE SWITCH FOR CONTROLLER LIGHT, DOOR ACTIVATED
1	4	INCANDESCENT LIGHT FIXTURE WITH CLEAR GLOBE AND PROTECTIVE GUARD. PROVIDE 60WATT, 130VAC LAMP.
1	5	PHOTOCELL SWITCH WITH LOCKING TYPE RECEPTACLE AND INTEGRAL SURGE ARRESTORS. PHOTOCELL SHALL BE CABINET MOUNTED AND SHIELDED FROM SURROUNDING LIGHT SOURCES, WITH TIME DELAY RELAY TO PREVENT NUISANCE SWITCHING. (SEE PHOTOCELL DETAIL).
1	6	DUPLEX RECEPTACLE, 120VAC, 20A, GFCI TYPE.
1	7	TERMINAL STRIPS, QUANTITY AS REQUIRED FOR INCOMING WIRING PLUS 100% SPARE TERMINALS. PROVIDE SEPARATE TERMINAL STRIPS FOR POWER, NEUTRAL AND GROUND WIRING AS REQUIRED.
7	8	LIGHTING CONTACTOR, 30A, 240VAC, 2 POLE, 120VAC ELECTRICALLY HELD COIL. PROVIDE SPACE FOR ADDITIONAL CONTACTORS.
1	9	SURGE ARRESTOR
1	10	CONTROL WIRING TERMINAL BLOCK
1	11	AUTO DIALER WITH BATTERY BACKUP TO CALL OUT AS REQUIRED UPON LOSS OF POWER.
2	12	PHASE DETECTION RELAY. ONE RELAY SHALL MONITOR MAIN INCOMING POWER, AND THE OTHER SHALL MONITOR THE POWER TO THE TRAFFIC SIGNAL CONTROLLER ON THE LOAD SIDE OF THE BREAKER FEEDING THE TRAFFIC SIGNAL CONTROLLER.
1	13	SPACE FOR MOUNTING TELEPHONE COMPANY'S INTERFACE BOX

ILLINOIS DEPARTMENT OF TRANSPORTATION

ROADWAY LIGHTING DETAILS

DATE : 10-08
DRAWN BY : JAJ
CHECKED BY : JUF

SCALE : NONE
SHEET 148 OF 242 SHEETS C01401