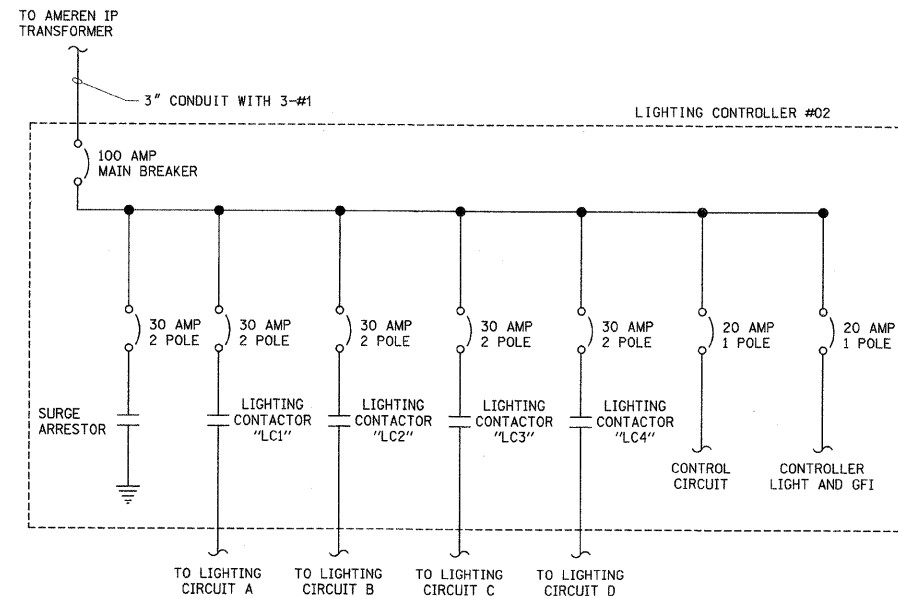
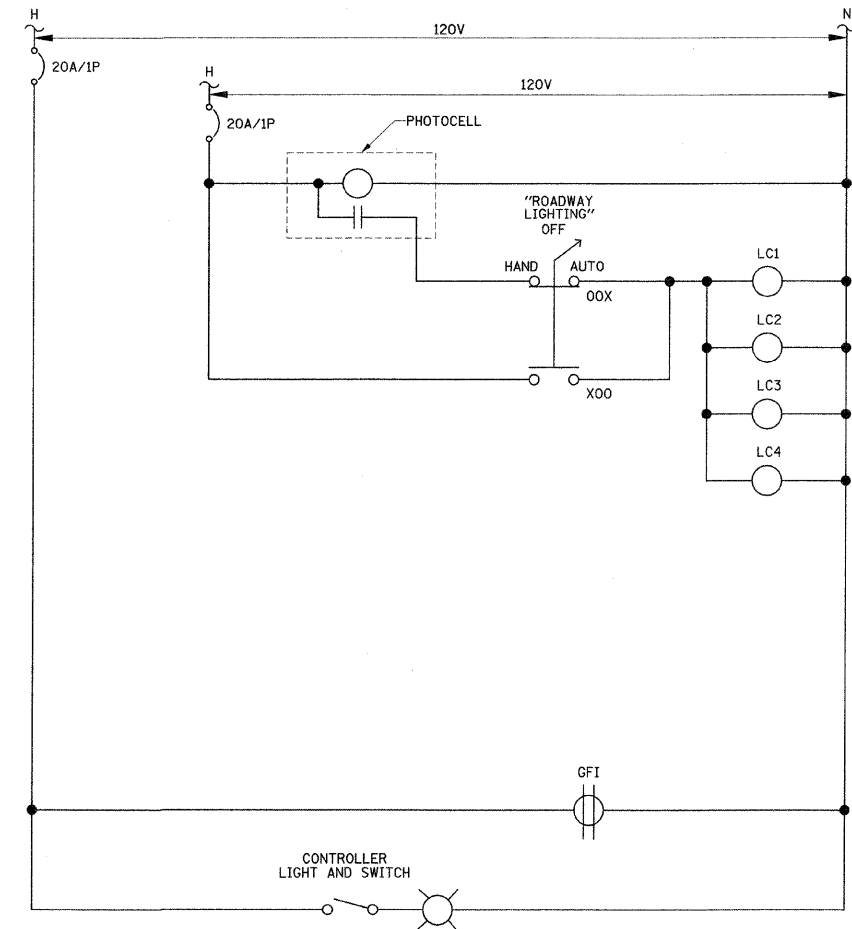


LIGHTING CONTROLLER #02 PANELBOARD SCHEDULE											
PANELBOARD	LIGHTING		MAINS		100 AMPS		LOCATION: CURTIS ROAD STATION 109+60				
VOLTAGE	120/240		BUS RATING		100 AMPS						
PHASE/WIRE	1PH/3W		MOUNTING		INTERIOR ONLY						
DESCRIPTION	CKT. NO.	LOAD (VA)		AMPS/POLES	CKT. BKR.	CKT. BKR.	AMPS/POLES	LOAD (VA)		CKT. NO.	DESCRIPTION
		A	B					A	B		
SURGE ARRESTOR	1	0		30/2			30/2	1050		2	STREET LIGHTING CIRCUIT B
	3		0						1050	4	
STREET LIGHTING CIRCUIT A	5	900		30/2			30/2	900		6	STREET LIGHTING CIRCUIT D
	7		900						900	8	
STREET LIGHTING CIRCUIT C	9	1050		30/2			20/1	280		10	CONTROLLER LIGHT & GFI
	11		1050				20/1		500	12	
SPACE	13	0						0		14	SPACE
SPACE	15		0					0		16	SPACE
SPACE	17	0						0		18	SPACE
SPACE	19		0					0		20	SPACE
SPACE	21	0						0		22	SPACE
SPACE	23		0					0		24	SPACE
SPACE	25	0						0		26	SPACE
SPACE	27		0					0		28	SPACE
SPACE	29	0						0		30	SPACE
SUBTOTAL "A"		1950						2230			
SUBTOTAL "B"		1950						2450			
TOTAL VOLT-AMPERES A & B: 8580 VA											



LIGHTING CONTROLLER #02 ELECTRICAL ONE-LINE DIAGRAM
NO SCALE



NOTE:
GROUND WIRE NOT SHOWN FOR CLARITY. CONTRACTOR SHALL GROUND ALL EQUIPMENT IN THE LIGHTING CONTROL CABINET AS REQUIRED BY THE 2005 NATIONAL ELECTRICAL CODE.

LIGHTING CONTROLLER #02 CONTROL DIAGRAM
NO SCALE