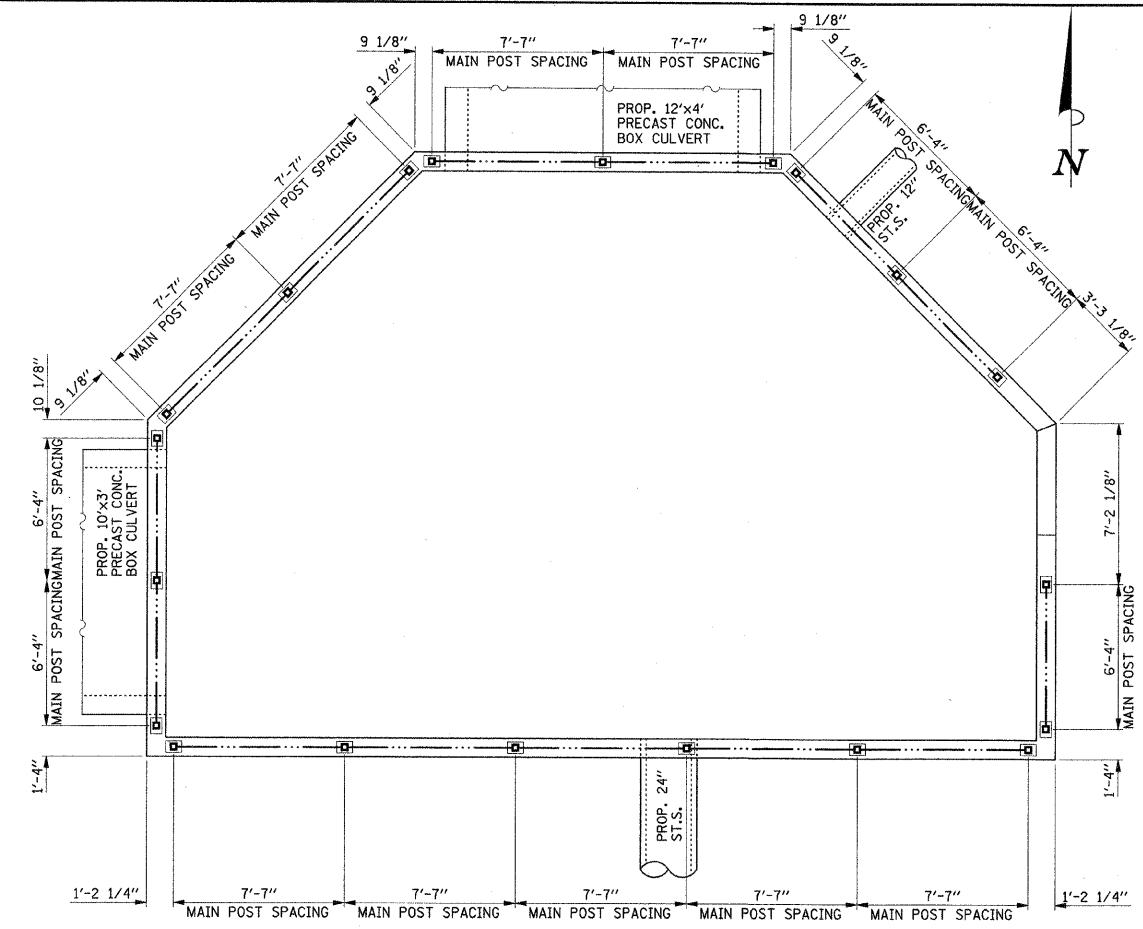
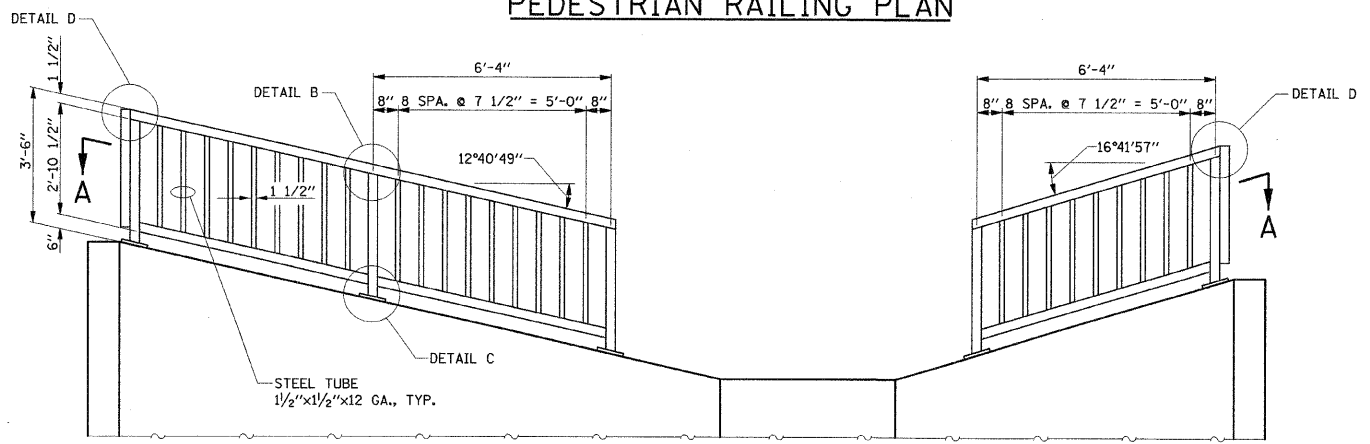


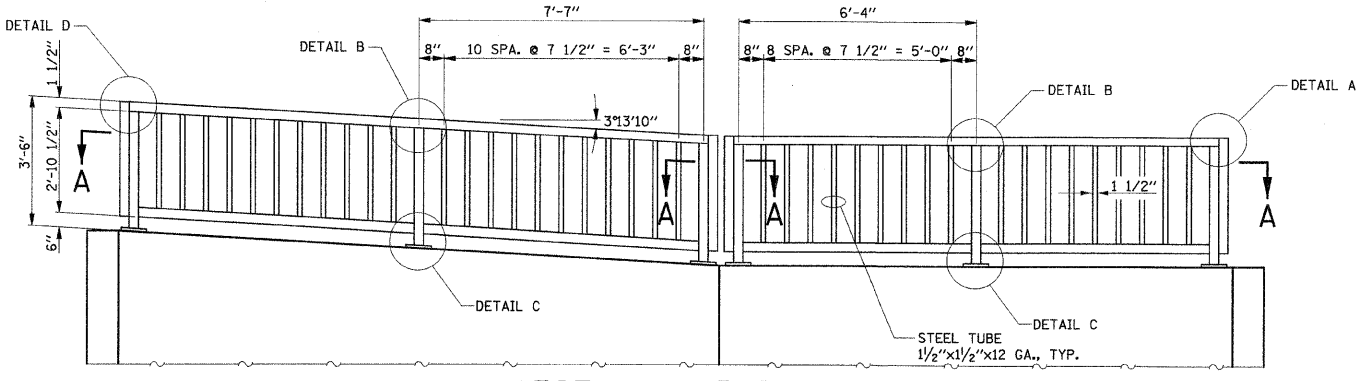
F.A.P. RTE.	SECTION	COUNTY	TOTAL SHEETS	SHEET NO.
807	00-00374-01-PV	CHAMPAIGN	242	154
STA.		TO STA.		
		ILLINOIS F.A. PROJ. NO. RS-HPP-1805/00D		
CONTRACT NO. 91368				



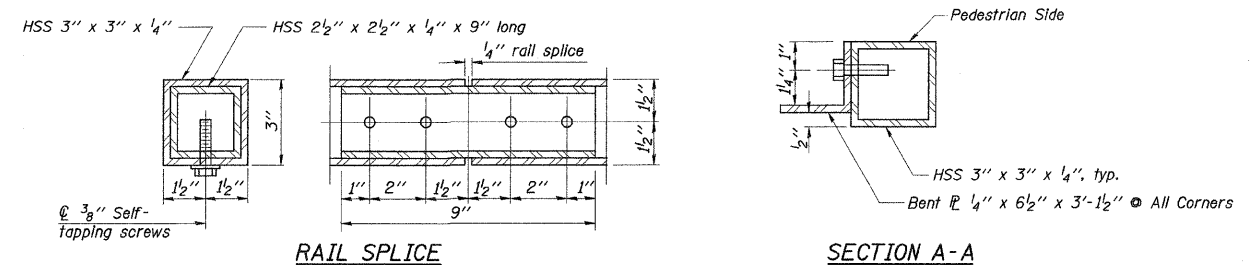
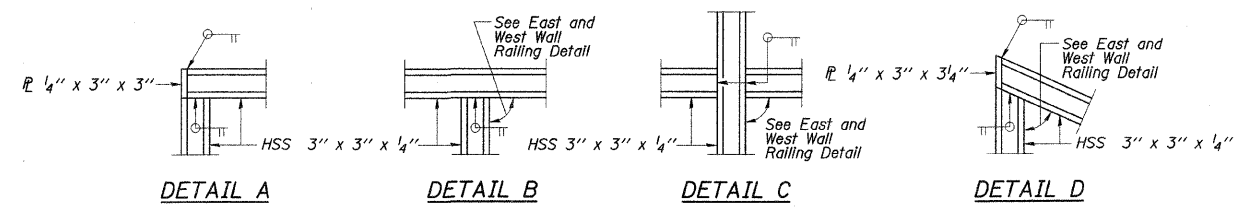
PEDESTRIAN RAILING PLAN



EAST WALL RAILING (LOOKING EAST)



WEST WALL RAILING (LOOKING EAST)



NOTES

Railing shall be according to Section 509 of the Standard Specifications, except as noted, and will be paid for at the Contract Unit Price per Foot for Pedestrian Railing.

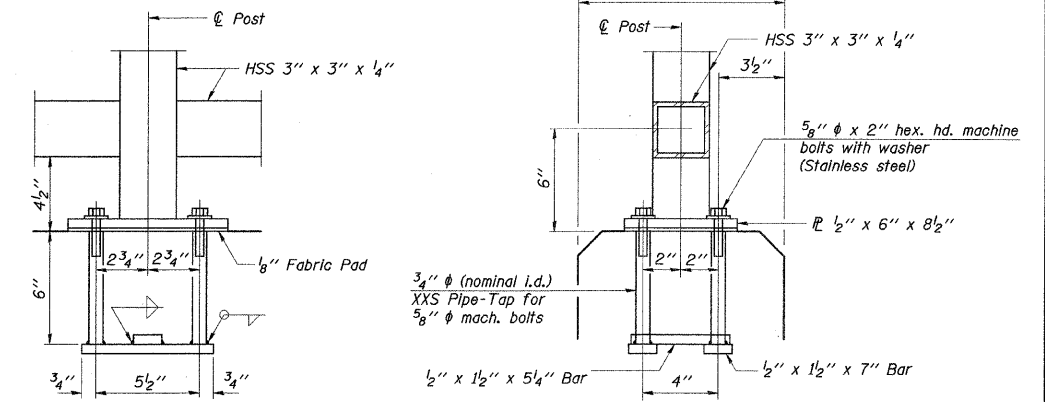
Hollow structural sections shall conform to the requirements of ASTM designation A 500, Grade B, structural steel tubing.

All other steel shapes and plates shall conform to the requirements of AASHTO M 270 Grade 36.

If the option of drilling and epoxy grouting the anchor rods is chosen, the Contractor shall use the capsule or the adhesive cartridge type anchor rods that have been previously tested and given a prior approval by the Department. The Contractor shall install these anchor rods in pre-drilled holes according to the manufacturer's recommendations and procedures. The capsule or the adhesive cartridge shall be sealed with pre-measured amounts of the adhesive chemical.

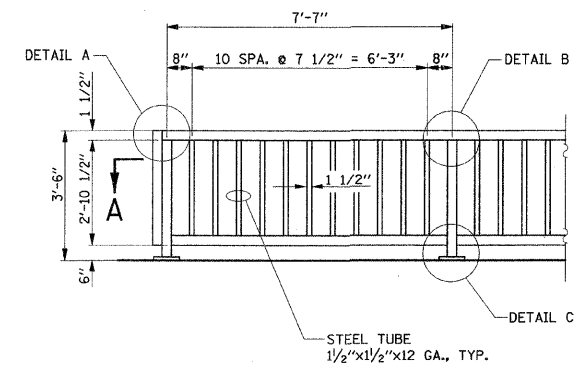
Space reinforcement to miss anchor rods.

All posts, railing, splices, anchor devices, and bent plates shall be galvanized and painted. See Special Provisions.

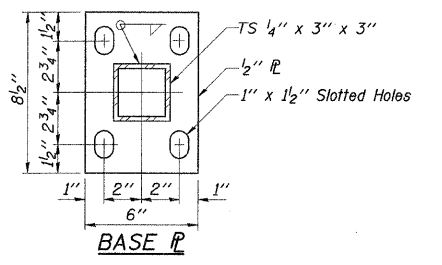


ANCHOR BOLT DETAILS

In lieu of the cast-in-place anchor device shown, the Contractor has the option of drilling and epoxy grouting $\frac{5}{8}$ " anchor rods. Embedment shall be according to the manufacturer's specifications.



TYPICAL NORTH AND SOUTH WALL RAILING



ILLINOIS DEPARTMENT OF TRANSPORTATION
DROP BOX HANDRAIL DETAIL
 STA. 97+90, RT.

DATE : 10-08
 DRAWN BY : J.L.B.
 CHECKED BY : S.M.M.