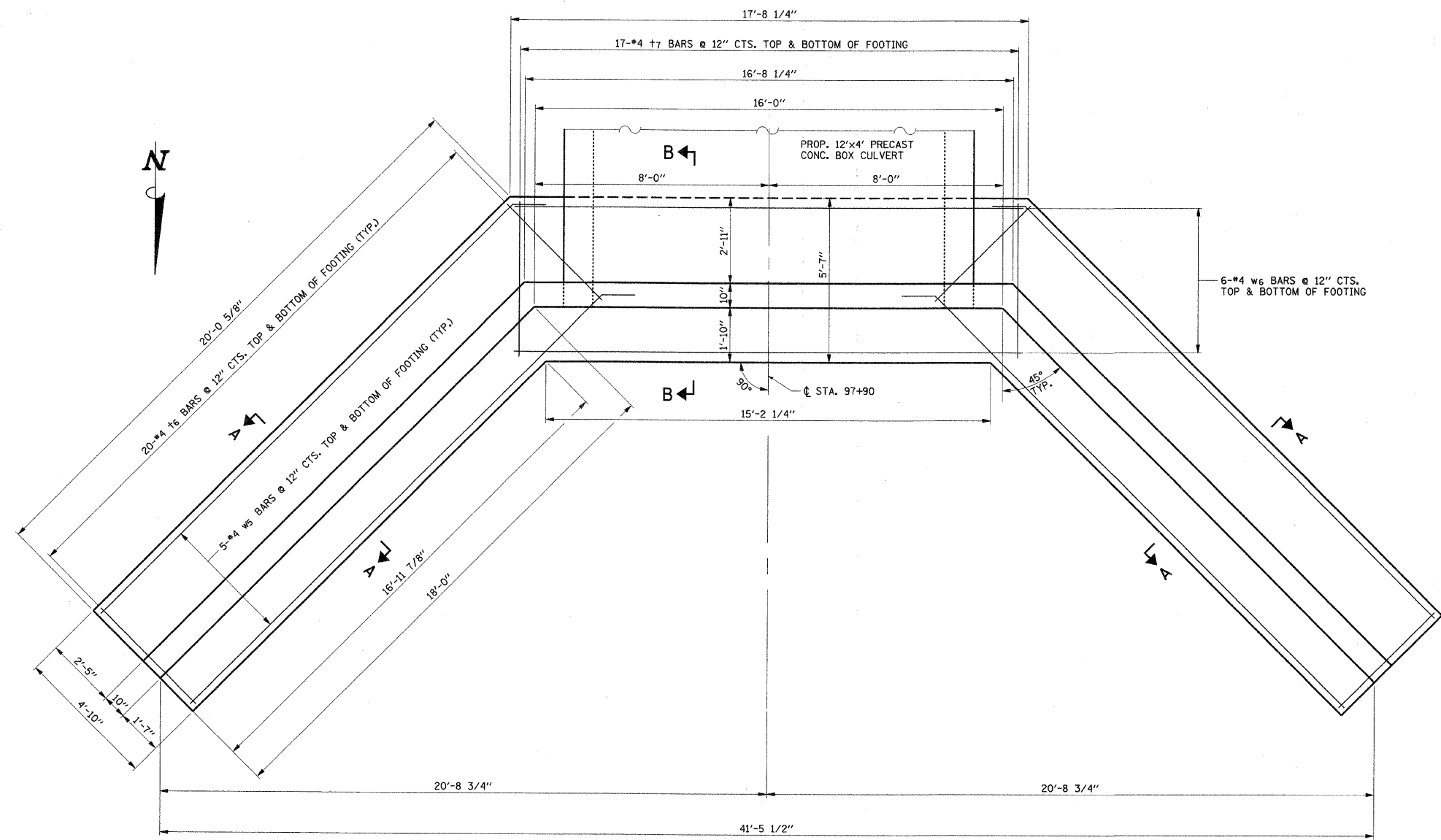
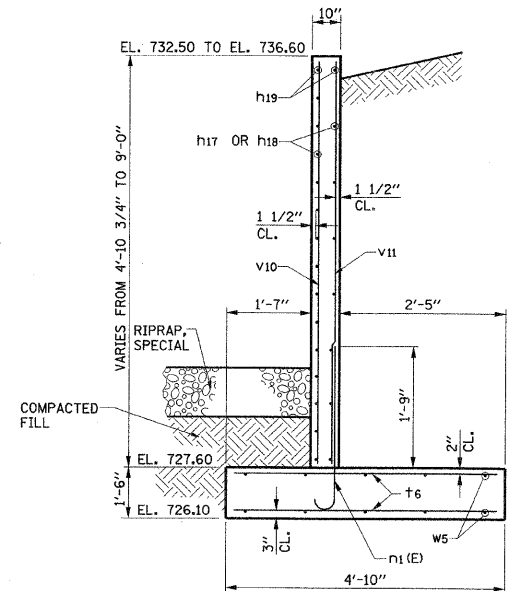


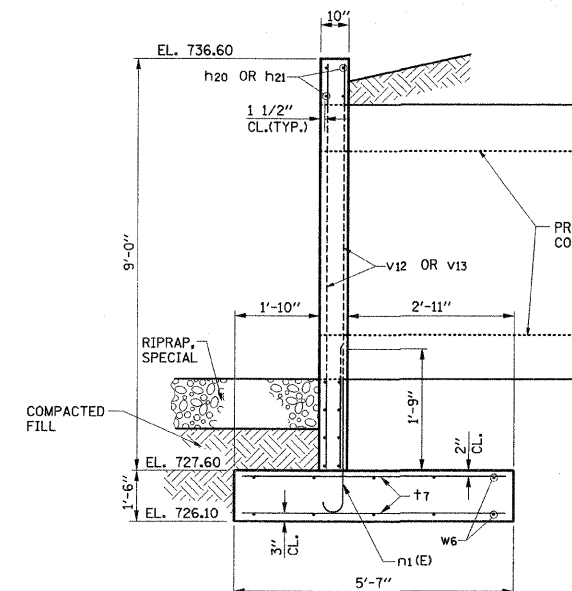
F.A.P. RTE.	SECTION	COUNTY	TOTAL SHEETS	SHEET NO.
807	00-00374-01-PV	CHAMPAIGN	242	155
STA.		TO STA.		
		ILLINOIS F.A. PROJ. NO. RS-HPP-1805(001)		
CONTRACT NO. 91368				



PLAN



SECTION A-A  
NO SCALE



SECTION B-B  
NO SCALE

*Sean M. Marano*  
 Structural Engineer  
 Clark Dietz, Inc.  
 DATE: 10/2/08  
 License Expires 11-30-2010



ILLINOIS DEPARTMENT OF TRANSPORTATION  
**HEADWALL DETAIL**  
**STA. 97+90, LT.**  
 DATE: 10-08  
 DRAWN BY: J.L.B.  
 CHECKED BY: S.M.M.  
 SCALE: 3/8" = 1'-0"