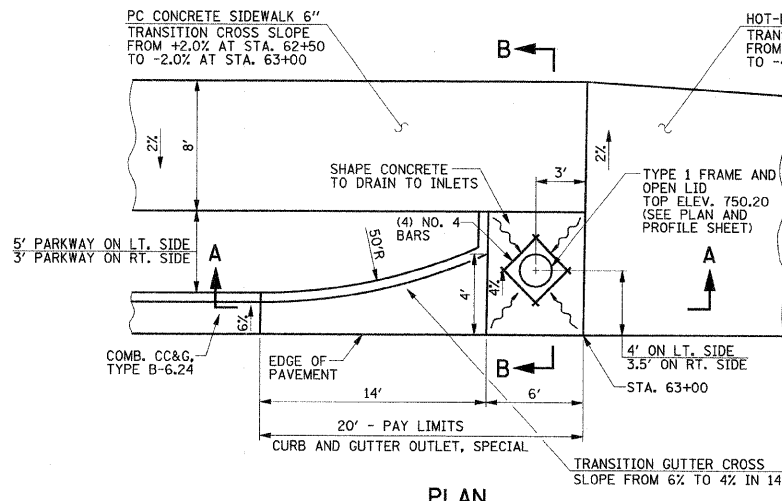
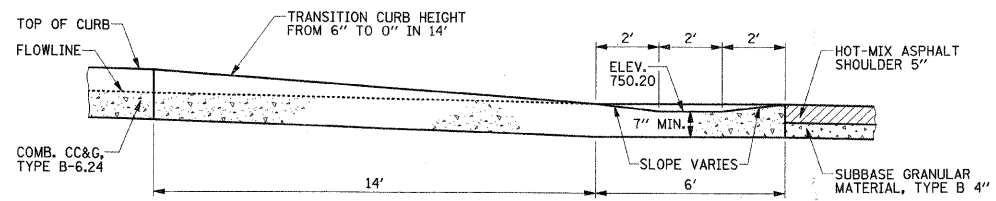


F.A.P. RTE.	SECTION	COUNTY	TOTAL SHEETS	SHEET NO.
807	00-00374-01-PV	CHAMPAIGN	242	160
STA.	TO STA.			
	ILLINOIS	F.A. PROJ. NO.	RS-HPP-1805/00D	
CONTRACT NO. 91368				

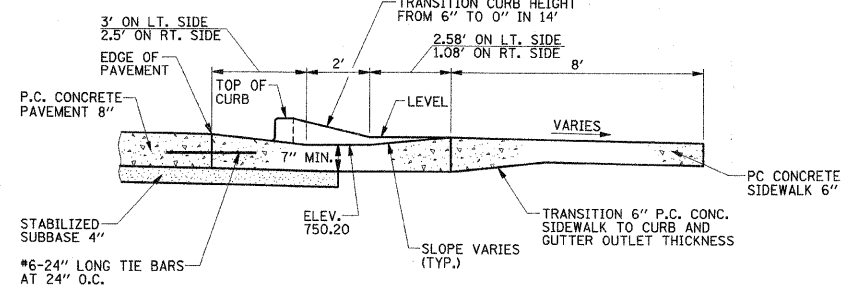


- NOTES:**
1. THE CONCRETE CURB AND GUTTER OUTLET, SPECIAL SHALL BE CONSTRUCTED IN ACCORDANCE WITH THE APPLICABLE ARTICLES OF SECTION 606 OF THE STANDARD SPECIFICATIONS.
 2. CONSTRUCTION OF THE CURB AND GUTTER OUTLET WILL BE PAID FOR AT THE CONTRACT UNIT PRICE EACH FOR CURB AND GUTTER OUTLET, SPECIAL.
 3. THE COST OF CONSTRUCTING THE VARIABLE WIDTHS, THICKNESS AND CURB HEIGHT OF THE CURB AND GUTTER OUTLET INCLUDING REINFORCING BARS SHALL BE INCLUDED IN THE CONTRACT UNIT PRICE FOR THE CURB AND GUTTER OUTLET, SPECIAL AND NO ADDITIONAL COMPENSATION WILL BE ALLOWED.

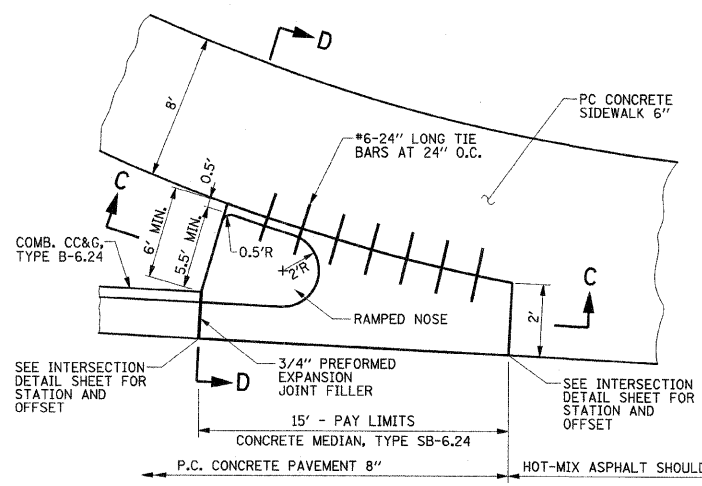
CURB AND GUTTER OUTLET, SPECIAL DETAIL



SECTION A-A

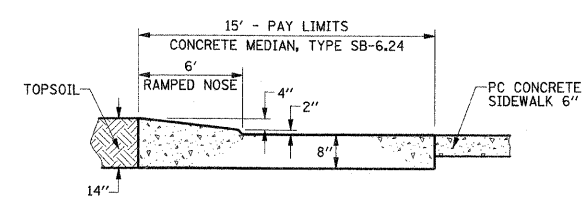


SECTION B-B

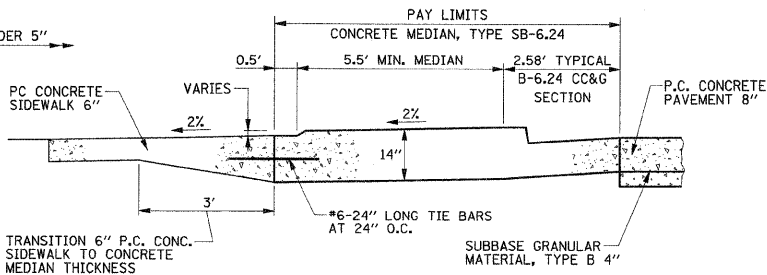


- NOTES:**
1. THE RAMPED CONCRETE MEDIAN NOSE SHALL BE CONSTRUCTED IN ACCORDANCE WITH STD. 606301.
 2. THE COST OF FURNISHING AND INSTALLING THE 3/4" EXPANSION JOINTS, #6-24" LONG TIE BARS AND RAMPED NOSE SHALL BE INCLUDED IN THE COST OF CONSTRUCTING CONCRETE MEDIAN, TYPE SB-6.24 AND NO ADDITIONAL COMPENSATION WILL BE ALLOWED.
 3. THE COST OF CONSTRUCTING THE P.C.C. SIDEWALK THICKNESS TRANSITION AS SHOWN, SHALL BE INCLUDED IN THE COST OF CONSTRUCTING P.C. CONCRETE SIDEWALK 6" AND NO ADDITIONAL COMPENSATION WILL BE ALLOWED.

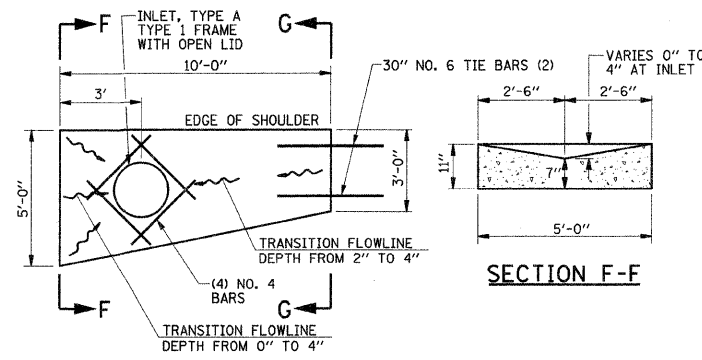
CONCRETE MEDIAN, TYPE SB-6.24 DETAIL



SECTION C-C



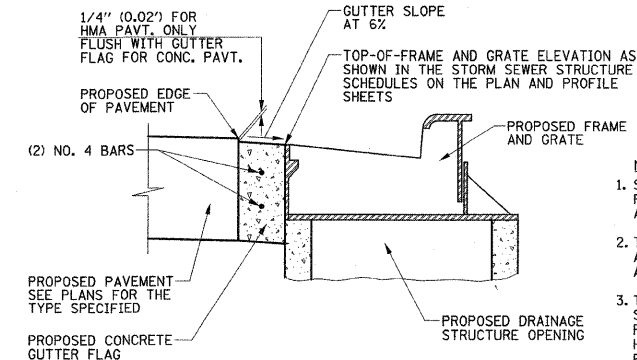
SECTION D-D



DETAIL OF GUTTER OUTLET

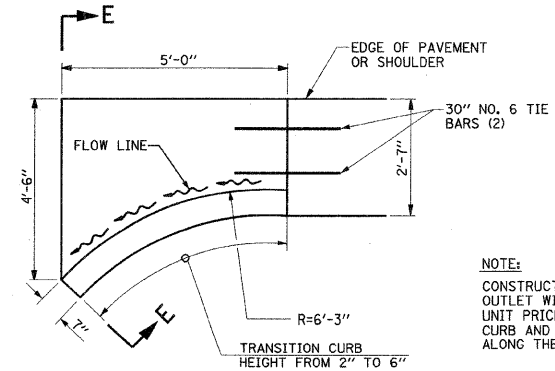
- NOTES:**
1. THE CONCRETE GUTTER AND OUTLET SHALL BE CONSTRUCTED IN ACCORDANCE WITH THE APPLICABLE ARTICLES OF SECTION 606 OF THE STANDARD SPECIFICATIONS.
 2. SAWED CONTRACTION JOINTS 2" DEEP SHALL BE PLACED AT 15 FOOT CENTERS IN THE CONCRETE GUTTER AND THE JOINTS SHALL BE SEALED IN ACCORDANCE WITH ARTICLES 420.02 AND 606.02 OF THE STANDARD SPECIFICATIONS.
 3. CONSTRUCTION OF THE CONCRETE GUTTER AND OUTLET WILL BE PAID FOR AT THE CONTRACT UNIT PRICE PER FOOT, MEASURED ALONG THE GUTTER FLOWLINE, FOR CONCRETE GUTTER, TYPE A (MODIFIED). THE PRICE SHALL INCLUDE THE COST OF THE REINFORCEMENT BARS AND TIE BARS.

CONCRETE GUTTER, TYPE A (MODIFIED) DETAILS



- NOTES:**
1. SEE THE STORM SEWER STRUCTURE SCHEDULES ON THE PLAN AND PROFILE SHEETS FOR THE TYPE, LOCATION, AND ELEVATION OF THE FRAMES AND GRATES.
 2. THIS DETAIL SHALL BE APPLICABLE FOR PROPOSED FRAMES AND GRATES PLACED WITHIN COMBINATION CONCRETE CURB AND GUTTER, TYPE B-6.24.
 3. THE TOP-OF-FRAME ELEVATIONS SHOWN IN THE STORM SEWER STRUCTURE SCHEDULES ARE 0.03' LOWER FOR P.C. CONCRETE PAVEMENTS AND 0.05' LOWER FOR HOT-MIX ASPHALT PAVEMENTS THAN THE ADJACENT PROPOSED EDGE OF PAVEMENT ELEVATION.

DRAINAGE STRUCTURE FRAME AND GRATE DETAIL



SECTION E-E

- NOTE:**
- CONSTRUCTION OF THE CURB AND GUTTER OUTLET WILL BE PAID FOR AT THE CONTRACT UNIT PRICE PER FOOT FOR COMBINATION CONC. CURB AND GUTTER, TYPE B-6.24 MEASURED ALONG THE GUTTER FLOWLINE.

CURB & GUTTER OUTLET DETAIL

ILLINOIS DEPARTMENT OF TRANSPORTATION
CONCRETE MEDIAN AND GUTTER DETAILS
 DATE: 10-08
 DRAWN BY: J.L.B.
 CHECKED BY: R.L.H.
 SCALE: NONE