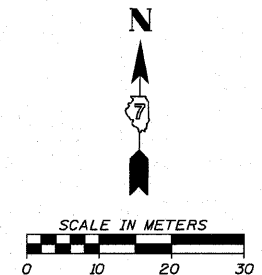
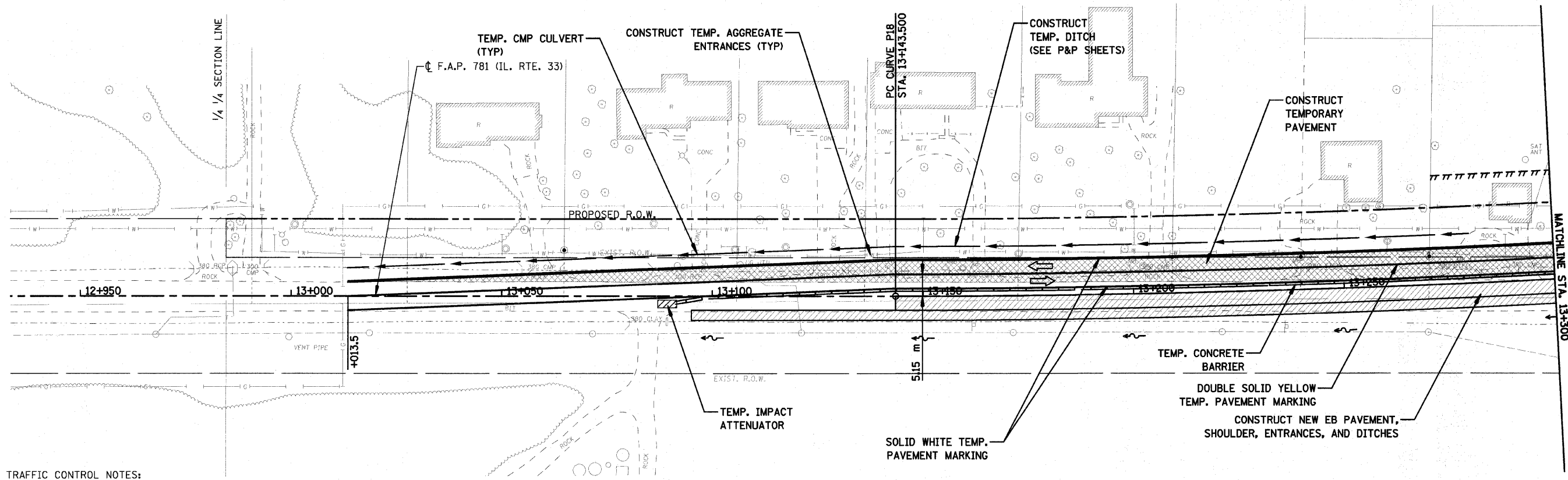
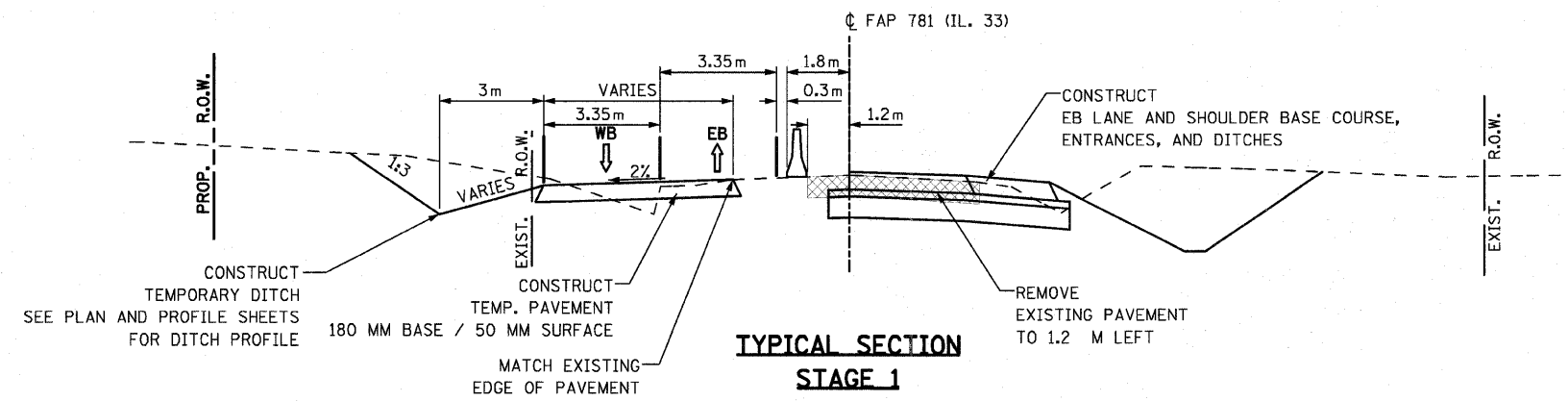


F.A.P. RTE.	SECTION	COUNTY	TOTAL SHEETS	SHEET NO.
781	1YRS, 2ZRS-1	CRAWFORD	378	112
STA. TO STA.				
FED. ROAD DIST. NO.		ILLINOIS	FED. AID PROJECT	



LEGEND

- CONSTRUCTION THIS STAGE
- TEMPORARY PAVEMENT

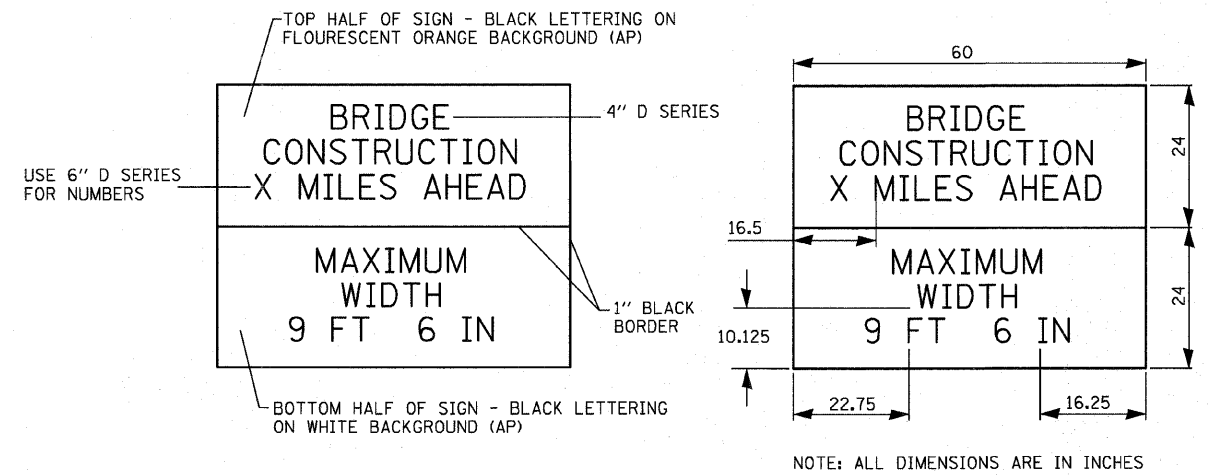


TRAFFIC CONTROL NOTES:

THE CONTRACTOR SHALL UTILIZE TRAFFIC CONTROL STANDARD 701331 DURING EXECUTION OF THIS WORK. TEMPORARY CONCRETE BARRIER AND IMPACT ATTENUATORS SHALL BE PAID FOR AT THE CONTRACT UNIT PRICE FOR SAID ITEMS, ALL OTHER STRIPING, SIGNAGE, ETC. REQUIRED BY THE STANDARD SHALL BE INCLUDED IN THE CONTRACT UNIT PRICE PER EACH FOR TRAFFIC CONTROL AND PROTECTION, STANDARD 701331 (SPECIAL). ALL THREE STAGES OF CONSTRUCTION SHALL CONSTITUTE ONE (1) OCCURRENCE OF THE STANDARD. NO ADDITIONAL COMPENSATION, OTHER THAN RELOCATION OF CONCRETE BARRIER AND IMPACT ATTENUATORS WILL BE ALLOWED FOR ANY CHANGES OR ADJUSTMENTS TO THE TRAFFIC CONTROL DURING THE CONVERSION FROM ONE STAGE TO THE NEXT. LIGHTS ON BARRELS OR BARRICADES SHALL BE BIDIRECTIONAL AND STEADY BURN, EXCEPT, LIGHTS IN THE TAPERS SHALL BE MONODIRECTIONAL.

THE CONTRACTOR SHALL SUPPLY, SET, AND MAINTAIN TWO (2) WIDTH RESTRICTION WARNING SIGNS, AS SHOWN IN THE DETAIL, PRIOR TO COMMENCING WORK UNLESS THEY ARE ALREADY IN PLACE DUE TO CULVERT CONSTRUCTION. THE SIGNS SHALL BE PLACED AT THE INTERSECTIONS OF IL 33 AND IL 49 AND IL 33 AND IL 1, OR OTHER LOCATION, AS DIRECTED BY THE ENGINEER. ALL LABOR AND MATERIALS REQUIRED TO SUPPLY, SET, AND MAINTAIN THESE SIGNS WILL NOT BE PAID FOR SEPARATELY, BUT SHALL BE INCLUDED IN THE CONTRACT UNIT PRICE PER EACH FOR TRAFFIC CONTROL AND PROTECTION, STANDARD 701331 (SPECIAL).

CONSTRUCTION AND SUBSEQUENT REMOVAL OF THE TEMPORARY EMBANKMENT, TEMPORARY PAVEMENT, AND TEMPORARY ENTRANCES, INCLUDING CULVERTS WILL BE PAID FOR AT THE CONTRACT UNIT PRICE FOR SAID ITEMS. EXCAVATION AND GRADING FOR THE TEMPORARY DITCH AND TEMPORARY PAVEMENT WILL NOT BE PAID FOR SEPARATELY, AS THE VOLUMES ARE ACCOUNTED FOR IN THE "EARTH EXCAVATION" AND "EARTH EXCAVATION (WIDENING)" PAY ITEMS.



STAGING NOTES:

1. CONSTRUCT TEMPORARY AGGREGATE ENTRANCES WITH CMP CULVERTS AS NEEDED TO MAINTAIN ACCESS.
2. TWO-WAY / TWO-LANE TRAFFIC SHALL BE RESTORED AT THE END OF THE WORK DAY. TWO-WAY / ONE-LANE TRAFFIC SHALL BE USED ON A LIMITED BASIS, WHEN REQUIRED, UTILIZING THE APPROPRIATE STANDARD.
3. FINAL HMA SURFACE COURSE SHALL BE PLACED THROUGHOUT THE PROJECT LIMITS AS A SEPARATE STAGE.

PLOT DATE = 11/6/2008
FILE NAME = H:\4420\1\112\112.stgpl.dgn

HMG JOB NO. 4420