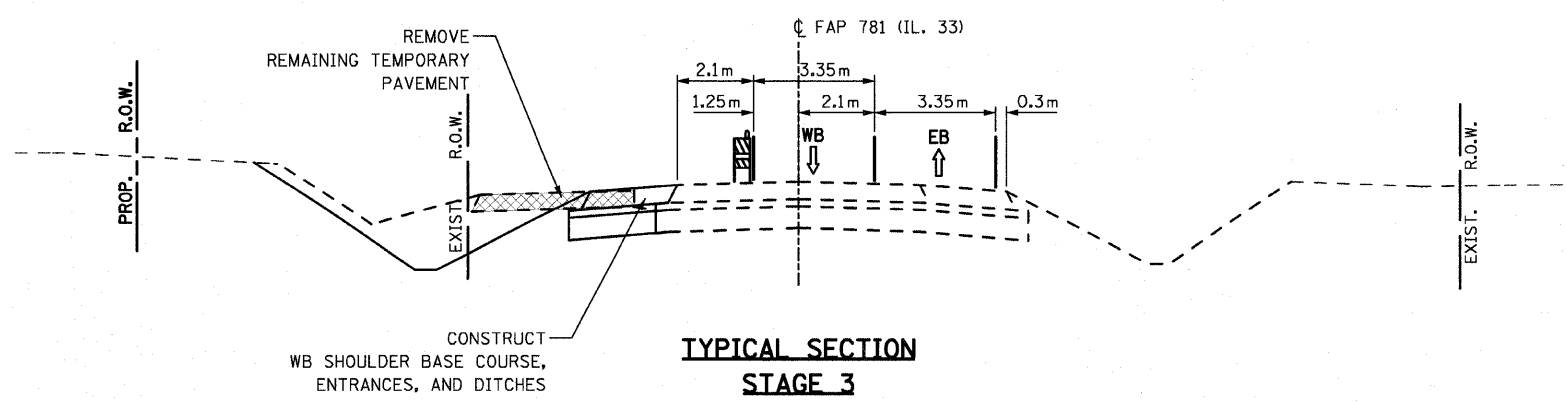
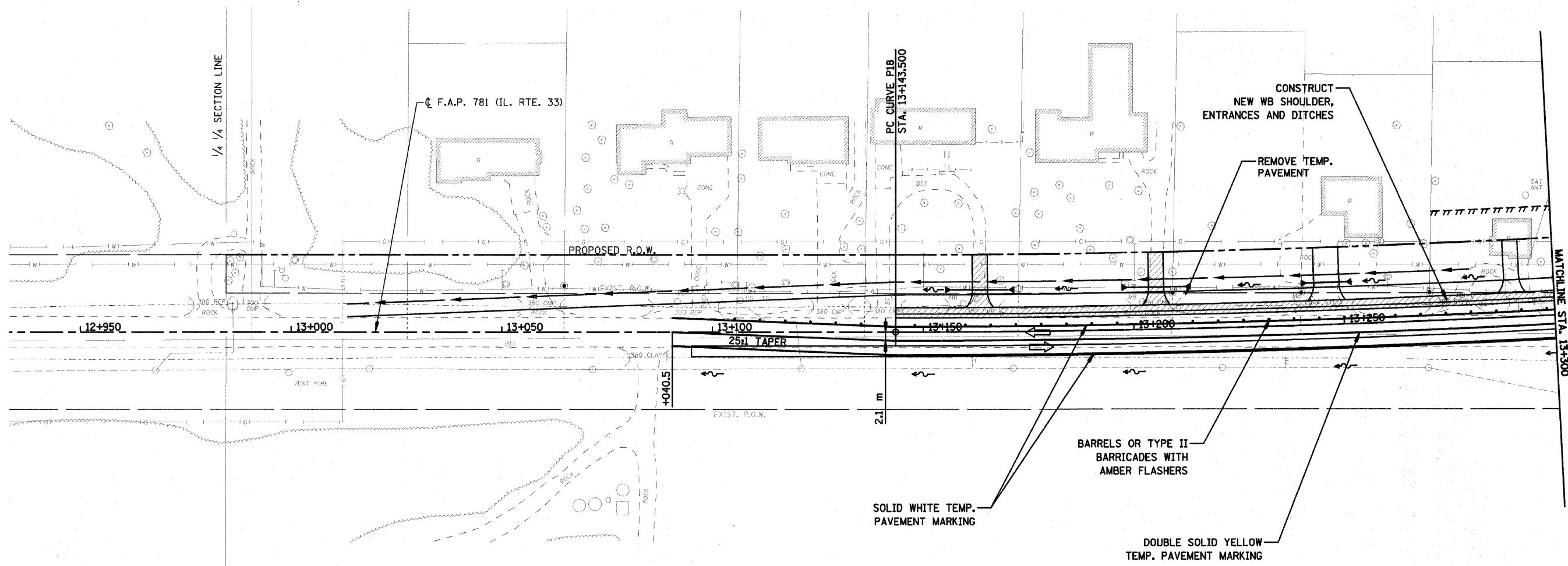
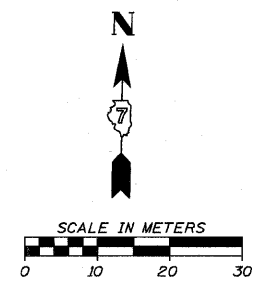


F.A.P. RTE.	SECTION	COUNTY	TOTAL SHEETS	SHEET NO.
781	1YRS, 2ZRS-1	CRAWFORD	378	118
STA.		TO STA.		
FED. ROAD DIST. NO.		ILLINOIS	FED. AID PROJECT	

LEGEND

 CONSTRUCTION THIS STAGE



NOTES:

1. MAINTAIN TEMPORARY AGGREGATE ENTRANCES AS NEEDED TO MAINTAIN ACCESS.
2. TWO-WAY / TWO-LANE TRAFFIC SHALL BE RESTORED AT THE END OF THE WORK DAY. TWO-WAY / ONE-LANE TRAFFIC SHALL BE USED ON A LIMITED BASIS, WHEN REQUIRED, UTILIZING THE APPROPRIATE STANDARD.
3. FINAL HMA SURFACE COURSE SHALL BE PLACED THROUGHOUT THE PROJECT LIMITS AS A SEPARATE STAGE.

PLOT DATE = 11/6/2008
 FILE NAME = H:\4428\Final\Plans\Drawings\1794533\SH118_stage3_1.dgn

HMG JOB NO. 4420