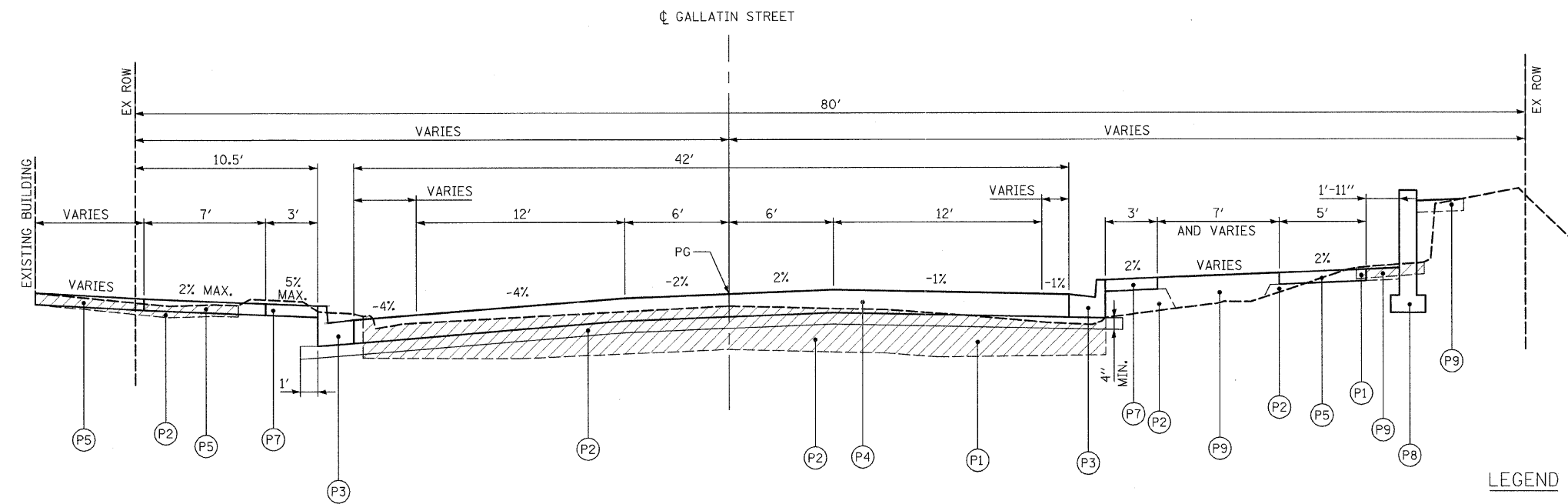


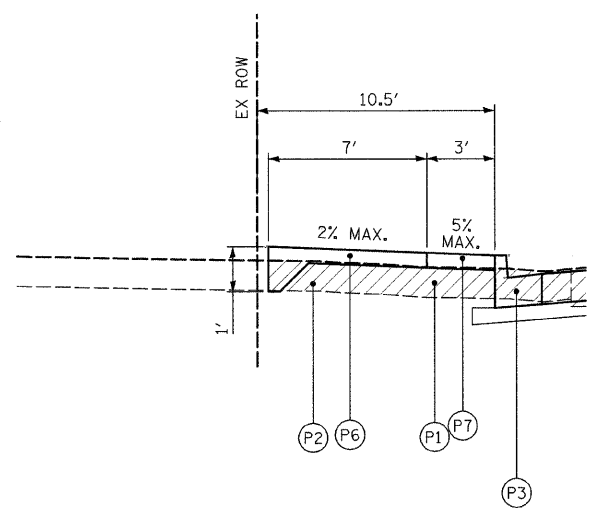
F.A. DIST. NO.	SECTION	COUNTY	TOTAL SHEETS	SHEET NO.
8419	99-00048-01-PV	FAYETTE	98	8
STA.	TO STA.			
FED. ROAD DIST. NO.	ILLINOIS	FED. AID PROJECT		
CONTRACT NO. 95500				

DRIVING LANE SLOPE TRANSITIONS

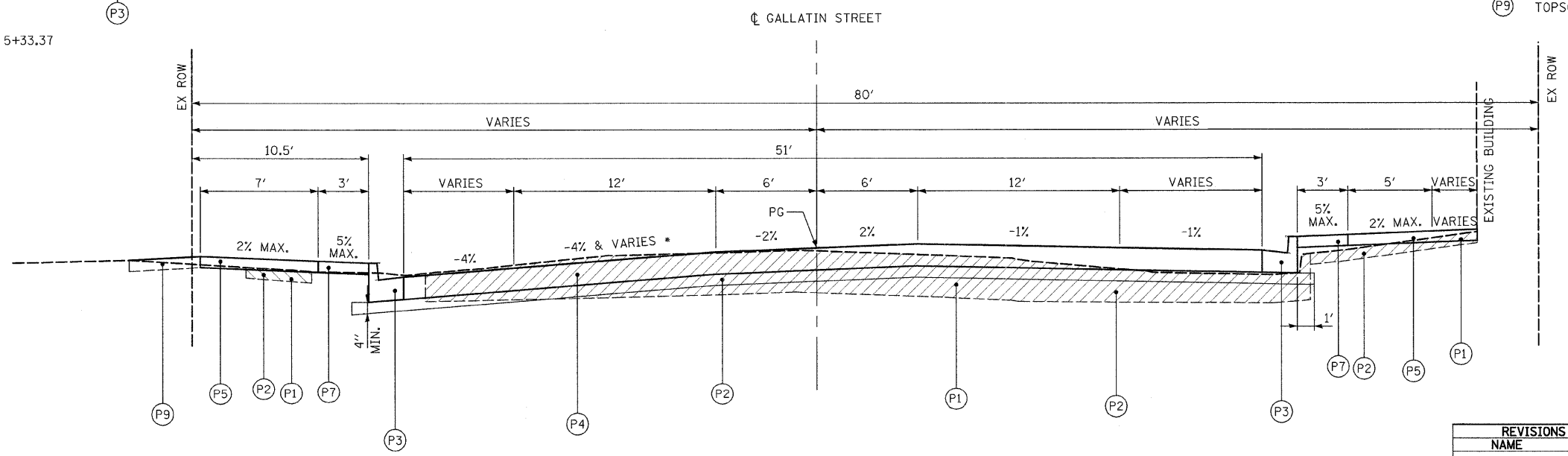
STATION	EASTBOUND	WESTBOUND
6+20		-4.0
6+40		-2.0
6+70		-2.0
6+90		-4.0
7+20	-1.0	
7+40	-1.5	
8+10	-1.5	
8+30	-2.0	
10+20	-2.0	
10+40	-1.5	
11+30	-1.5	
11+50	-2.5	
11+70	-2.5	
11+90	-1.5	
15+10	-1.5	
15+40	-3.0	
15+60	-3.0	
15+90	-1.5	



GALLATIN STREET PROPOSED TYPICAL SECTION
STA 2+68.84 TO STA 4+85.79



STA 4+11.53 TO STA 5+33.37



GALLATIN STREET PROPOSED TYPICAL SECTION
STA 4+85.79 TO STA 6+55.79
* SEE SLOPE TRANSITION TABLE

LEGEND

- (P1) PAVEMENT REMOVAL, SIDEWALK REMOVAL, AND OTHER REMOVALS DENOTED ELSEWHERE IN THE PLANS
- (P2) SUBBASE GRANULAR MATERIAL, TYPE A (4" AND VARIABLE)
- (P3) COMBINATION CONCRETE CURB AND GUTTER, TYPE B-6.18
- (P4) PORTLAND CEMENT CONCRETE PAVEMENT, 8" (JOINTED)
- (P5) PORTLAND CEMENT CONCRETE SIDEWALK, 4"
- (P6) PORTLAND CEMENT CONCRETE SIDEWALK, 4" (SPECIAL)
- (P7) STAMPED COLORED PORTLAND CEMENT CONCRETE
- (P8) MODULAR BLOCK RETAINING WALL (SEE PLANS FOR LOCATIONS)
- (P9) TOPSOIL FURNISH AND PLACE, VARIABLE DEPTH (4" MINIMUM)

NOTE:

SUBBASE GRANULAR MATERIAL, TYPE A SHALL BE USED FOR ALL FILL REQUIRED UNDER PROPOSED IMPROVEMENTS. AREAS TO BE SEEDED SHALL BE BACKFILLED WITH TOPSOIL PLACED A MINIMUM OF 4" THICK.

REVISIONS	
NAME	DATE

ILLINOIS DEPARTMENT OF TRANSPORTATION
PROPOSED TYPICAL SECTIONS
GALLATIN STREET
SCALE: VERT. _____
HORIZ. _____
DATE _____
DRAWN BY KOJ
CHECKED BY LWJ

CADD FILE: \$FILEL\$
PLOTTED: \$DATE\$

H.M. & G. NO. 4812