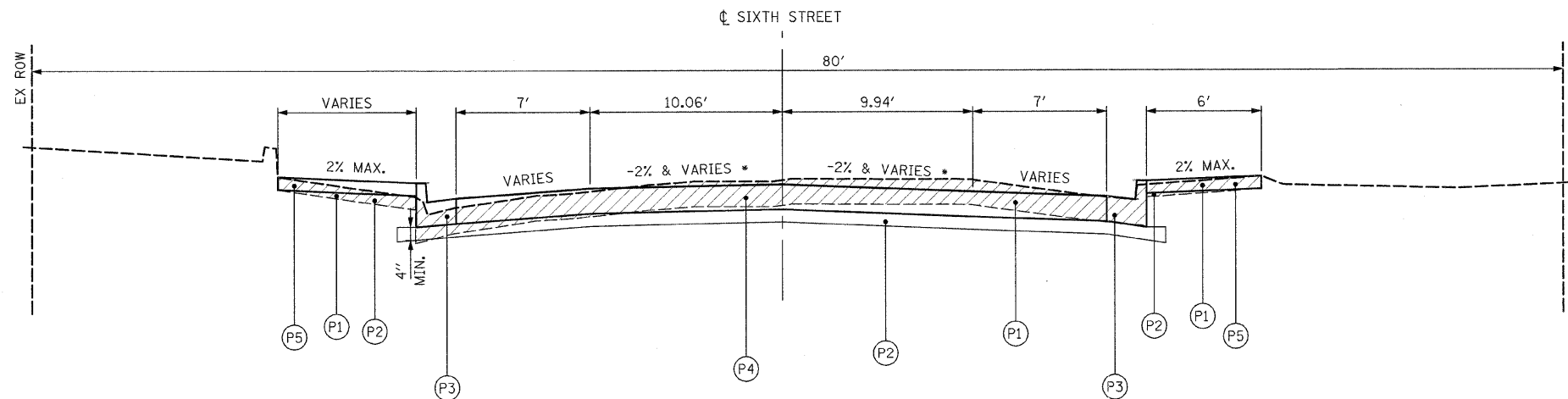


F.A.L. RTE.	SECTION	COUNTY	TOTAL SHEETS	SHEET NO.
8419	99-00048-01-PV	FAYETTE	98	11
STA.		TO STA.		
FED. ROAD DIST. NO.		ILLINOIS		FED. AID PROJECT
CONTRACT NO. 95500				



SIXTH STREET PROPOSED TYPICAL SECTION

STA 603+24 TO STA 604+13.92
 * SEE SLOPE TRANSITION TABLE

DRIVING LANE SLOPE TRANSITIONS

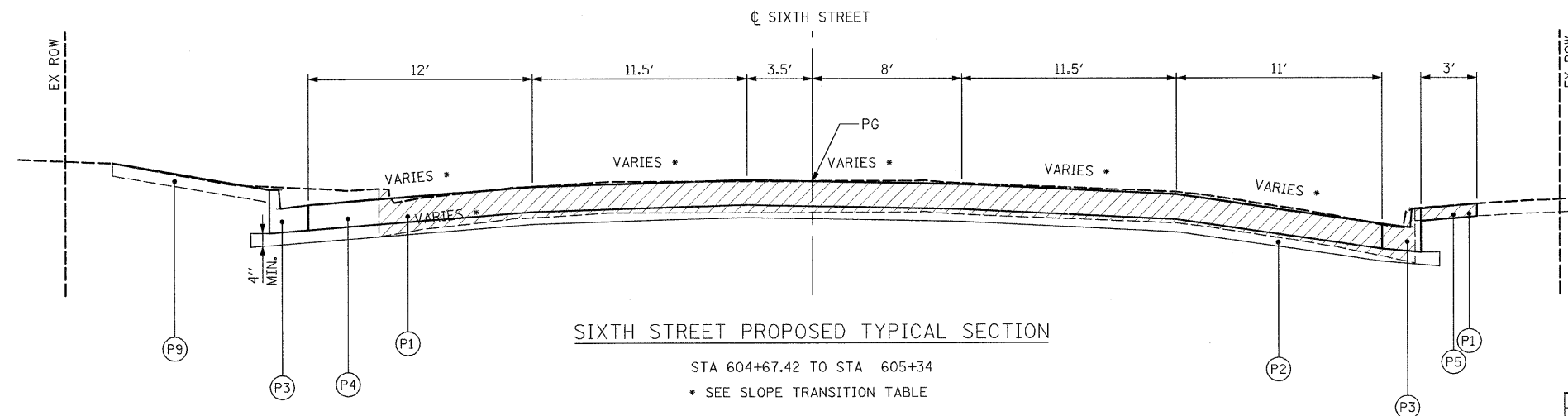
STATION	SOUTHBOUND	CENTER LANE	NORTHBOUND
603+30	-4.0		-2.5
603+40			-2.0
603+50	-2.0		
603+65	-2.0		
603+90			-2.0
604+00	+1.5		-1.5
604+90	+1.5	-1.5	-4.0
605+20	-1.5	-1.0	-2.5

LEGEND

- (P1) PAVEMENT REMOVAL, SIDEWALK REMOVAL, AND OTHER REMOVALS DENOTED ELSEWHERE IN THE PLANS
- (P2) SUBBASE GRANULAR MATERIAL, TYPE A (4" AND VARIABLE)
- (P3) COMBINATION CONCRETE CURB AND GUTTER, TYPE B-6.18
- (P4) PORTLAND CEMENT CONCRETE PAVEMENT, 8" (JOINTED)
- (P5) PORTLAND CEMENT CONCRETE SIDEWALK, 4"
- (P6) PORTLAND CEMENT CONCRETE SIDEWALK, 4" (SPECIAL)
- (P7) STAMPED COLORED PORTLAND CEMENT CONCRETE
- (P8) MODULAR BLOCK RETAINING WALL (SEE PLANS FOR LOCATIONS)
- (P9) TOPSOIL FURNISH AND PLACE, VARIABLE DEPTH (4" MINIMUM)

NOTE:

SUBBASE GRANULAR MATERIAL, TYPE A SHALL BE USED FOR ALL BACKFILL REQUIRED UNDER PROPOSED IMPROVEMENTS. AREAS TO BE SEEDED SHALL BE BACKFILLED WITH TOPSOIL PLACED A MINIMUM OF 4" THICK.



SIXTH STREET PROPOSED TYPICAL SECTION

STA 604+67.42 TO STA 605+34
 * SEE SLOPE TRANSITION TABLE

REVISIONS	
NAME	DATE

ILLINOIS DEPARTMENT OF TRANSPORTATION
 PROPOSED TYPICAL SECTIONS
 SIXTH STREET

SCALE: VERT. _____
 HORIZ. _____
 DATE _____ DRAWN BY KOJ
 CHECKED BY LWJ

CADD FILE: H:\4812\08\01\011\typsecs_sixth.dgn
 PLOTTED: 11/3/2008

H.M. & G. NO. 4812