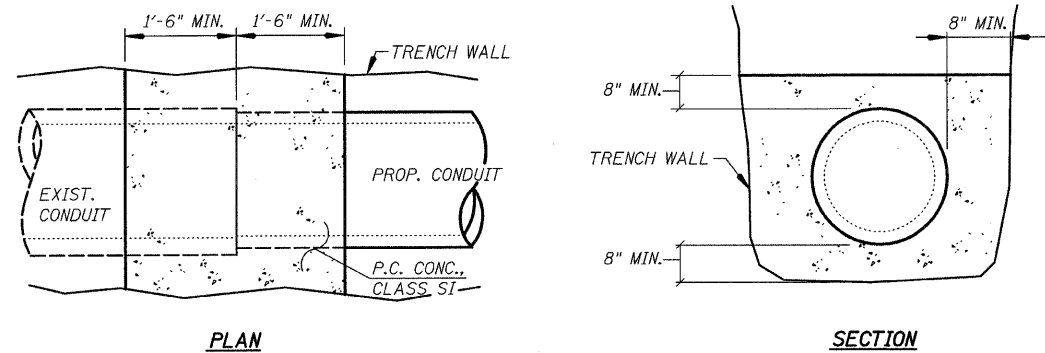
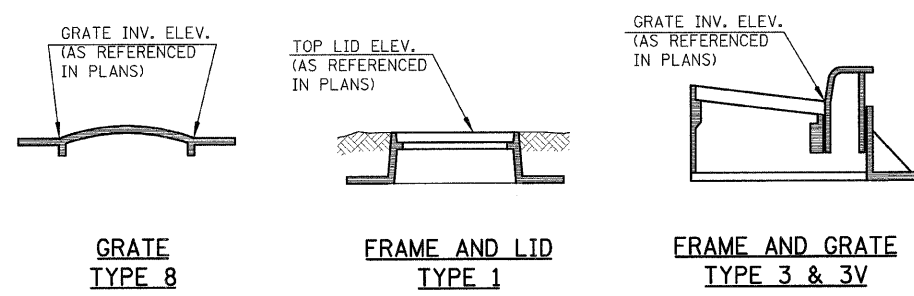


F.A.U. RTE.	SECTION	COUNTY	TOTAL SHEETS	SHEET NO.
8419	99-00048-01-PV	FAYETTE	98	43
STA.		TO STA.		
FED. ROAD DIST. NO.		ILLINOIS FED. AID PROJECT		
CONTRACT NO. 95500				

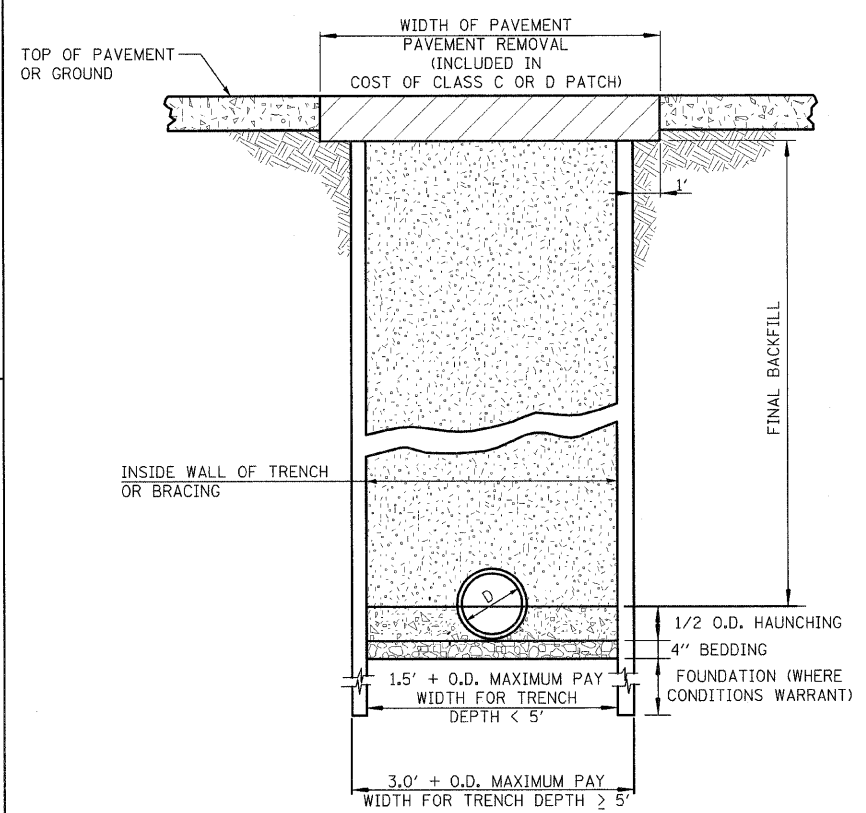


CONCRETE COLLAR DETAILS



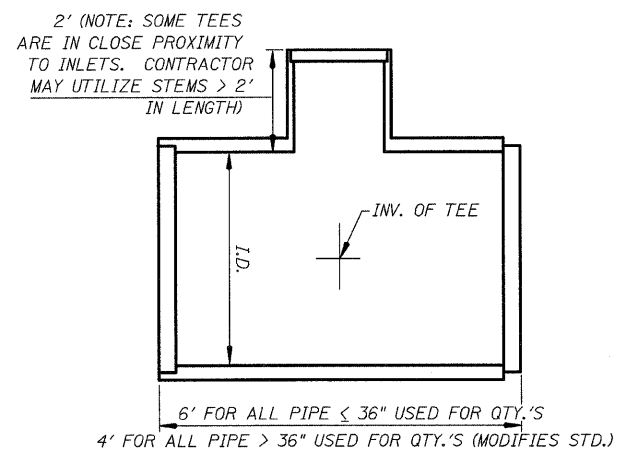
TYPICAL LID/GRATE ELEVATION REFERENCE DETAIL

NOTE: ALL MANHOLE/INLET RELATED STATION/OFFSET CALLOUTS ARE REFERENCED TO THE CENTER OF THE STRUCTURE NOT THE GRATE OR LID



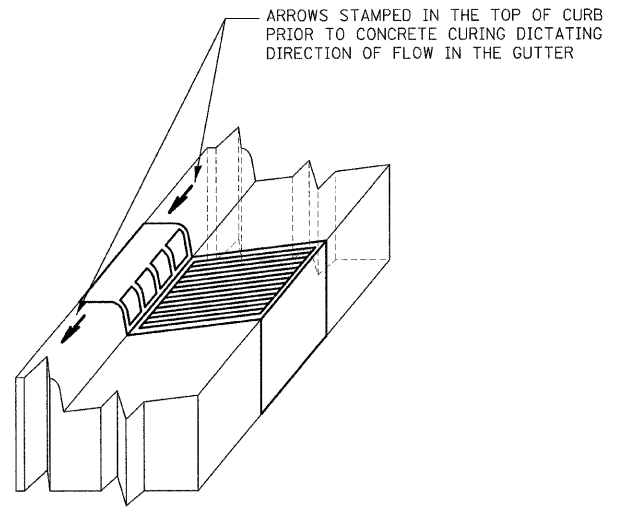
TRENCHING DETAIL

- BEDDING**
CA 15, CA-16, CM-15, OR CM-16 REQUIRED IN ALL LOCATIONS (INCLUDED IN THE COST OF PIPE)
- HAUNCHING**
CA 15, CA-16, CM-15, OR CM-16 REQUIRED IN ALL LOCATIONS (INCLUDED IN THE COST OF PIPE)
- FINAL BACKFILL**
CA 7 REQUIRED IN ALL LOCATIONS WHERE THE EDGE OF THE TRENCH IS LOCATED WITHIN TWO (2) FEET OF A PERMANENT SURFACE, INCLUDING DRIVEWAYS AND SIDEWALK AND IN ALL LOCATIONS WHERE EXISTING MAINS AND APPURTENANCES ARE TO BE REMOVED.
CA 7 PAID FOR AS TRENCH BACKFILL, SPECIAL.
CASE 1 BACKFILL FREE FROM ORGANICS AT ALL OTHER LOCATIONS (INCLUDED IN THE COST OF PIPE)
- PAVEMENT PATCH**
CLASS C, 8" OR CLASS D, 5" PATCH (SEE REMOVAL PLANS FOR LOCATIONS)

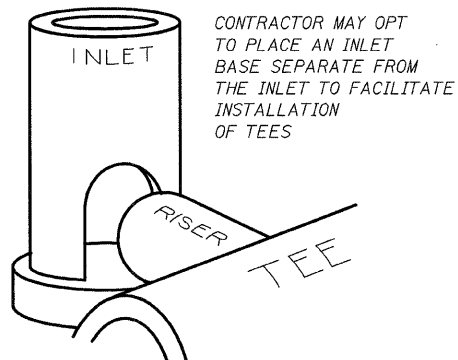


REINFORCED CONCRETE PIPE TEE DETAIL

(SEE ALSO STANDARD 542606. NO ADDS OR DEDUCTS WILL BE MADE FOR DIFFERENT PIPE RUN LENGTHS IF THE CONTRATOR UTILIZES TEE DIMENSIONS DIFFERENT FROM THIS DETAIL)

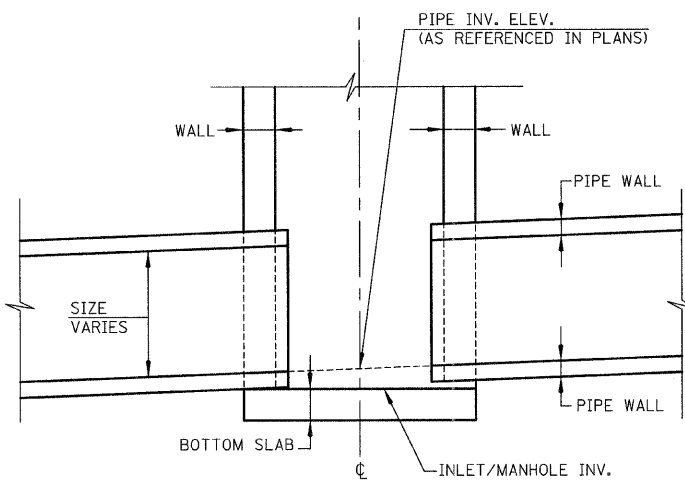


VANE GRATE CURB FLOW ARROW DETAIL



TEE & INLET ASSEMBLY DETAIL (OPTIONAL)

STORM SEWER DETAILS



TYPICAL INLET/MANHOLE ELEVATION REFERENCE DETAIL

REVISIONS	
NAME	DATE

ILLINOIS DEPARTMENT OF TRANSPORTATION

STORM SEWER DETAILS

SCALE: VERT. _____
HORIZ. _____

DATE _____

DRAWN BY KOJ
CHECKED BY LWJ E.D.W.

CADD FILE: H:\4812\Des\ign\03ss_detail1.s_01.dgn
PLOTTED: 11/3/2008

H.M. & G. NO. 4812