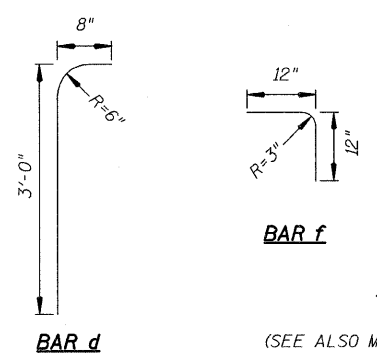
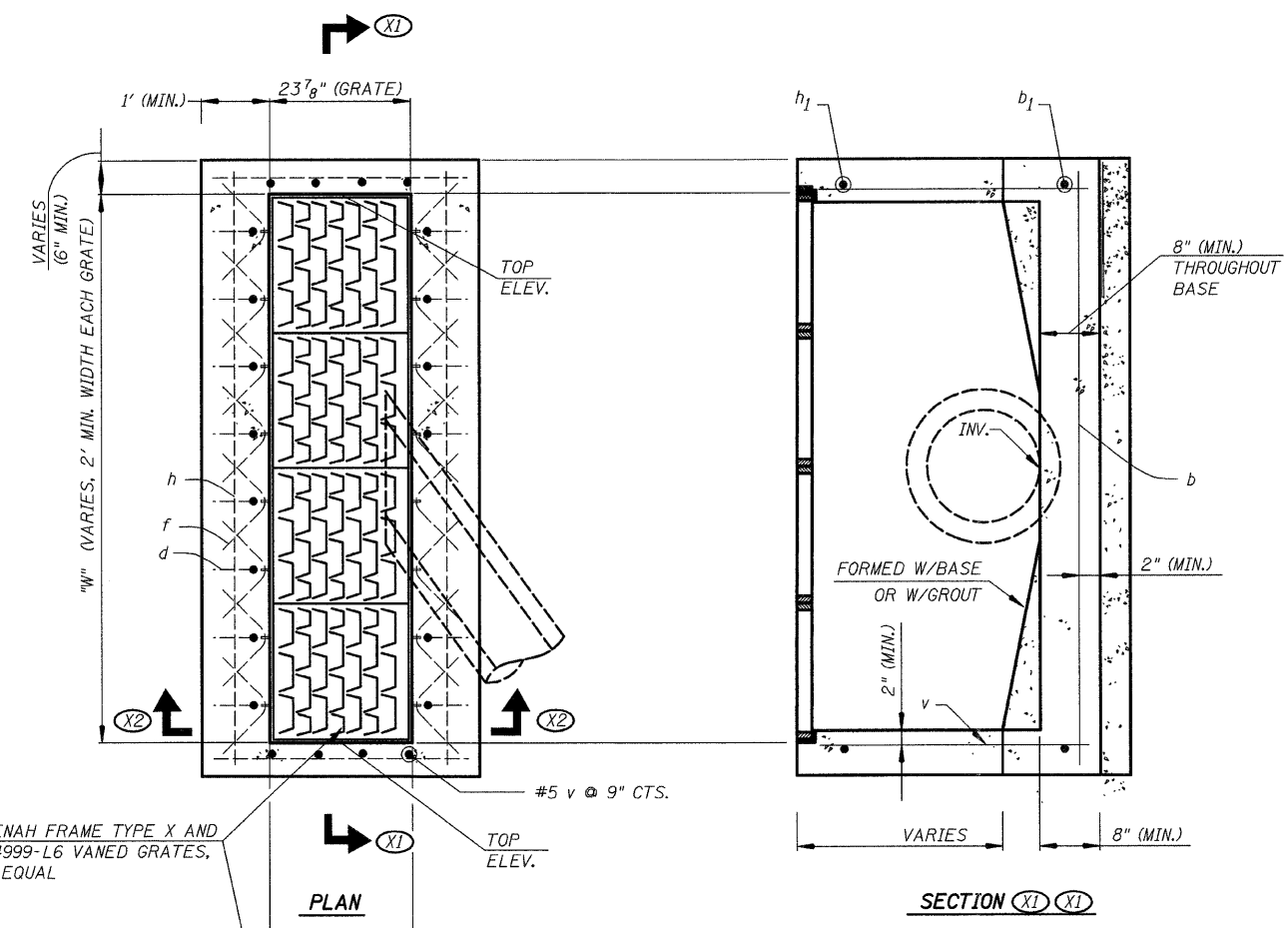


F.A.L. RTE.	SECTION	COUNTY	TOTAL SHEETS	SHEET NO.
8419	99-00048-01-PV	FAYETTE	98	44
STA.		TO STA.		
FED. ROAD DIST. NO.		ILLINOIS FED. AID PROJECT		
CONTRACT NO. 95500				

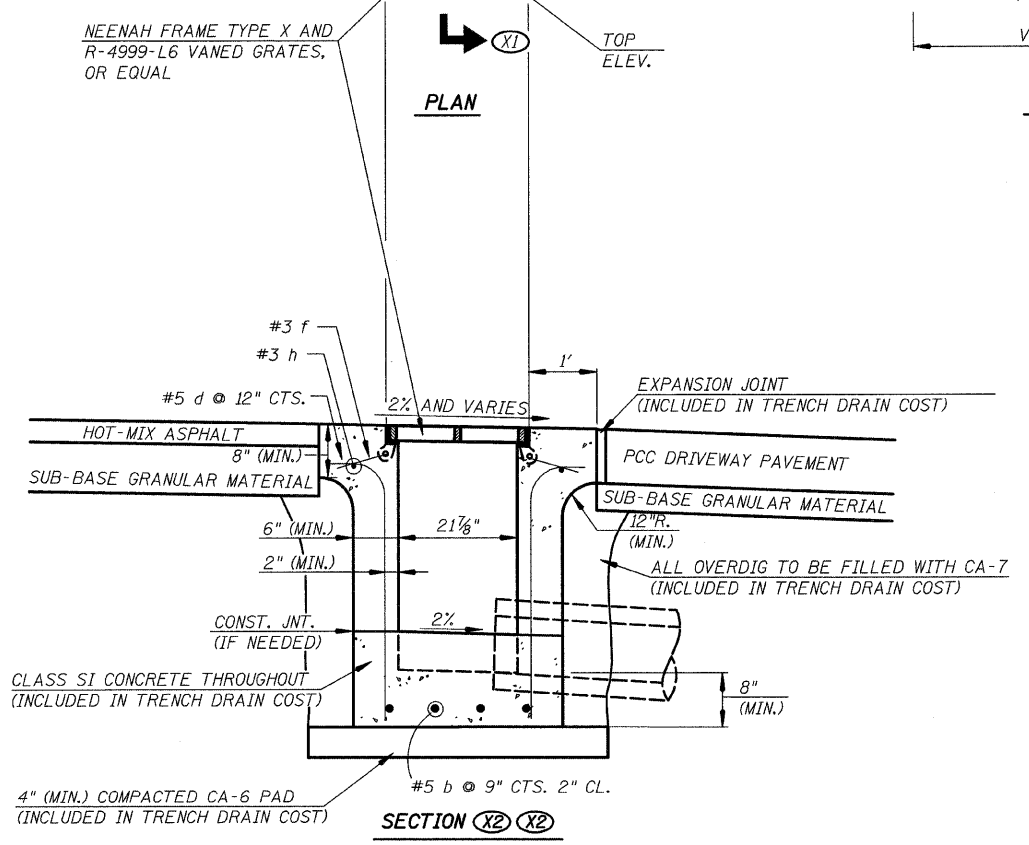


**TRENCH DRAIN DETAILS**  
(SEE ALSO MANUFACTURER'S RECOMMENDATIONS)

**BILL OF MATERIAL**

BAR	NO.	SIZE	LENGTH	SHAPE
b	4	#5	8'-8"	—
b <sub>1</sub>	2	#5	2'-8"	—
d	14	#5	3'-6"	U
f	16	#3	1'-11"	L
h	2	#3	8'-2"	—
h <sub>1</sub>	2	#3	3'-8"	—
v	8	#5	3'-2"	—
REINFORCEMENT BARS			POUND	141

NOTES:  
COST OF REINFORCEMENT BARS TO BE INCLUDED IN COST OF TRENCH BOX.  
WIRE TIE ALL BAR CROSSINGS.



REVISIONS	
NAME	DATE

ILLINOIS DEPARTMENT OF TRANSPORTATION

**STORM SEWER DETAILS**

SCALE: VERT.      DRAWN BY KOJ  
 HORIZ.              CHECKED BY LWJ

CADD FILE: H:\4812\Design\04ss\_details\_02.dgn  
PLOTTED: 11/3/2008

H.M. & G. NO. 4812