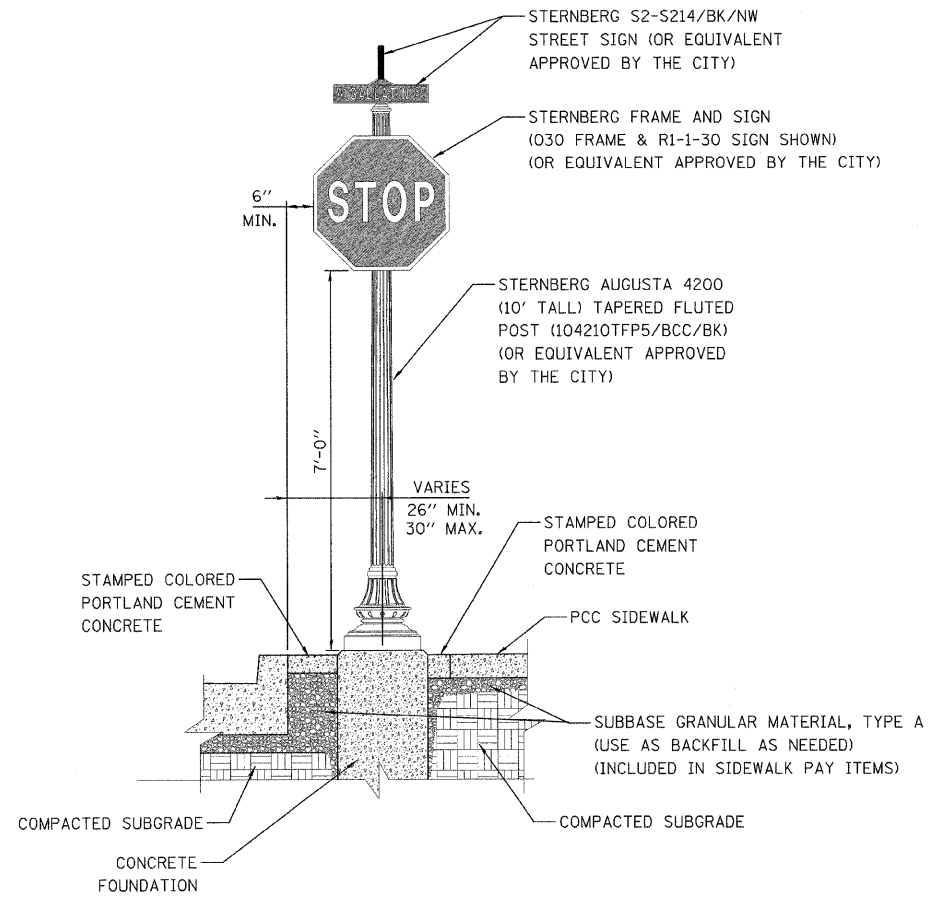
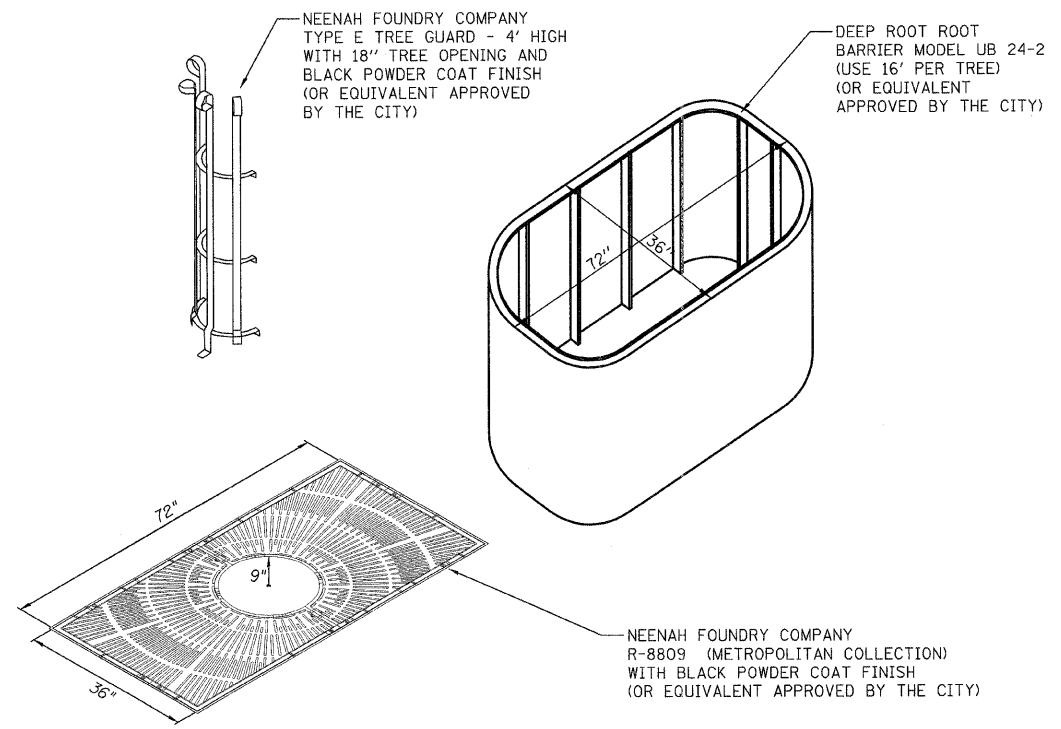


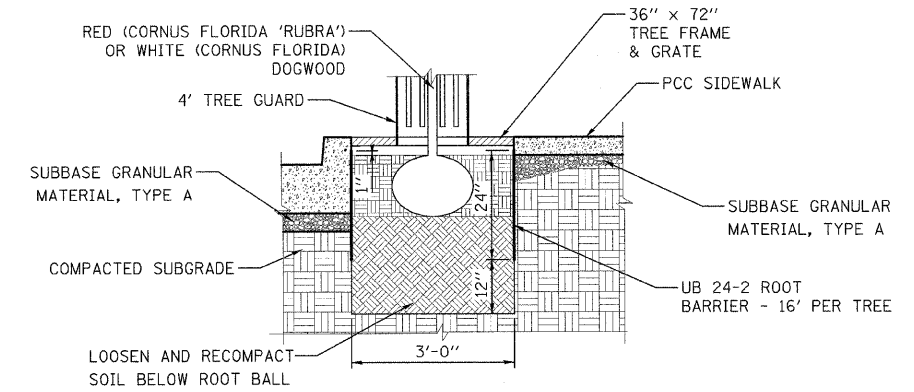
F.A.U. RTE.	SECTION	COUNTY	TOTAL SHEETS	SHEET NO.
8419	99-00048-01-PV	FAYETTE	98	58
STA.		TO STA.		
FED. ROAD DIST. NO.	ILLINOIS	FED. AID PROJECT		
CONTRACT NO. 95500				



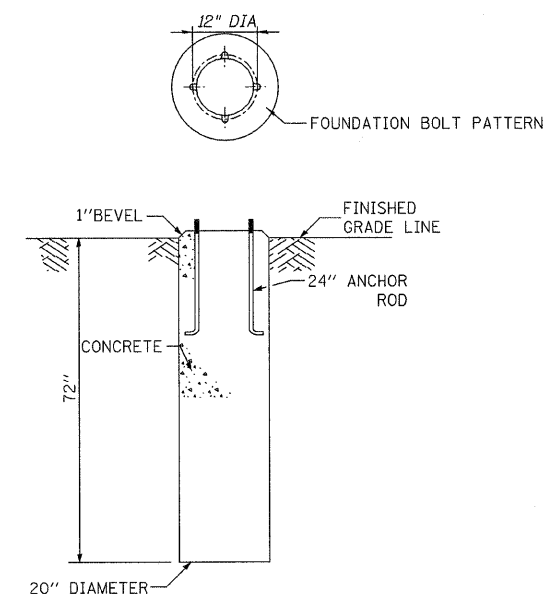
**ORNAMENTAL STREET SIGN POST**



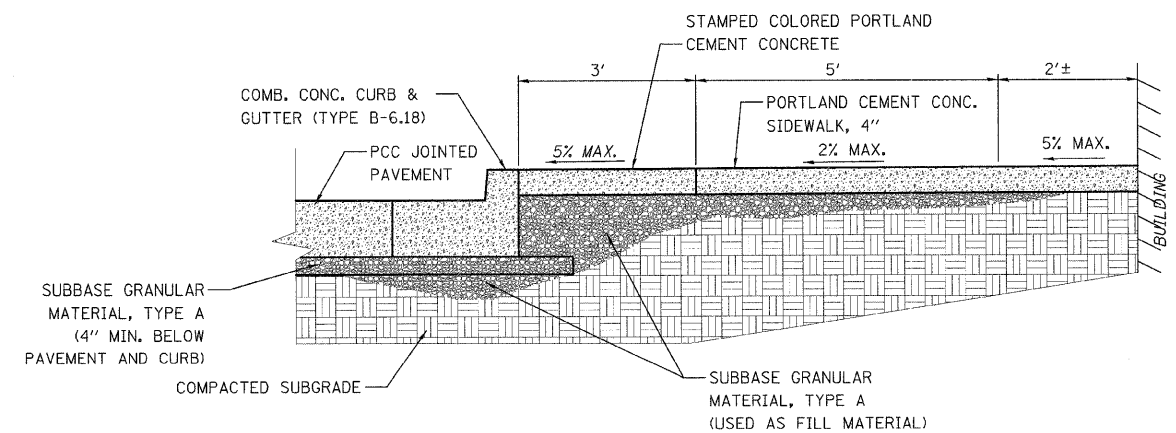
**TREE GRATES, FRAMES, GUARDS, & ROOT BARRIER**



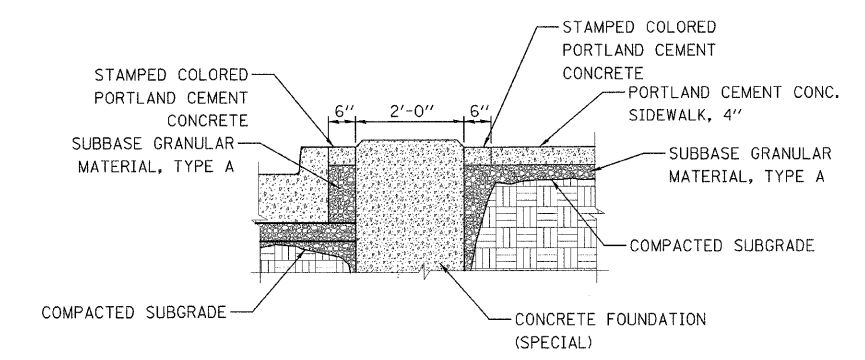
**TREE & GRATE**



**CONCRETE FOUNDATION**



**SIDEWALK TYPICAL SECTION DETAIL**



**LIGHT POLE FOUNDATION**

REVISIONS	
NAME	DATE

ILLINOIS DEPARTMENT OF TRANSPORTATION

**VANDALIA - GALLATIN STREET DETAILS**

SCALE: VERT. HORIZ.

DATE

DRAWN BY KOJ

CHECKED BY LWJ

CADD FILE: H:\4812\Des\ign\058-60D1\decorative.dgn  
 PLOTTED: 11/3/2008

PLM & G. NO. 4812