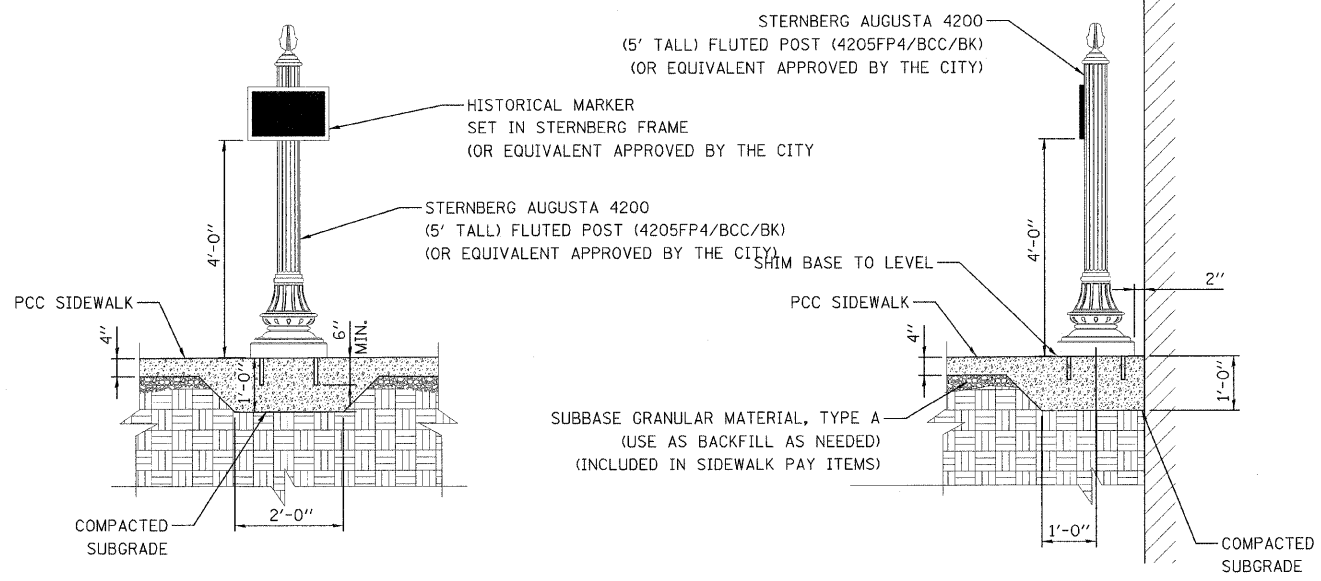
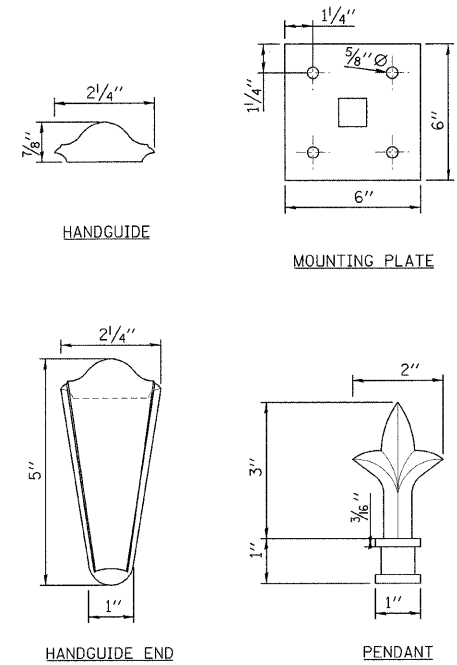


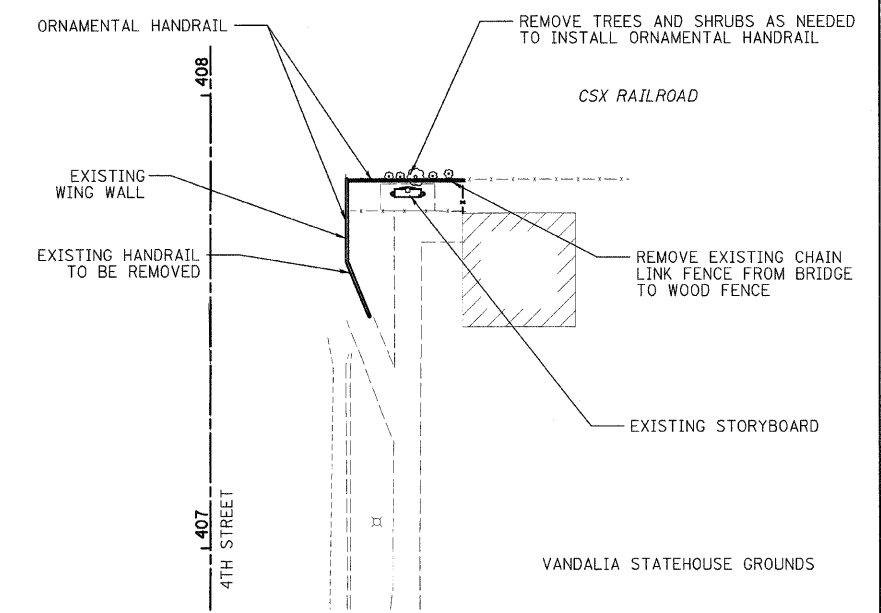
F.A.U. RTE.	SECTION	COUNTY	TOTAL SHEETS	SHEET NO.
8419	99-00048-01-PV	FAYETTE	98	59
STA.		TO STA.		
FED. ROAD DIST. NO.	ILLINOIS	FED. AID PROJECT		
CONTRACT NO. 95500				

THE THREE HISTORICAL MARKERS TO BE INSTALLED IN THE FRAMES SHALL BE CAREFULLY REMOVED FROM THEIR CURRENT MOUNTING AT THE BEGINNING OF THE PROJECT AND SHALL BE DELIVERED TO THE CITY, UNDAMAGED, FOR CLEANING. THIS EFFORT SHALL BE INCLUDED IN THE COST OF THE SIGN POST.

THE MARKERS MEASURE: 18" x 12", 18" x 12", AND 24" x 12"

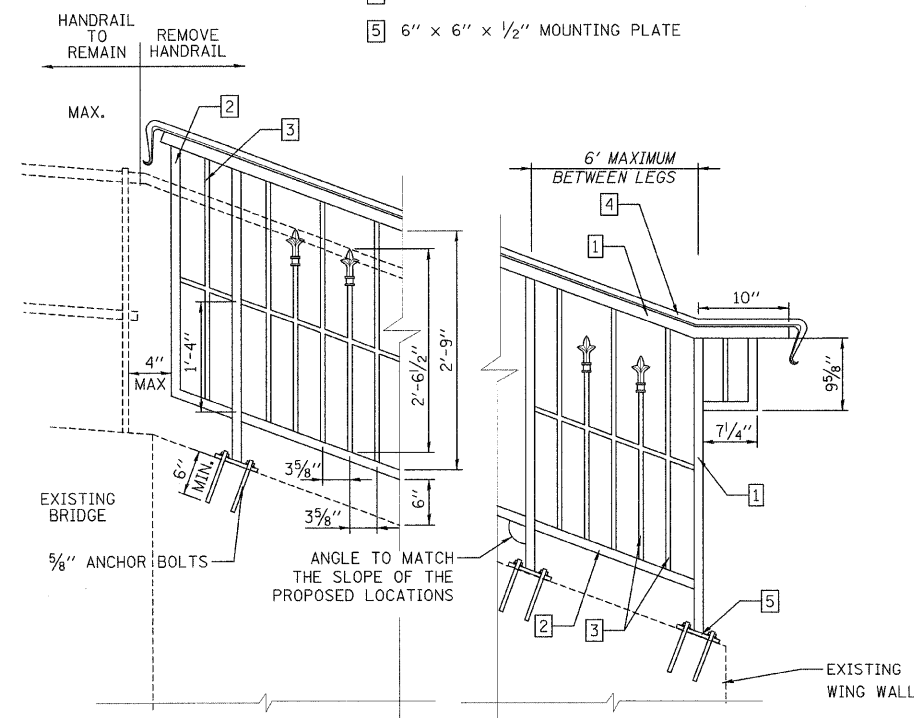


**HISTORICAL INFORMATION SIGN POST**

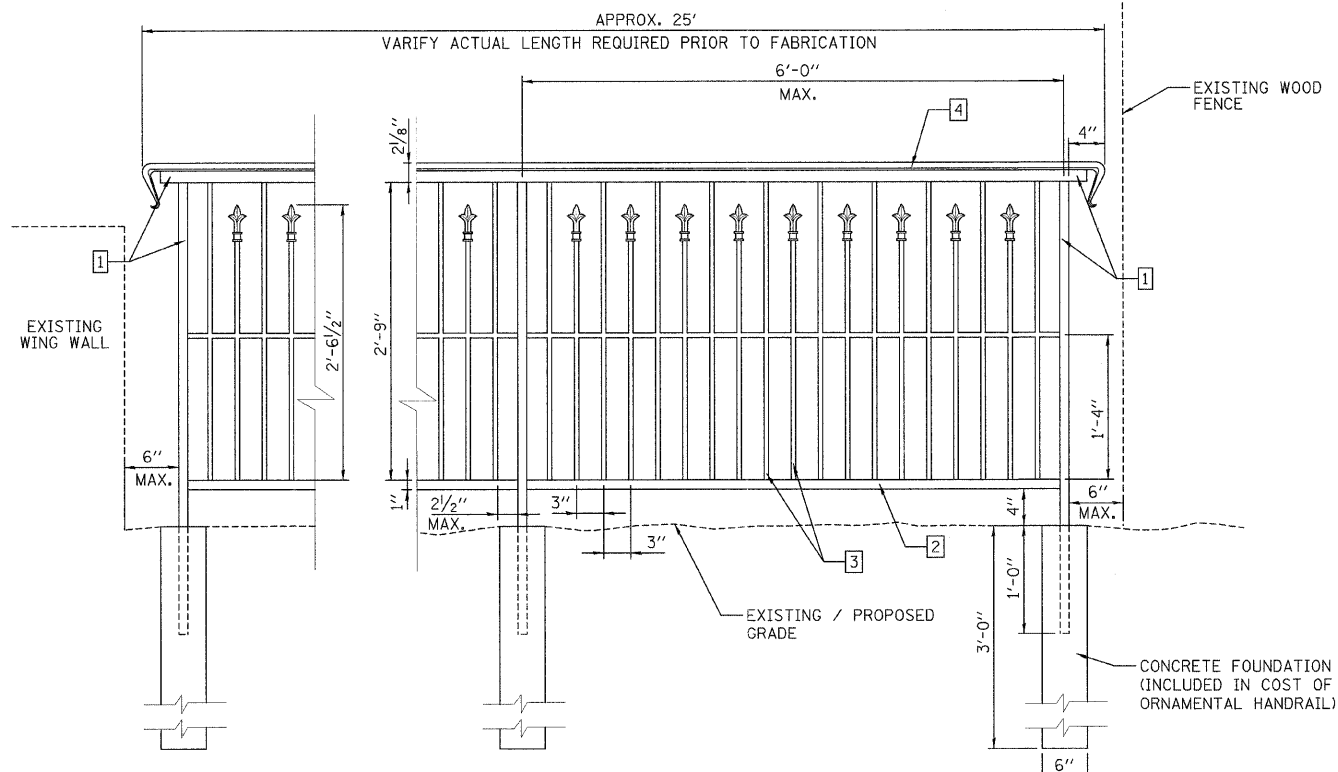


**ORNAMENTAL HANDRAIL LOCATION**

- 1 1/4" x 1/4" HOLLOW SQUARE STOCK
- 2 1" x 1" HOLLOW SQUARE STOCK
- 3 1/2" x 1/2" SOLID SQUARE STOCK
- 4 FORMED HANDRAIL
- 5 6" x 6" x 1/2" MOUNTING PLATE



**ORNAMENTAL HANDRAIL MOUNTED ON WINGWALL**



**ORNAMENTAL HANDRAIL BEHIND STORYBOARD**

NOTES:  
 ORNAMENTAL HANDRAIL SHALL BE CONSTRUCTED TO THE GENERAL DIMENSIONS SHOWN AS TO AESTHETICALLY MATCH THE RAILING IN THE NORTHEAST QUADRANT OF THE STATE HOUSE PROPERTY. THE CONTRACTOR SHALL PROVIDE SAMPLE BUILDING MATERIALS AND SHOP DRAWINGS FOR APPROVAL BEFORE FABRICATION.  
 THE HANDRAIL POSTS ON THE WING WALL SHALL BE SURFACE MOUNTED USING FOUR (4) 5/8" INCH DIAMETER GALVANIZED ANCHOR BOLTS.  
 THE CONTRACTOR SHALL PLACE THE HANDRAIL AT AN ELEVATION BEHIND THE STORYBOARD SO THAT IT DOES NOT EXCEED THE HEIGHT OF THE STORYBOARD. THE HEIGHT OF THE STORYBOARD IS APPROXIMATELY 3 FEET. GRADING MAY BE REQUIRED.  
 POSTS SHALL BE PLACED NO FARTHER THAN 6 FEET APART.

REVISIONS		ILLINOIS DEPARTMENT OF TRANSPORTATION	
NAME	DATE		

VANDALIA - GALLATIN STREET DETAILS

SCALE: VERT. HORIZ. DATE

DRAWN BY KOJ CHECKED BY LWJ

CADD FILE: H:\4812\Desi\gn\058-600H1\decorative.dgn PLOTTED: 11/3/2008

H.M. & G. NO. 4812