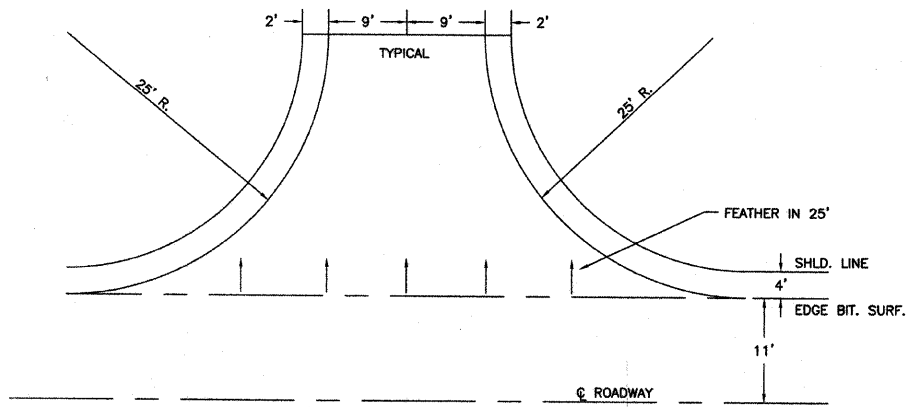
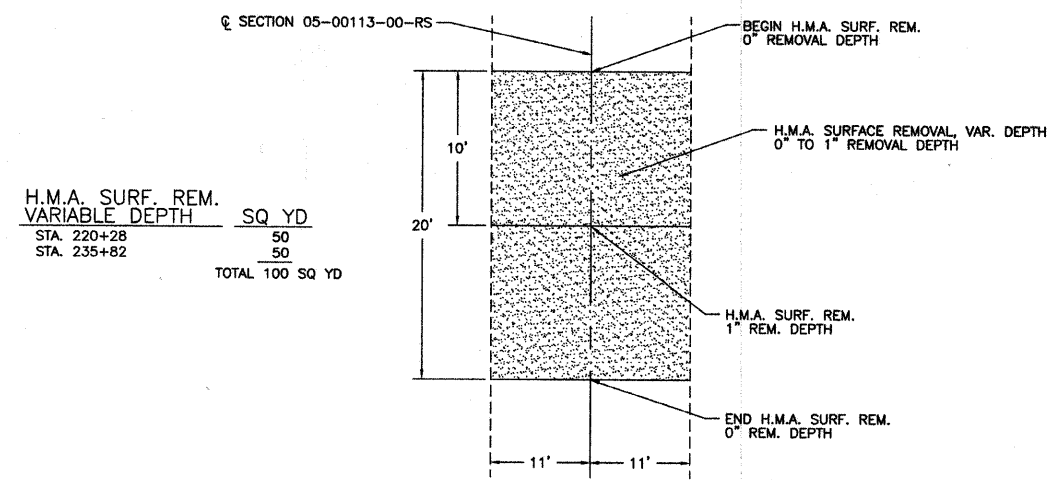


ROUTE	SECTION	COUNTY	TOTAL SHEETS	SHEET NO.
FAS 797	05-00113-00-RS	WAYNE	5	5
CONTRACT NO. 95562		ILLINOIS		

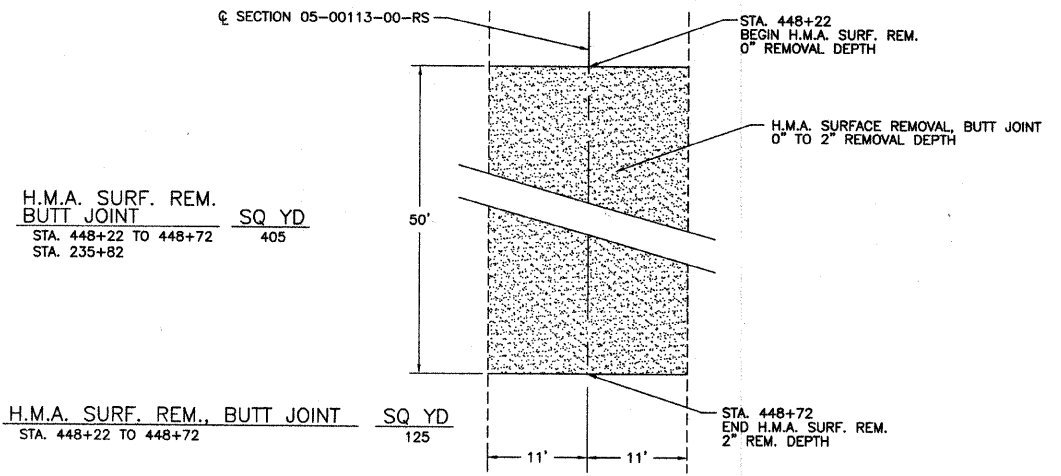


SIDEROAD DETAIL

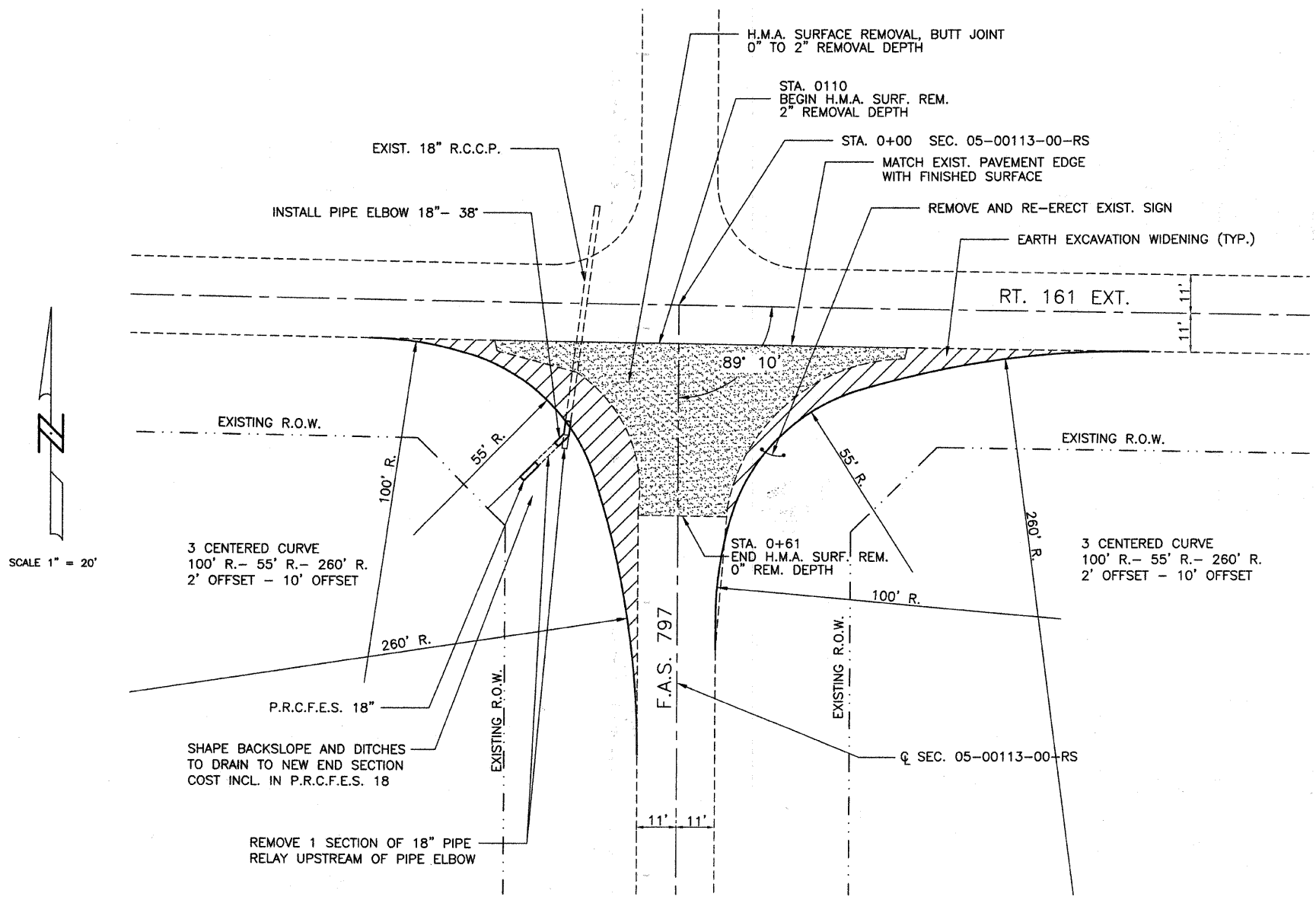
LEVELING BINDER (MM) N50 STA. 0+11 TO 1+20	TON 8	EARTH EXCAVATION WIDENING STA. 0+11 TO 1+20	CU YD 55	FURNISHED EXCAVATION STA. 0+11 TO 1+20	CU YD 125
H.M.A. SURF. CSE., MIX D, N50 STA. 0+11 TO 1+20	TON 12	H.M.A. BASE CSE. WIDENING, 11" STA. 0+11 TO 1+20	SQ YD 172	SEEDING, CLASS 2 (SPECIAL) STA. 0+11 TO 1+20	ACRE 0.05
REINF. CONC. PIPE ELBOW 18" RT. STA. 0+38	EACH 1	REM. & RE-ERECT EXIST. SIGN LT. STA. 0+43	EACH 1	REM. & RELAY PIPE CULV. 18" RT. STA. 0+38	FOOT 8
P.R.C.F.E.S. 18" RT. STA. 0+50	EACH 1	H.M.A. SURF. REM., BUTT JOINT STA. 0+11 TO 0+61	SQ YD 280		



H.M.A. REMOVAL DETAIL - A.R. PIPES



H.M.A. REMOVAL DETAIL - SOUTH END



INTERSECTION DETAIL - RT. 161 EXT.