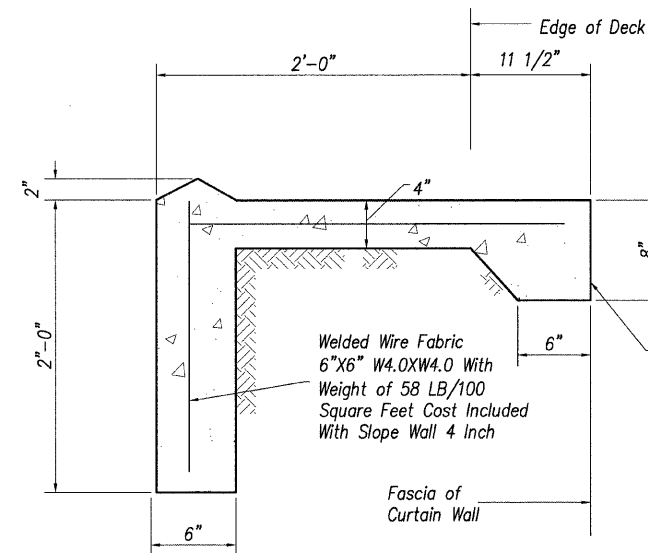
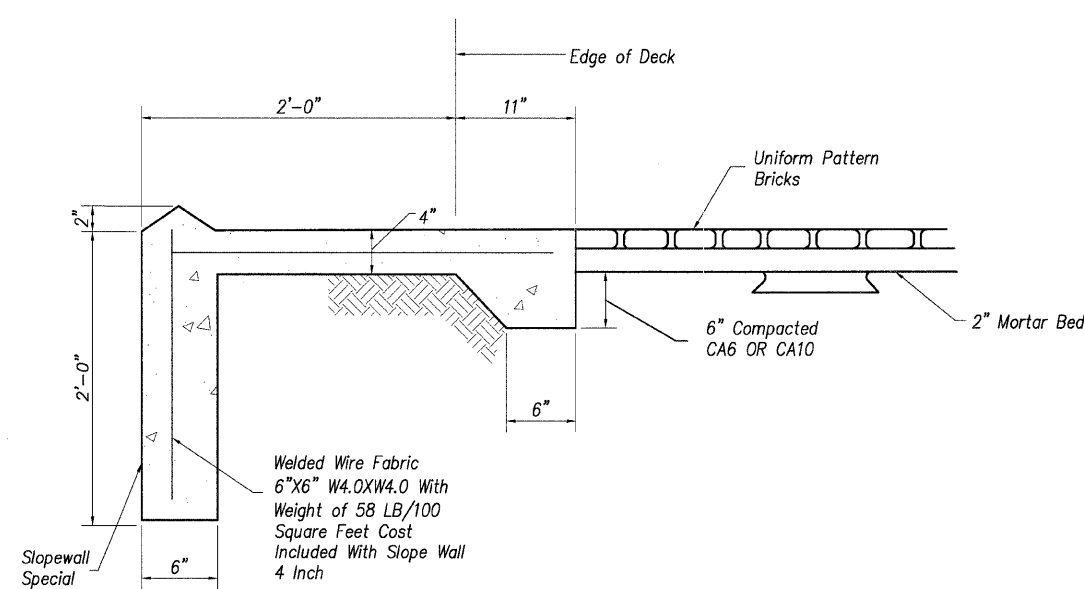


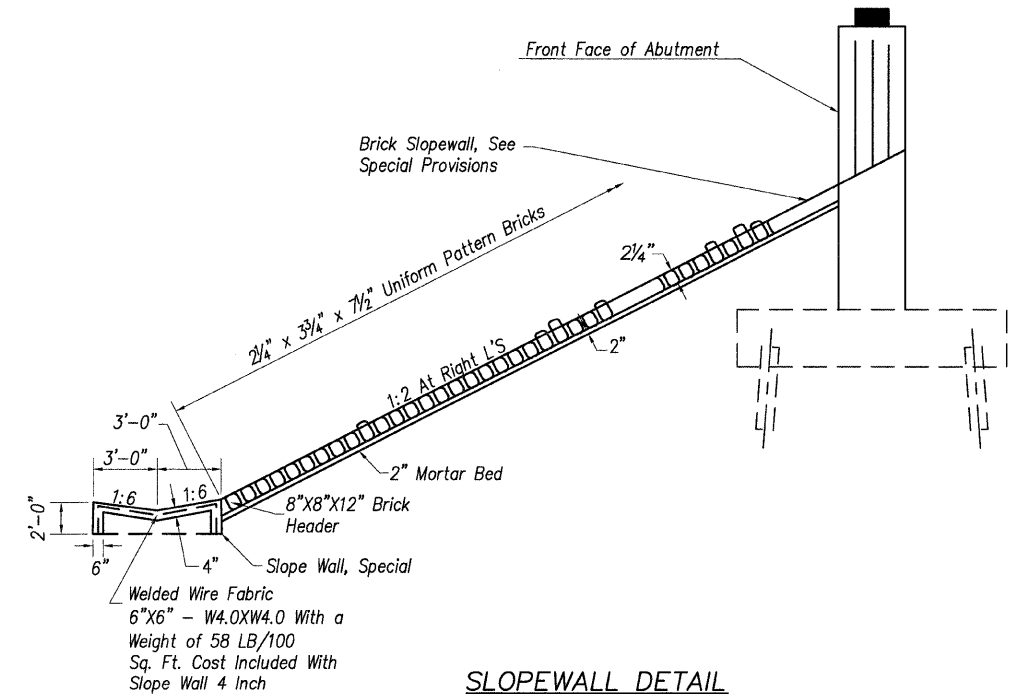
FOOTING LAYOUT



SECTION B-B




SECTION A-A



SLOPEWALL DETAIL

Slopes Indicated Thus 1:6 Etc. Indicates V:H (Vertical To Horizontal)

DESIGNED	T.M.M.
CHECKED	C.M.W.
DRAWN	B.D.M./S.H.K.
CHECKED	C.M.W.



Hoelscher Engineering, P.C.
11 Executive Drive Suite 12
Fairview Heights, Illinois 62208
(618)624-9610 FAX: (618)624-8611

Note:
For Location of Sections A-A and Section B-B see sheet 1 of 26

REVISIONS	
NAME	DATE

ILLINOIS DEPARTMENT OF TRANSPORTATION
FOOTING LAYOUT AND SLOPEWALL DETAILS
WEST CORBIN STREET OVER F.A.P. 310 (IL-255)
F.A.U. 8959 SECTION 05-00016-03-BR
MADISON COUNTY
STATION 36+23.37
STRUCTURE NO. 060-6851