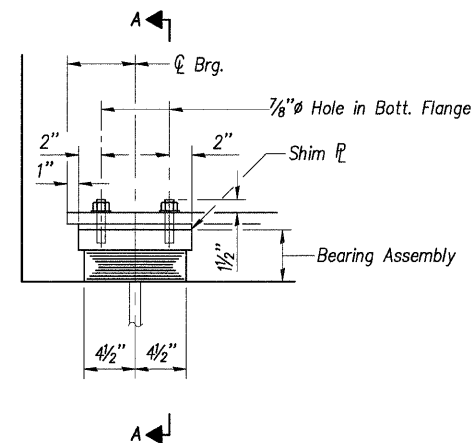


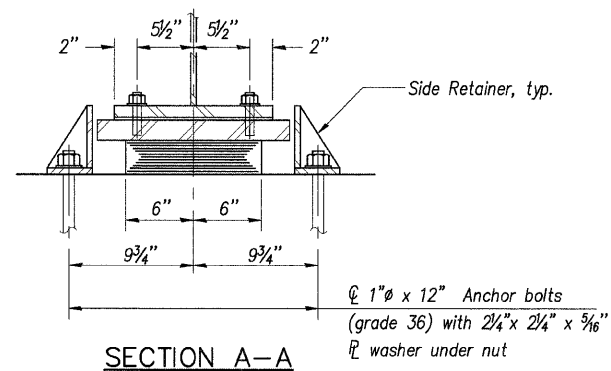
ROUTE NO.	SECTION	COUNTY	TOTAL SHEETS	SHEET NO.
F.A.U. 8959	05-00016-03-BR	MADISON	129	67
FED. ROAD DIST. NO. 7	ILLINOIS	FED. AID PROJECT-		

SHEET NO. 16
30 SHEETS

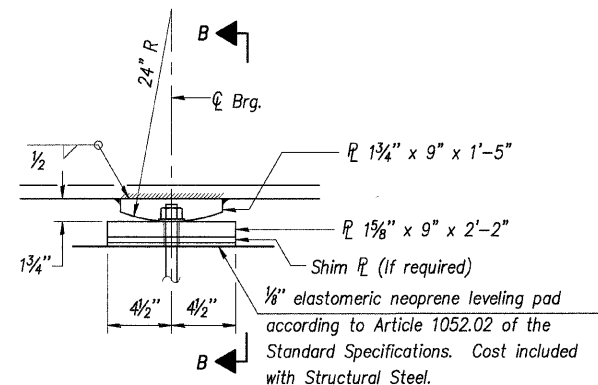
Contract # 97351



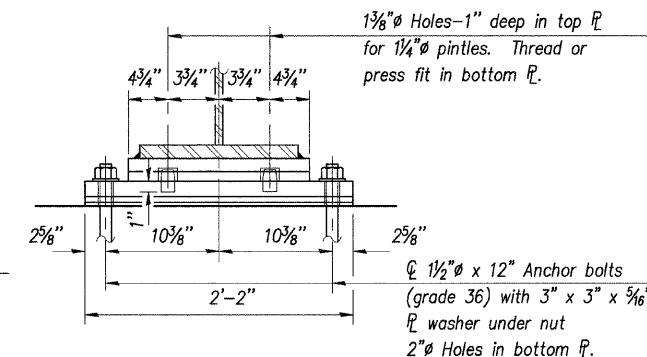
ELEVATION AT ABUT.



SECTION A-A

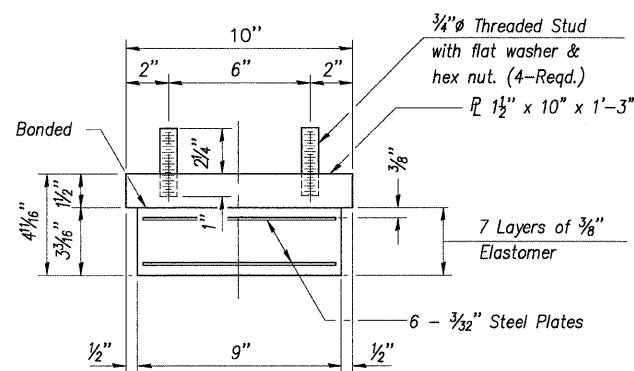


ELEVATION AT PIER



SECTION B-B

TYPE I ELASTOMERIC EXP. BRG.

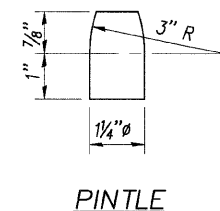


BEARING ASSEMBLY

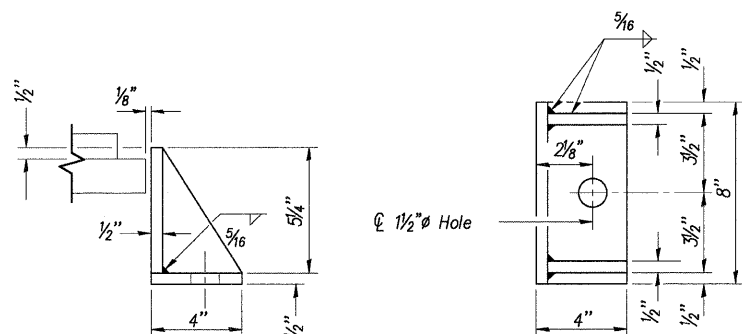
Note:
Shim plates shall not be placed under Bearing Assembly.

Notes:
Anchor bolts shall be ASTM F1554 all-thread (or an Engineer-approved alternate material) of the grade(s) and diameter(s) specified. ASTM A307 Grade C anchor bolts may be used in lieu of ASTM F1554 Grade 36 (Fy=36ksi). The corresponding specified grade of AASHTO M314 anchor bolts may be used in lieu of ASTM F1554.
Anchor bolts at fixed bearings may be either cast in place or installed in holes drilled after the supported member is in place.
Anchor bolts for side retainers may be cast in place or installed in holes drilled before or after members are in place.
Drilled and set anchor bolts shall be installed according to Article 521.06 of the Standard Specifications.
Side retainers and other steel members required for the bearing assembly shall be included in the cost of Elastomeric Bearing Assembly, Type I.
Two 1/8 in. adjusting shims shall be provided for each bearing in addition to all other plates or shims and placed as shown on bearing details.
The structural steel plates of the Bearing Assembly shall conform to the requirements of AASHTO M270 Grade 50.

FIXED BEARING



PINTLE

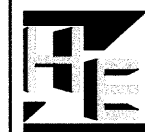


SIDE RETAINER
Equivalent rolled angle with stiffeners will be allowed in lieu of welded plates.

BILL OF MATERIAL

Item	Unit	Total
Elastomeric Bearing Assembly Type I	Each	12
Anchor Bolts 1 1/2" ϕ	Each	12
Anchor Bolts 1" ϕ	Each	24

DESIGNED	T.M.M.
CHECKED	C.M.W.
DRAWN	B.D.M./S.H.K.
CHECKED	C.M.W.



Hoelscher Engineering, P.C.
11 Executive Drive Suite 12
Fairview Heights, Illinois 62208
(618)624-9610 FAX: (618)624-8611

REVISIONS	
NAME	DATE

ILLINOIS DEPARTMENT OF TRANSPORTATION
BEARING DETAILS
WEST CORBIN STREET OVER F.A.P. 310 (I-255)
F.A.U. 8959 SECTION 05-00016-03-BR
MADISON COUNTY
STATION 36+23.37
STRUCTURE NO. 060-6851