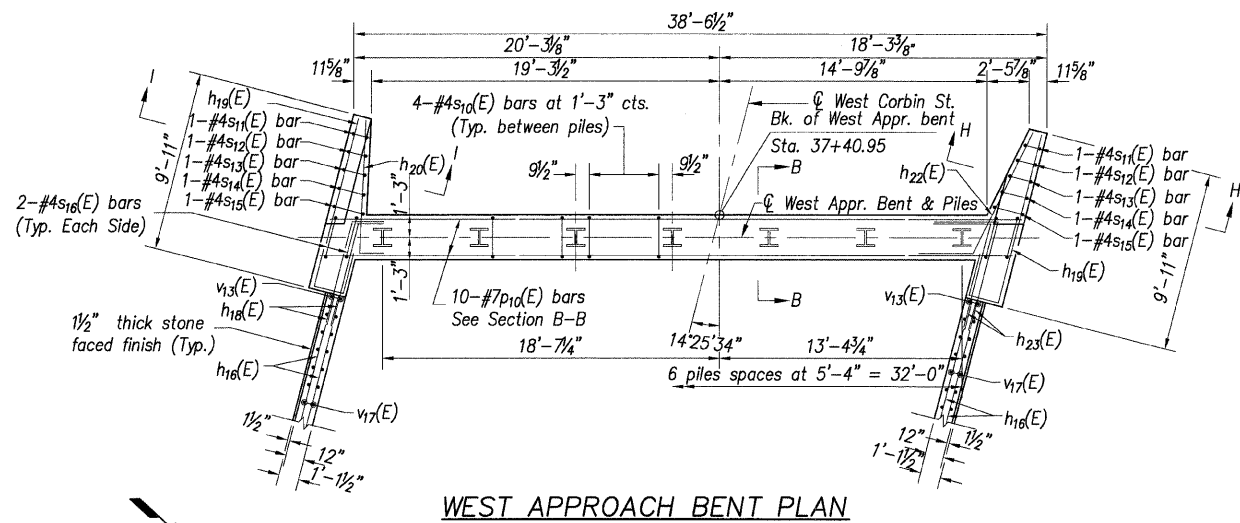
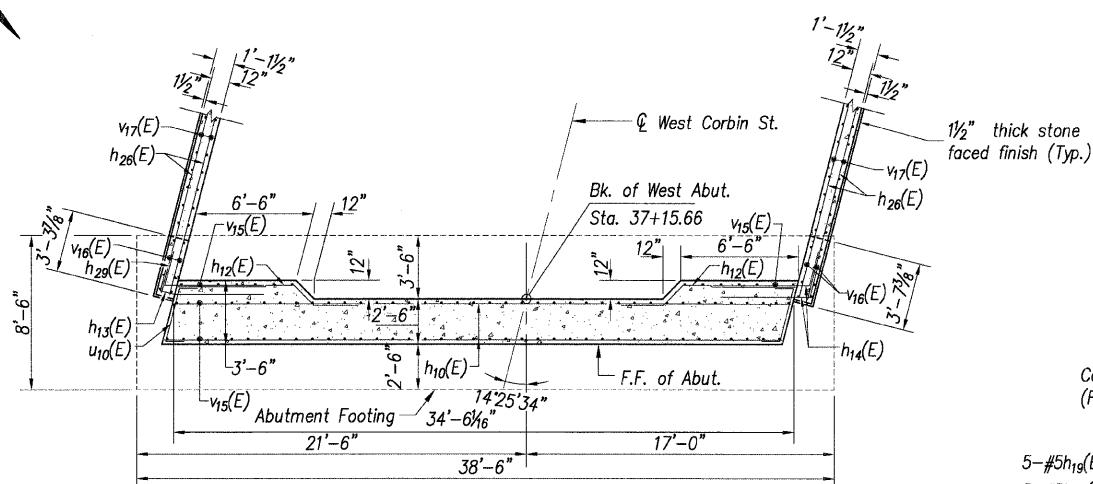


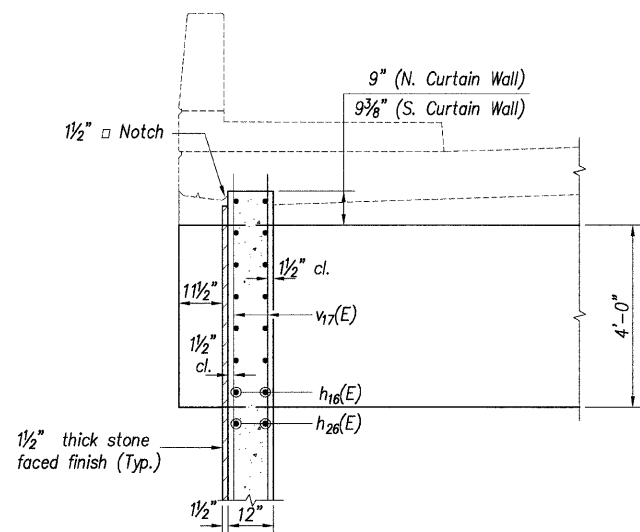
Contract # 97351



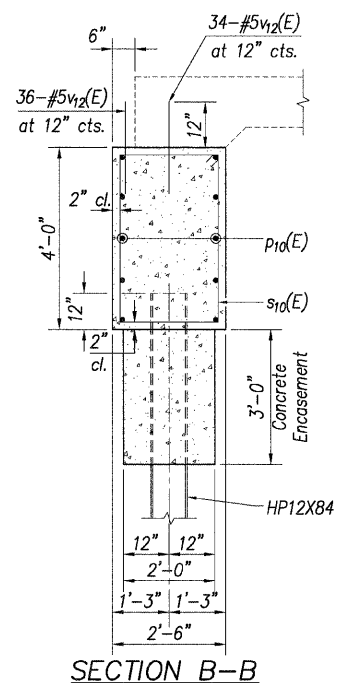
WEST APPROACH BENT PLAN



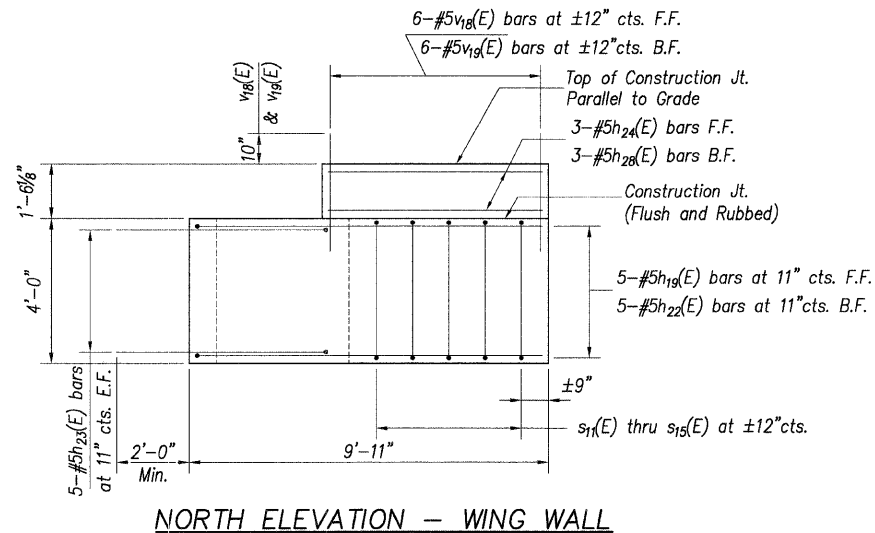
SECTION E-E



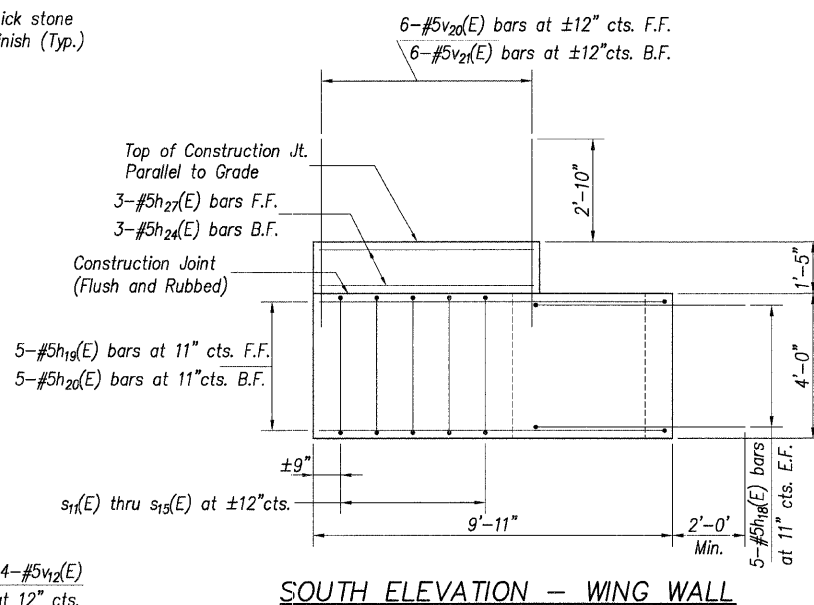
SECTION C-C



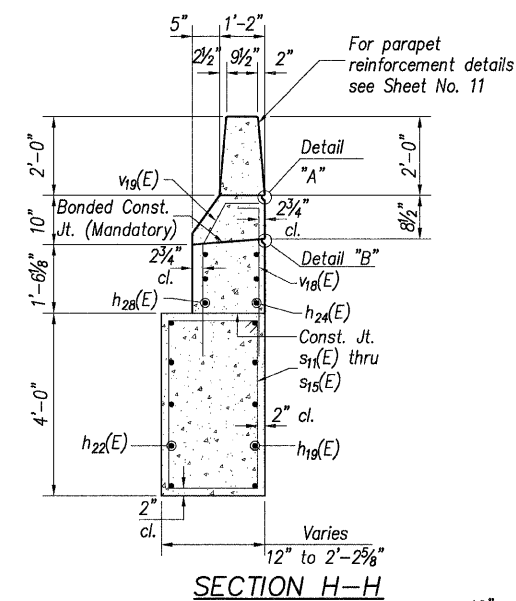
SECTION B-B



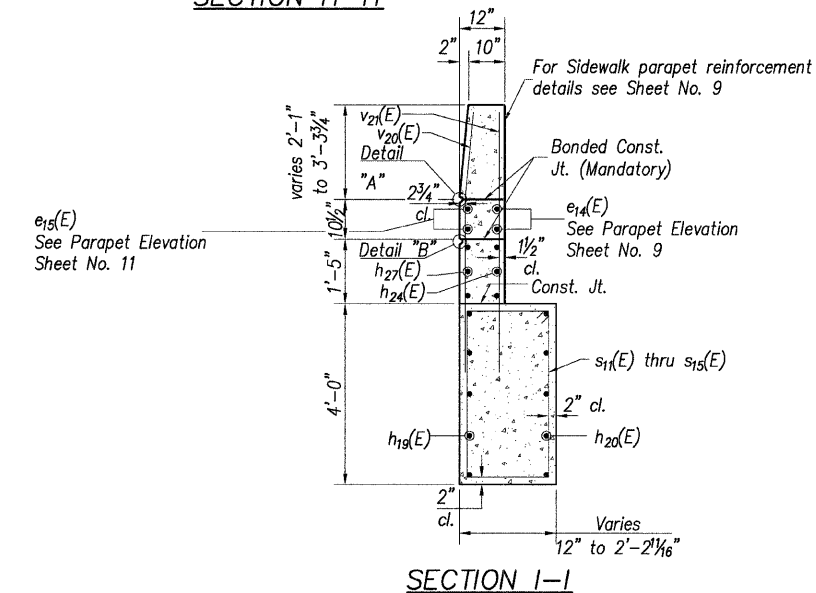
NORTH ELEVATION - WING WALL



SOUTH ELEVATION - WING WALL



SECTION H-H



SECTION I-I

NOTES

1. F.F. denotes Front Face
B.F. denotes Back Face
E.F. denotes Each Face
2. For Bill of Material see Sheet No. 23.
3. For location of Sections C-C and E-E see Sheet No. 17.
4. For abutment plan and elevation see Sheet No. 17.
5. For additional wing wall details see Sheet No. 18.
6. For details "A" and "B" see Sheet No. 11.
7. Reinforcement bars designated (E) shall be epoxy coated.
8. For stone faced finish details see Special Provisions.
9. For pile details see Sheet No. 25.

DESIGNED	T.M.M.
CHECKED	C.M.W.
DRAWN	B.D.M./S.H.K.
CHECKED	C.M.W.



Hoelscher Engineering, P.C.

11 Executive Drive Suite 12
Fairview Heights, Illinois 62208
(618)624-8610 FAX: (618)624-8611

REVISIONS	
NAME	DATE

ILLINOIS DEPARTMENT OF TRANSPORTATION
WEST ABUTMENT DETAILS
WEST CORBIN STREET OVER F.A.P. 310 (IL-255)
F.A.U. 8959 SECTION 05-00016-03-BR
MADISON COUNTY
STATION 36+23.37
STRUCTURE NO. 060-6851