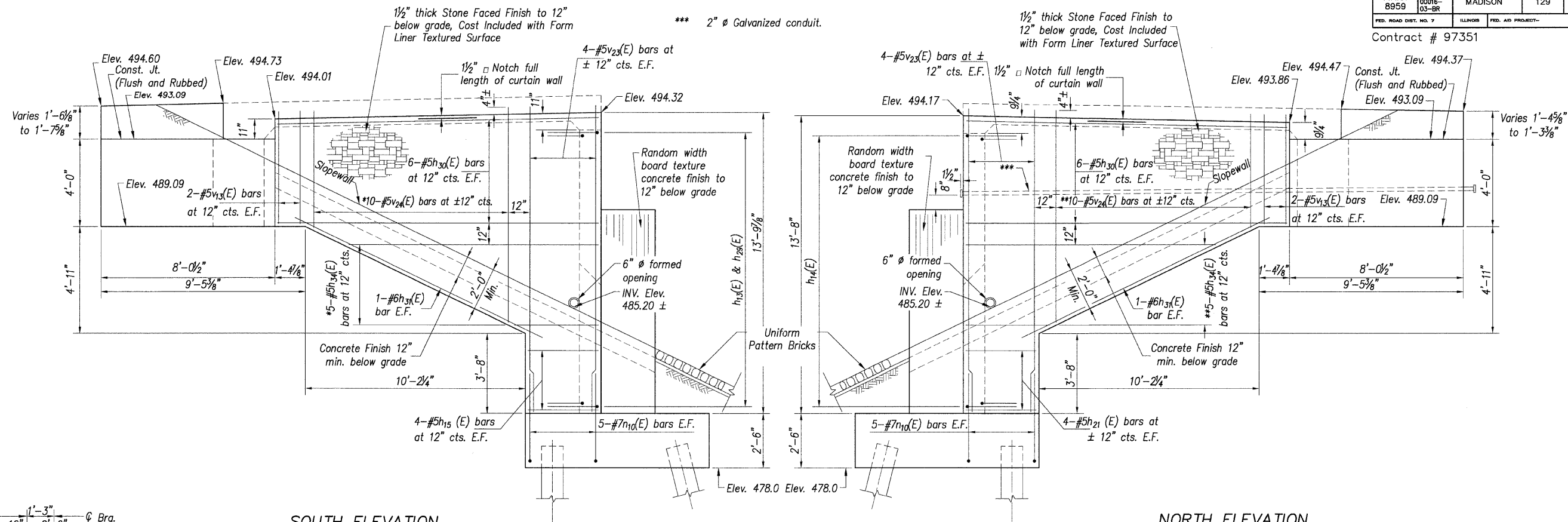


ROUTE NO.	SECTION	COUNTY	TOTAL SHEETS	SHEET NO.
F.A.U. 8959	05-00016-03-BR	MADISON	129	72
FED. ROAD DIST. NO. 7	ILLINOIS	FED. AID PROJECT-		

SHEET NO. 21
30 SHEETS

Contract # 97351

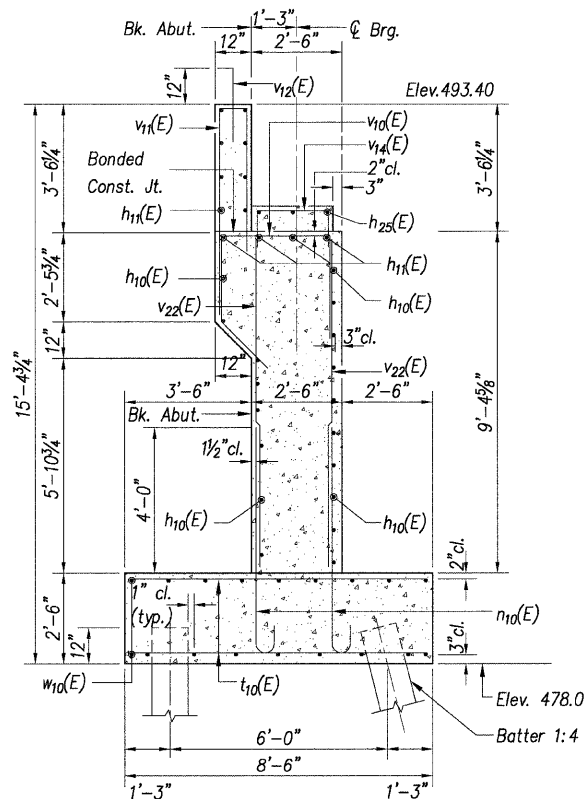


SOUTH ELEVATION

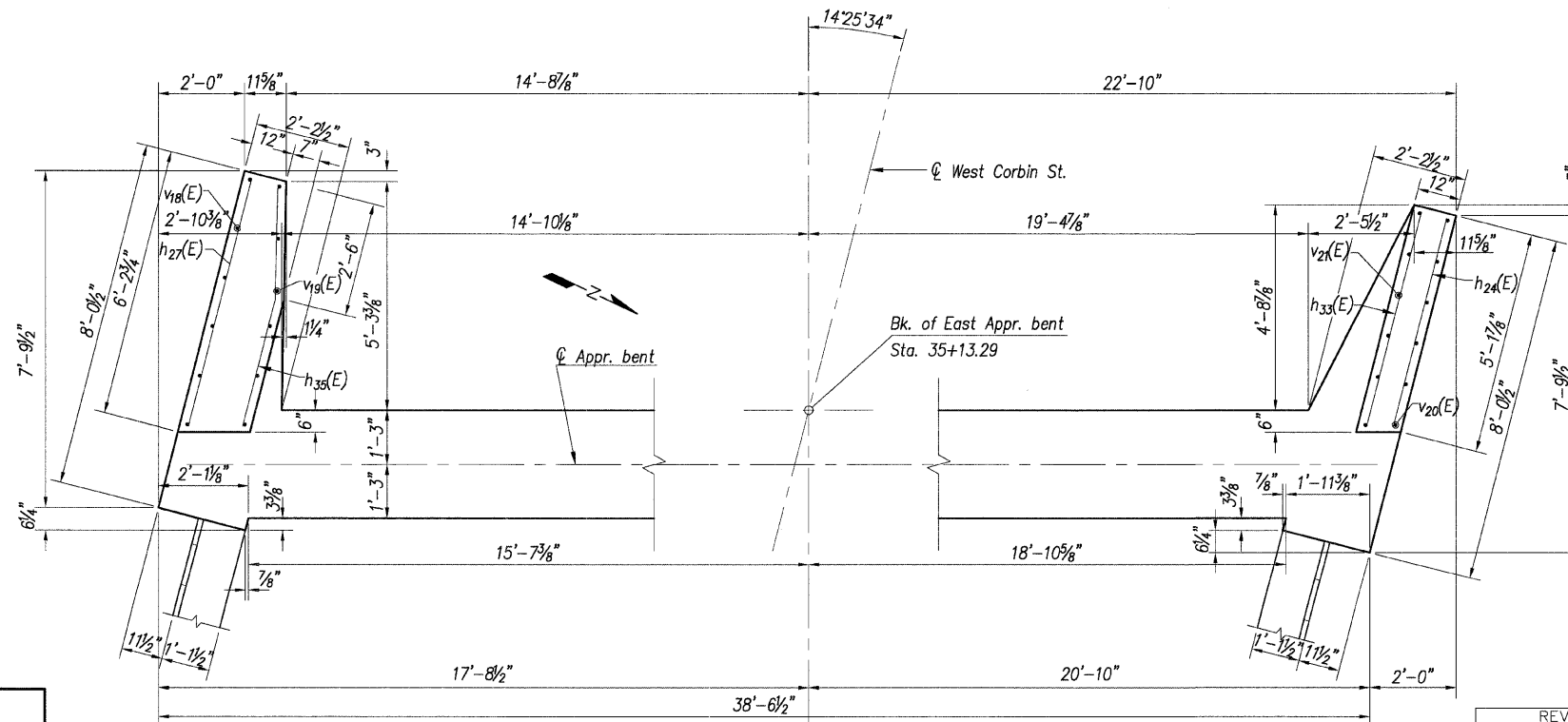
* Order $h_{34}(E)$ & $v_{24}(E)$ bars full length. Cut to fit as shown on field cutting diagram Sheet No. 23, and use remainder of bars in other face.

NORTH ELEVATION

** Order $h_{34}(E)$ & $v_{24}(E)$ bars full length. Cut to fit as shown on field cutting diagram Sheet No. 23, and use remainder of bars in other face.



SECTION A-A



WING WALL DETAILS

NOTES

1. For abutment plan and elevation see Sheet 18.
2. F.F. denotes Front Face
B.F. denotes Back Face
E.F. denotes Each Face
3. For Bill of Material see Sheet No. 23.
4. For location of Section A-A see Sheet No. 20.
5. Reinforcement bars designated (E) shall be epoxy coated.
6. For random width board texture and stone faced finish details see Special Provisions.

DESIGNED	T.M.M.
CHECKED	C.M.W.
DRAWN	B.D.M./S.H.K.
CHECKED	C.M.W.



Hoelscher Engineering, P.C.

11 Executive Drive Suite 12
Fairview Heights, Illinois 62208
(618)624-8610 FAX: (618)624-8611

REVISIONS	
NAME	DATE

ILLINOIS DEPARTMENT OF TRANSPORTATION
EAST ABUTMENT DETAILS
 WEST CORBIN STREET OVER F.A.P. 310 (L-255)
 F.A.U. 8959 SECTION 05-00016-03-BR
 MADISON COUNTY
 STATION 36+23.37
 STRUCTURE NO. 060-6851